

# Hour meters / timers, electromechanical

<b>Timers, round design</b>	<b>High protection rating (AC+DC)</b>	<b>HR 76</b>
-----------------------------	---------------------------------------	--------------



The hour meter HR 76 feature a very high shock resistance.

These panel-mount counters for round panel cut-outs can be used in many different fields of application. These non-resettable counters are very robust and extremely tamper-proof.

### Characteristics

- 6-digit hour meter.
- Low cost.
- High shock resistance.
- Low energy consumption.
- Magnified large figures.
- Protection IP65.
- Data retention in case of power failure.
- Long service life.

### Benefits

- 50/60 Hz in the same device.
- Small mounting depth.
- Waterproof on the front and on the rear.


### Applications

Operating hours measurement with construction and agricultural machinery, compressors, power units.

### Type series

Description	Mounting	Type
Timer, round	screw mounting front side	<b>HR 76.1</b>
Timer, round	clip mounting	<b>HR 76.2</b>

### Accessories

		Type / size	Description		Order no.
<b>Mounting support</b> (only HR 76.2)			for round counters with cutout $\varnothing$ 53 mm	black	<b>N510199</b>
<b>Gasket counter</b> (only HR 76.1)		<b><math>\varnothing</math> 71,1 mm [2.80"]</b>	for cut-out $\varnothing$ 50 mm		<b>N511150</b>

## Hour meters / timers, electromechanical

<b>Timers, round design</b>	<b>High protection rating (AC+DC)</b>	<b>HR 76</b>
-----------------------------	---------------------------------------	--------------

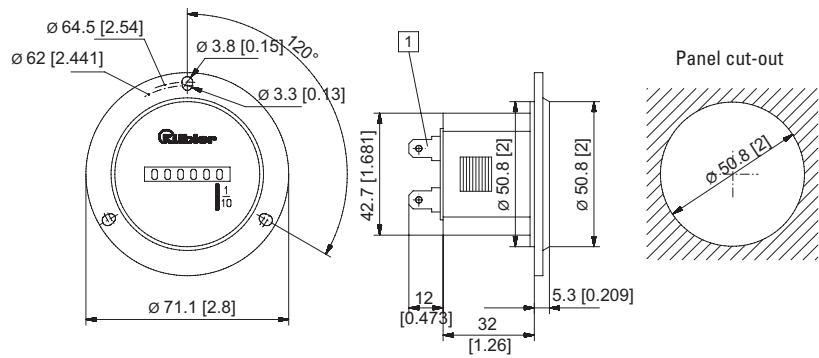
Technical data							
<b>Electrical connection</b>	flat pin 0.8 x 6.3 mm [0.031 x 0.25"]						
<b>Power consumption</b>	<table border="0"> <tr> <td>AC</td> <td>max. 0.4 VA</td> </tr> <tr> <td>12 V DC</td> <td>max. 0.08 W</td> </tr> <tr> <td>48 V DC</td> <td>max. 0.7 W</td> </tr> </table>	AC	max. 0.4 VA	12 V DC	max. 0.08 W	48 V DC	max. 0.7 W
AC	max. 0.4 VA						
12 V DC	max. 0.08 W						
48 V DC	max. 0.7 W						
<b>Rated voltages</b>	<table border="0"> <tr> <td>AC (50 or 60 Hz)</td> <td>115/230 V AC, ±10 %, 50/60 Hz</td> </tr> <tr> <td>DC</td> <td>10 ... 80 V DC</td> </tr> </table>	AC (50 or 60 Hz)	115/230 V AC, ±10 %, 50/60 Hz	DC	10 ... 80 V DC		
AC (50 or 60 Hz)	115/230 V AC, ±10 %, 50/60 Hz						
DC	10 ... 80 V DC						
<b>On time</b>	100 %						
<b>Number of digits</b>	6: 99999.9 h						
<b>Count mode</b>	adding						
<b>Height of figures</b>	3.5 mm [0.14"] heigh						
<b>Color of figures</b>	white on black						
<b>Reset</b>	no reset						

<b>Operating temperature</b>	-30 °C ... +65 °C [-22 °F ... +185 °F] (non-condensing)						
<b>Storage temperature</b>	-40 °C ... +85 °C [-40 °F ... +149 °F]						
<b>Relative humidity</b> at +25 °C [+77 °F]	≤ 95 % (non-condensing)						
<b>Altitude</b>	up to 2000 m [6562']						
<b>Mounting position</b>	any						
<b>Protection</b>	IP65 (except the connections)						
<b>Housing</b>	plastic PC (Polycarbonate)						
<b>Accuracy</b>	< 0.02 % over the full range						
<b>Weight</b>	<table border="0"> <tr> <td>HR 76.1</td> <td>56 g [1.98 oz]</td> </tr> <tr> <td>HR 76.2</td> <td>54 g [1.91 oz]</td> </tr> </table>	HR 76.1	56 g [1.98 oz]	HR 76.2	54 g [1.91 oz]		
HR 76.1	56 g [1.98 oz]						
HR 76.2	54 g [1.91 oz]						
<b>EMC standards</b>	EN 55011 class B EN 61000-6-2, EN 61000-6-3 EN 61326-1						
<b>Device safety</b>	<table border="0"> <tr> <td>designed to</td> <td>EN 61010 part 1</td> </tr> <tr> <td>protection class</td> <td>2</td> </tr> <tr> <td>application area</td> <td>pollution level 2</td> </tr> </table>	designed to	EN 61010 part 1	protection class	2	application area	pollution level 2
designed to	EN 61010 part 1						
protection class	2						
application area	pollution level 2						
<b>UL approval</b>	file E128604						

# Hour meters / timers, electromechanical

**Timers, round design**      **High protection rating (AC+DC)**      **HR 76**

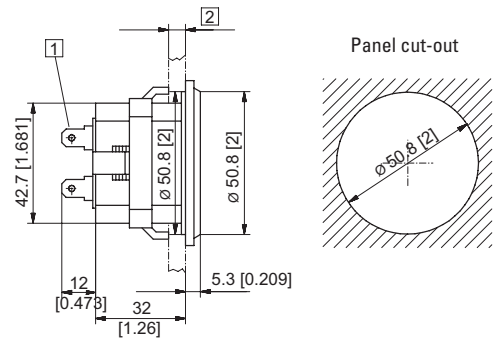
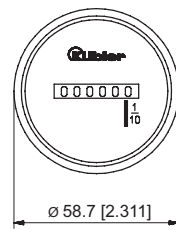
**Timer, round  
screw mounting front side  
Type HR 76.1**



1) Electrical connection: flat pin 0.8 x 6.3 [0.031 x 0.25]

Type	Display	Voltage	Art. no.			
			10 ... 80 V DC	115 V	230 V	
HR 76.1	6 digits	AC (50/60 Hz)		0.135.100.301 <sup>1)</sup>	0.135.100.302 <sup>1)</sup>	Gasket for front bezel N511150 not included in delivery
	6 digits	DC	0.135.100.373 <sup>1)</sup>			

**Timer, round  
clip mounting  
Type HR 76.2**



For mounting the counter onto a flat plate, see accessories chapter  
Art. no.: N510199

1) Electrical connection: flat pin 0.8 x 6.3 [0.031 x 0.25]      2) max. 9 [035]

Type	Display	Voltage	Art. no.			
			10 ... 80 V DC	115 V	230 V	
HR 76.2	6 digits	AC (50/60 Hz)		0.135.200.301 <sup>1)</sup>	0.135.200.302 <sup>1)</sup>	Gasket integrated in counter
	6 digits	DC	0.135.200.373 <sup>1)</sup>			