

## ML2-C



**UPC Code :** 078477987292

**Country Of Origin :** United States

**RoHS Compliant :** Yes

Mini Locking Connector, 15 Amp, 125 Volt, Industrial Grade, Black & White

15 Amp, 125 Volt, NEMA ML2R, 2P, 3W, Locking Connector, Industrial Grade, Grounding, MiniLock - BLACK-WHITE

Leviton's Black & White line of industrial grade plugs, connectors, flanged inlets, and outlets offer superior performance, long lasting reliability and features that are backed by a limited lifetime warranty:

<ul>

<li><span style="font-size:14px">One piece contacts reduce friction and overheating</span></li>

<li><span style="font-size:14px">Unique cord clamp accepts wide range of cord sizes</span></li>

<li><span style="font-size:14px">Rugged nylon construction resists impact, sunlight, chemicals, and rough use</span></li>

<li><span style="font-size:14px">Industry exclusive limited lifetime warranty</span></li>

<li><span style="font-size:14px">Made proudly in the USA</span></li>

</ul>

### Technical Information

#### Electrical Specifications

**Amperage :** 15 A

**Current Interrupting :** Certified for current interrupting at full rated current

**Dielectric Voltage :** Withstands 2000V per UL498

**Grounding :** Grounding

**Pole :** 2

**Temperature Rise :** Max 30C at 250 cycles OL at 200 pct rated current

**Voltage :** 125 VAC

**Wire :** 3

#### Environmental Specifications

**Environment :** Dry

**Flammability :** Rated HB or better UL94

**Operating Temperature :** -40°C to 60°C

#### Material Specifications

**Assembly Screws :** Steel, Zinc Plated

**Back Cover :** Thermoplastic

**Blades/Contacts :** Solid Brass

**Body Material :** Impact Modified Nylon

**Clamp Insert :** Nylon

**Color :** Black-White

**Cord-Clamp :** Nylon

**Terminal Screws :** Brass

**Wire Module :** Nylon

#### Mechanical Specifications

**Cord Range :** .218 - .430

**Product ID :** Ratings and NEMA I.D. permanently marked on device

**Screw Terminal Torque :** 10-12 in-lbs

**Terminal Accom. :** 18-14 AWG

**Terminal ID :** Brass-Hot, Green-Ground, Silver-Neutral

**Wire Gauge :** 18-14 AWG

#### Product Features

**Brand :** Black and White

**Color :** Black-White

**Device Type :** Locking Connector

#### Standards and Certifications

**ANSI :** C-73

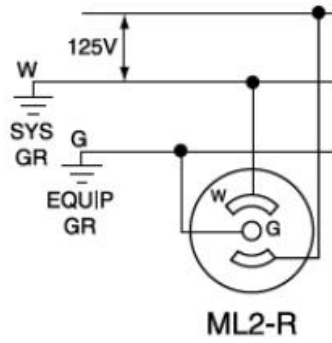
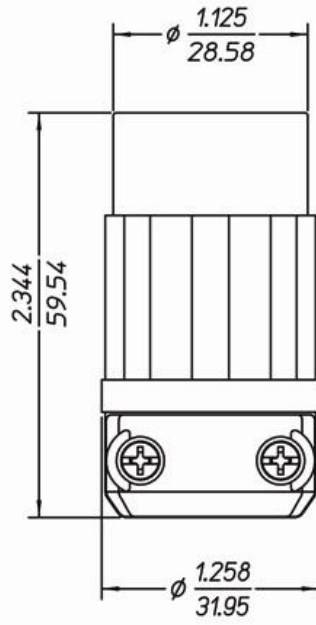
**CSA C22.2 No. 42 :** File LR-406

**NEMA :** WD-6

**NOM :** 057

**UL Fed Spec WC-596 :** File E13393

**Warranty :** Limited Lifetime Warranty



**SPECIFICATION SUBMITTAL**

JOB NAME: <input type="text"/>	CATALOG NUMBERS: <input type="text"/>	
JOB NUMBER: <input type="text"/>	<input type="text"/>	<input type="text"/>

**Leviton Manufacturing Co., Inc.**

201 North Service Road, Melville, NY 11747

Telephone: +1-800-323-8920 · FAX: +1-800-832-9538 · Tech Line (8:30AM-7:30PM E.S.T. Monday-Friday):  
+1-800-824-3005

**Leviton Manufacturing of Canada, Ltd.**

165 Hymus Boulevard, Pointe Claire, Quebec H9R 1E9 · Telephone: +1-800-469-7890 ·  
FAX: +1-800-824-3005 · [www.leviton.com/canada](http://www.leviton.com/canada)

**Leviton S. de R.L. de C.V.**

Lago Tana 43, Mexico DF, Mexico CP 11290 · Tel.: (+52)55-5082-1040 · FAX: (+52)5386-  
1797 · [www.leviton.com.mx](http://www.leviton.com.mx)

**Visit our Website at: [www.leviton.com](http://www.leviton.com)**

© 2021 Leviton Manufacturing Co., Inc. All Rights Reserved. Subject to change without notice.

**Leviton has a global presence.**

If you would like to know where your local Leviton office is located please go to:  
[www.leviton.com/international/contacts/](http://www.leviton.com/international/contacts/)

