

- NOTES:**
- MATERIALS:
HOUSING - THERMOPLASTIC, BLACK
TERMINALS - COPPER ALLOY, GOLD PLATED
 - SUPPLIED ON TAPE AND REEL, SEE SHEET 2.
 - THIS PRODUCT IS RoHS COMPLIANT.

**PCB LAYOUT
COMPONENT SIDE**

SCHEMATIC

CUSTOMER DRAWING

REV	ECO NUMBER	DATE	BY	APVD
A	28481	03/03/22	PC	TJK

UNLESS OTHERWISE SPECIFIED

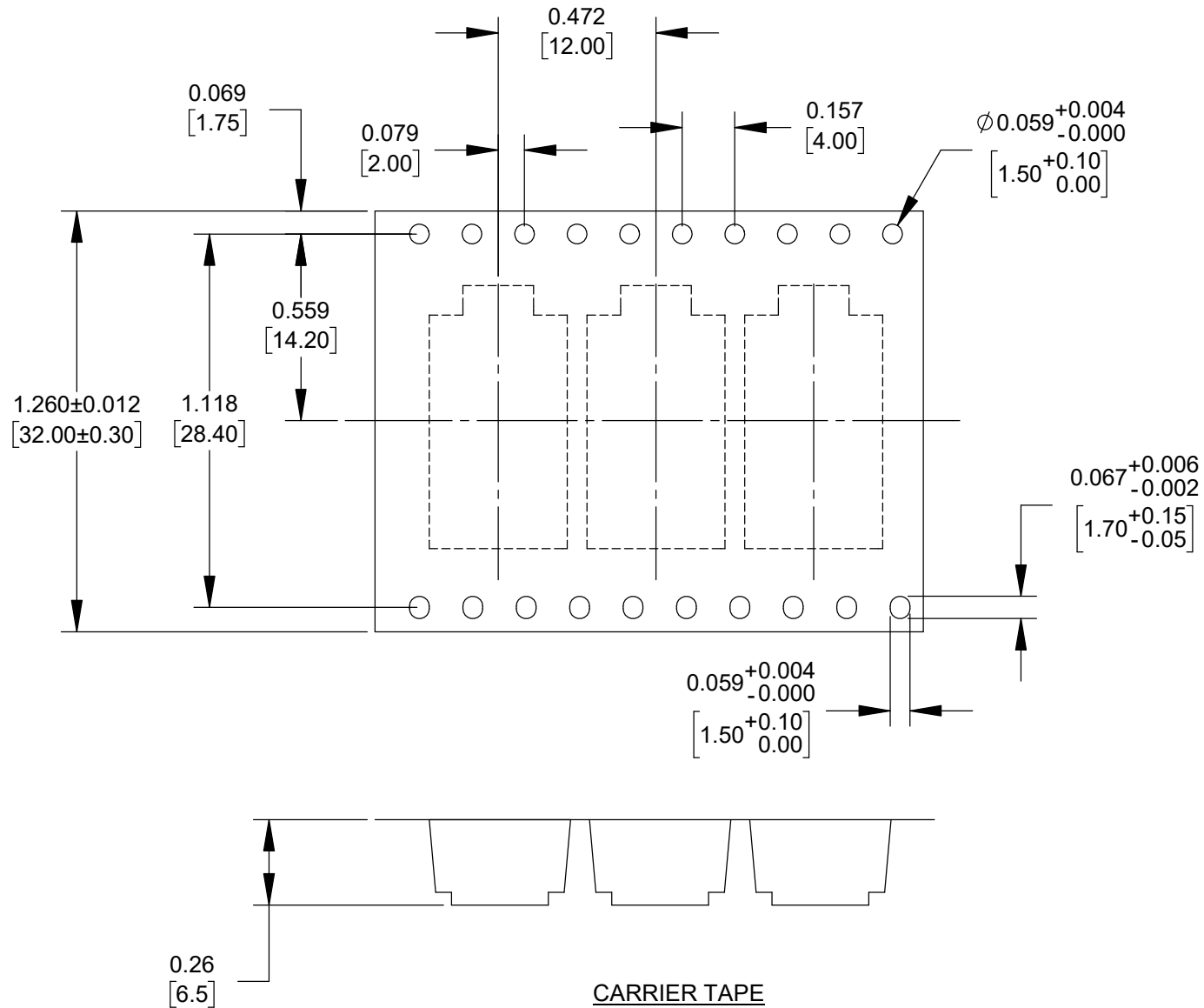
1. ALL DIMENSIONS IN INCHES [mm]
 - TWO PLACE DECIMALS ±0.02 [0.5]
 - THREE PLACE DECIMALS ±0.005 [0.13]

DO NOT SCALE DRAWING

THIS DRAWING DESCRIBES A DESIGN CONSIDERED PROPRIETARY IN NATURE, DEVELOPED AND MANUFACTURED BY SWITCHCRAFT INC. AND IS RELEASED ON A CONFIDENTIAL BASIS FOR IDENTIFICATION PURPOSES ONLY.				
SIZE	WIDTH	MULT	LBS/M	TEMPER
FINISH SPEC No.		MATERIAL SPEC No.		
FIRST USED ON		SCALE 6:1		
DATE DRAWN	BY	CHKD	APVD	
10/27/21	TS	TS	TJK	
		10/27/21	3/1/22	
NAME 3.5MM JACK, 4 CONDUCTOR, SURFACE MOUNT, RoHS			PART No. 35RASMT8CHNTRX	REV A

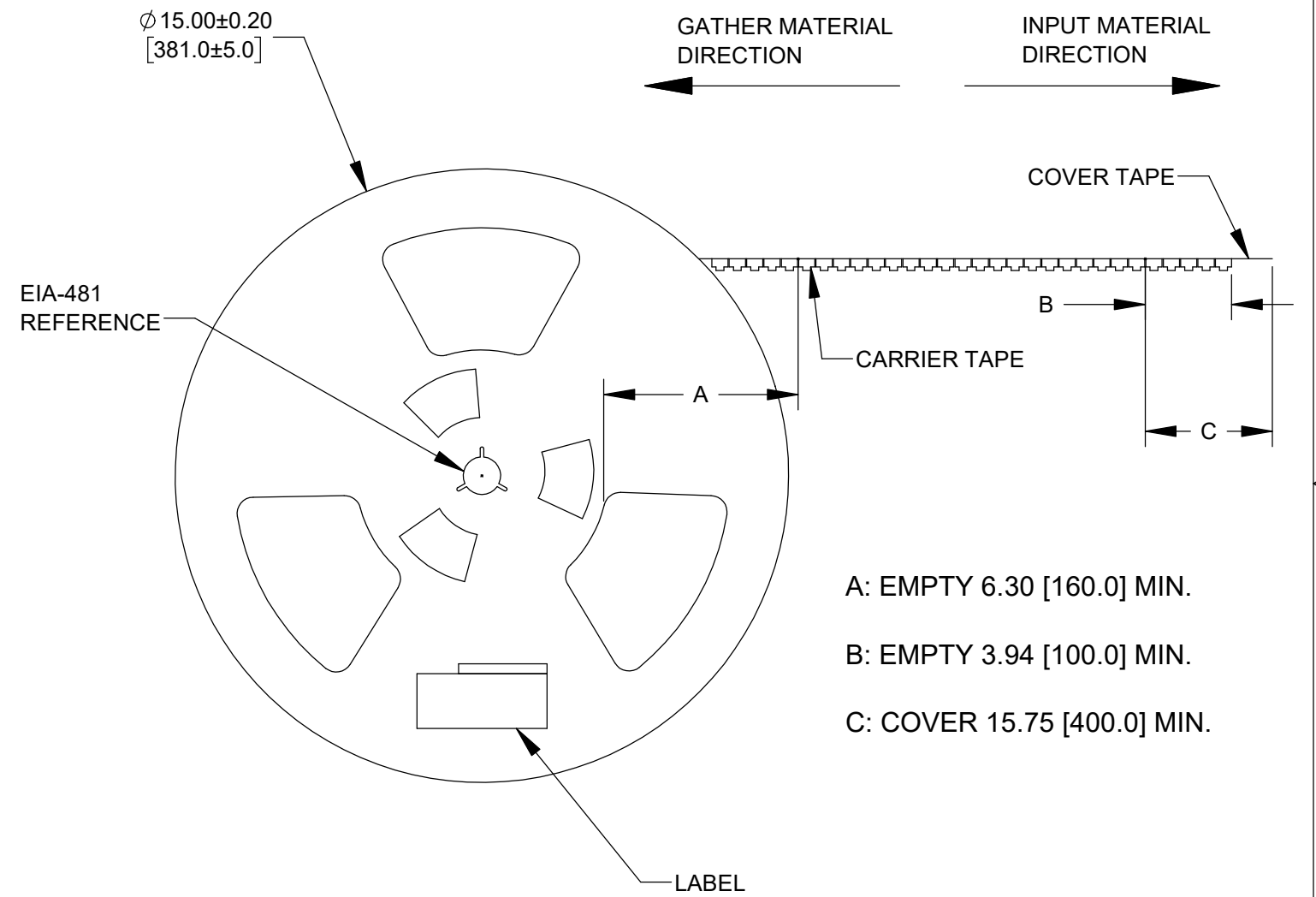
A: CARRIER SIZE

1. DETAIL SIZE REFERENCES: EIA-481
2. SPECIFICATIONS: 32 MM X 12 MM
3. COVER TAPE: SPECIFICATION ATTACHED (CONDUCTIVE)



B: REEL SIZE

1. QUANTITY: 1000 PCS/REEL
2. MATERIAL: THERMOPLASTIC



- A: EMPTY 6.30 [160.0] MIN.
- B: EMPTY 3.94 [100.0] MIN.
- C: COVER 15.75 [400.0] MIN.

CUSTOMER DRAWING

SCALE 2:1	Switchcraft [®]	
DATE DRAWN 10/27/21		
DRAWN BY TS	PART No. 35RASMT8CHNTRX	REV A