

Twist-Lock[®] *Edge* Series

Twist-Lock[®] Devices with Screwless Terminations



Twist-Lock® devices with screwless terminations

Hubbell's innovative, patented Twist-Lock® Edge series devices with screwless terminations are the fastest termination devices on the market. Strong steel springs continuously apply pressure to wires, ensuring a strong connection in the most abusive environments.

AVAILABLE DEVICES



RECEPTACLES

Available in 3, 4, and 5 wire configurations, these receptacles fit in standard depth boxes



PLUGS

Cord mounted plugs include funneled wire entry to direct conductor strands as well as molded in leverage points for easy unwiring



FLANGED INLETS

Designed with easy termination access in the back of the device with laser etched terminal markings for clear identification of correct wiring

PATENTED

Hubbell is the only North American electrical device manufacturer offering a screwless termination within a NEMA wiring device

GET THE TWIST-LOCK EDGE



On Speed

Improve your installation time by over 80%—technicians can terminate completely by hand without a torque driver



On Safety

Consistent reliable connection; no exposed live metal on the receptacle



On Durability

Wires stay tight for the long term, regardless of vibration, temperature cycling or strand relaxation



On Reliability

Same great quality you have come to expect from Hubbell

*With this new termination method, NEC code 110.14(D) "Terminal connection torque" requiring the use of a torque driver to secure the terminations is no longer applicable.



FOOD PROCESSING



ORIGINAL EQUIPMENT MANUFACTURING (OEM)



INDUSTRIAL MANUFACTURING



ENTERTAINMENT

For every application

Applications subject to vibration or thermal cycling benefit from increased performance and productivity savings with Hubbell's Edge technology. Perfect for use in power distribution systems, for powering motor drives, or simply installing equipment on the production floor.



OEMs

Save money with 80% reduction in installation time, while providing consistently reliable connections



ELECTRICIANS

Terminate in just 11 seconds, no torque screwdriver required, with no exposed live metal



ELECTRICAL CONTRACTORS

Ensure quick yet reliable installations, even in harsh environments

CERTIFICATIONS



LISTED TO UL 498



VERIFIED TO FEDERAL SPECIFICATION W-C-596H

(Plugs and flanged inlets only)



CERTIFIED TO CSA C22.2 NO.42



Super fast connections for greater efficiency

For decades, installers have had to spend considerable time wiring each screw and torquing it down with a screwdriver or torque wrench, with the responsibility of measuring and ensuring the integrity of each connection. Even experienced installers needed well over a minute to terminate one device.

With the Twist-Lock Edge Screwless Termination system, simply insert the wire and press the plunger down. No tools are required. That connection is fool-proof and long lasting, with no special experience or skills needed to all but guarantee a high quality result. Any qualified installer regardless of level of training can guarantee a high quality result. Elapsed time? About 11 seconds!

Labor savings, easy as:



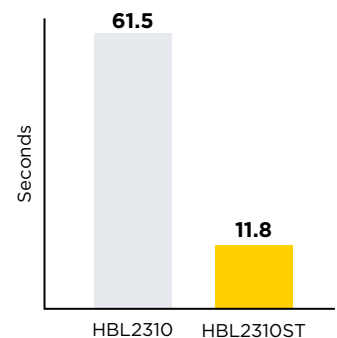
Simply move the plunger upwards to unwire



With this new termination method, NEC® code 110.14(D) “Terminal connection torque” requiring the use of a torque driver to secure the terminations is no longer applicable.

Time study analysis

	Screw Terminated Device	Screwless Terminated Device
Example catalog number	HBL2310	HBL2310ST
	Seconds	Seconds
Time per pc	61.5	11.8



Seconds saved with Screwless Termination, per piece

49.7

Improve labor time on a repetitive, time consuming task by 80%!

The highest reliability— even under constant vibration!

The terminations are tight from day one and stay tight, gripping hard to keep the power flowing even through high vibration environments that can steadily work wires loose and cause unscheduled downtime.

Wires secured with Hubbell Twist-Lock Edge screwless termination devices not only stay tight, they actually dig in and get tighter in the face of the relentless vibration from industrial equipment which constantly threatens the integrity of traditional connections.

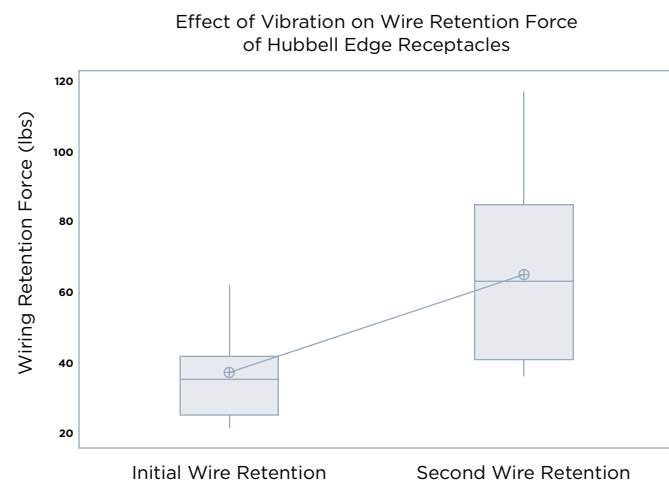
Throughout industry, vibration is generally expected to degrade, not improve, a product's performance in every instance. Not with Hubbell Twist-Lock Edge devices—tough environments just make them perform even better and even more reliably for our users.

Similar performance is also demonstrated in the face of related industrial threats such as temperature cycling and strand relaxation. No matter what the environment, with Twist-Lock Edge devices you won't have to go back and retighten—just install once and you're all set.



Vibration performance

25%-60% higher retention

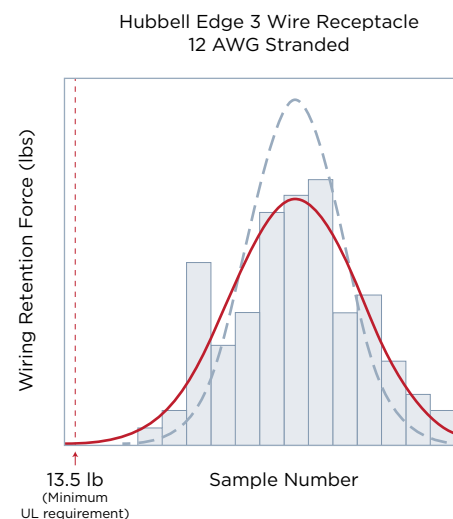


Upon installation, a 10 AWG THHN stranded wire required 40 lbs of force to disengage.

After exposure to vibration per the UL standard, 65 lbs of force were required to disengage the wire.

Wire retention

13.5 lb UL minimum requirement



When compared to the minimum UL requirement for wire retention, Twist-Lock Edge screwless termination offers superior strength.

Plugs and flanged inlets

4 and 5 wire plugs and flanged inlets will bring enormous benefits to more users than ever before—such as OEMs and machine manufacturers, maintenance and repair operations, builders and other professionals who must efficiently and cost-effectively install up to thousands of plugs every day.

ORDERING INFORMATION

Twist-Lock® Insulgrip® Plugs

Description	Poles/Wires	Rating	20 Amp	30 Amp
Spring termination locking plugs	3P/4W	125/250V	HBL2411ST	HBL2711ST
		3Ø 250V	HBL2421ST	HBL2721ST
		3Ø 480V	HBL2431ST	HBL2731ST
	4P/5W	3ØY 120/208V	HBL2511ST	HBL2811ST
		3ØY 277/480V	HBL2521ST	HBL2821ST



Twist-Lock® Flanged Inlets

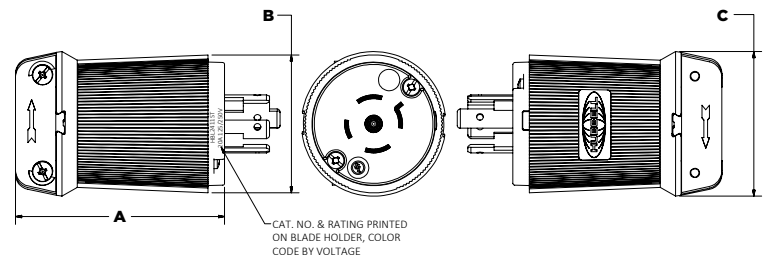
Description	Poles/Wires	Rating	20 Amp	30 Amp
Spring termination locking flanged inlets	3P/4W	125/250V	HBL2415ST	HBL2715ST
		3Ø 250V	HBL2425ST	HBL2725ST
		3Ø 480V	HBL2435ST	HBL2735ST
	4P/5W	3ØY 120/208V	HBL2515ST	HBL2815ST
		3ØY 277/480V	HBL2525ST	HBL2825ST



SPECIFICATIONS

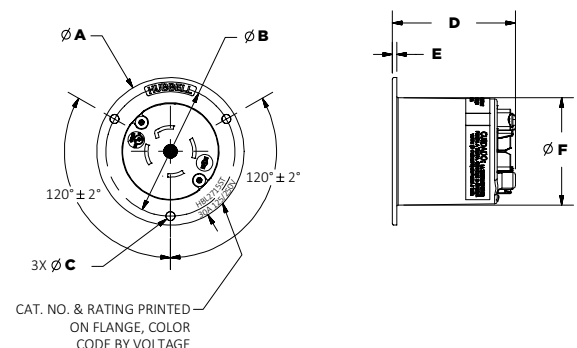
Product Dimensions Inches (mm)

Catalog Number	Amps	A	B	C
HBL2411ST	20A	3.38" (85.7)	2.22" (56.5)	2.33" (59.2)
HBL2421ST				
HBL2431ST				
HBL2511ST				
HBL2521ST				
HBL2711ST	30A	3.38" (85.7)	2.22" (56.5)	2.33" (59.2)
HBL2721ST				
HBL2731ST				
HBL2811ST				
HBL2821ST				



Product Dimensions Inches (mm)

Catalog Number	Amps	A	B	C	D	E	F
HBL2415ST	20A	3.06" (77.8)	2.69" (68.2)	.186" (4.7)	2.47" (62.7)	.09" (2.4)	2.23" (56.6)
HBL2425ST							
HBL2435ST							
HBL2515ST	20A	3.06" (77.8)	2.69" (68.2)	.186" (4.7)	2.64" (67.0)	.09" (2.4)	2.23" (56.6)
HBL2525ST							
HBL2715ST	30A	3.06" (77.8)	2.69" (68.2)	.186" (4.7)	2.56" (65.0)	.09" (2.4)	2.23" (56.6)
HBL2725ST							
HBL2735ST							
HBL2815ST	30A	3.06" (77.8)	2.69" (68.2)	.186" (4.7)	2.64" (67.0)	.09" (2.4)	2.23" (56.6)
HBL2825ST							



Certifications

cULus Listed by UL to UL498 and CSA C22.2 No. 42.
 Indoor Dry environment unless protected by additional means.
 Meets performance requirements of Federal Specification W-C-596

Receptacles

3, 4, and 5 wire Twist-Lock Edge receptacles provide power for a variety of applications, including data center servers, entertainment power distribution, and industrial production equipment. OEMs that utilize these receptacles in their products instantly realize the time saves when wiring hundreds, if not thousands of these devices.

ORDERING INFORMATION

Twist-Lock® Single Receptacles

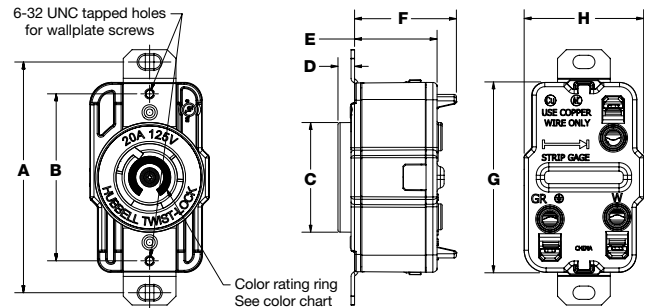
Description	Poles/Wires	Rating	20 Amp	30 Amp	
Spring termination locking receptacles	2P/3W	125V	HBL2310ST	HBL2610ST	
		250V	HBL2320ST	HBL2620ST	
	3P/4W	125/250V	HBL2410ST	HBL2710ST	
		3Ø 250V	HBL2420ST	HBL2720ST	
		3Ø 480V	HBL2430ST	HBL2730ST	
		3ØY 120/208V	HBL2510ST	HBL2810ST	
	4P/5W	3ØY 277/480V	HBL2520ST	HBL2820ST	
	Removal bridge, for use with all Twist-Lock Edge Series receptacles			HBLSTRB	



SPECIFICATIONS

Product Dimensions Inches (mm)

Catalog Number	Amps	A	B	C	D	E	F	G	H
HBL2310ST	20A	3.28"	2.38"	1.56"	.24"	1.17"	1.45"	2.77"	1.70"
HBL2320ST									
HBL2410ST									
HBL2420ST									
HBL2430ST									
HBL2510ST	30A	3.28"	2.38"	1.56"	.24"	1.26"	1.53"	2.77"	1.70"
HBL2520ST									
HBL2610ST									
HBL2620ST									
HBL2710ST									
HBL2720ST									
HBL2730ST									
HBL2810ST									
HBL2820ST									



Certifications

cULus Listed by UL to UL498 and CSA C22.2 No. 42.
Indoor Dry environment unless protected by additional means.



Twist-Lock® Edge Series

Twist-Lock® Devices with Screwless Terminations



ONLINE RESOURCES

The Hubbell Wiring Device-Kellems website offers the fast and convenient information through our online catalog, technical support, videos and more. Visit www.hubbell.com/wiringdevice-kellems.



ONLINE RESOURCES



VIDEO

CONTACT US

Count on Hubbell Wiring Device-Kellems for the most reliable and innovative wiring device product line in North America.



custserv@hubbell.com



(800) 288-6000



Find your local representative at www.hubbell.com/wiringdevice-kellems

LITERATURE SUPPORT

Hubbell offers an extensive literature library for product support. Downloadable PDFs are available online.



Full Line Catalog



Safety Guide



Entertainment Guide



Insulgrip® Wiring Devices



Slide Selectors

Twist-Lock®
Devices

Kellems®
Mesh Grips

HUBBELL®
Wiring Device-Kellems

www.hubbell.com/wiringdevice-kellems

