

Wallplates
Weatherproof Covers for Duplex, GFCI,
Surge Receptacles and Style Line® Devices

HUBBELL

Ordering Information

Description	Catalog Number	UPC
1-gang, GFCI, Surge and Style Line® cover, vertical mounting	RW51040	883778119477

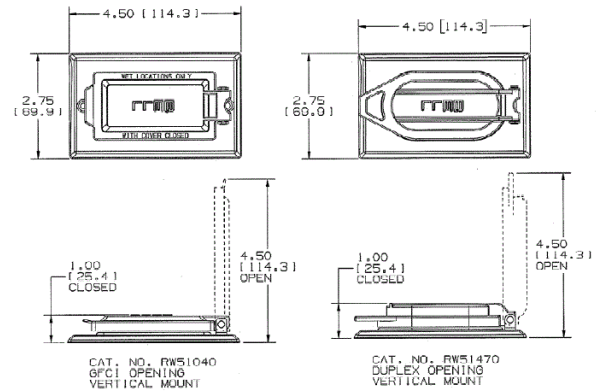


Listings

UL Listed
CSA Certified

Specifications

Material	Aluminum
Gasket	Foam
Mounting Screws	Zinc plated steel



Online Resources

Customer Use Drawing
eCatalog

Dimensions in Inches (mm)

Hubbell Wiring Device-Kellems • Hubbell Incorporated (Delaware) • 40 Waterview Drive • Shelton, CT 06484

Phone (800) 288-6000 • Fax (800) 255-1031 • Specifications subject to change without notice.

