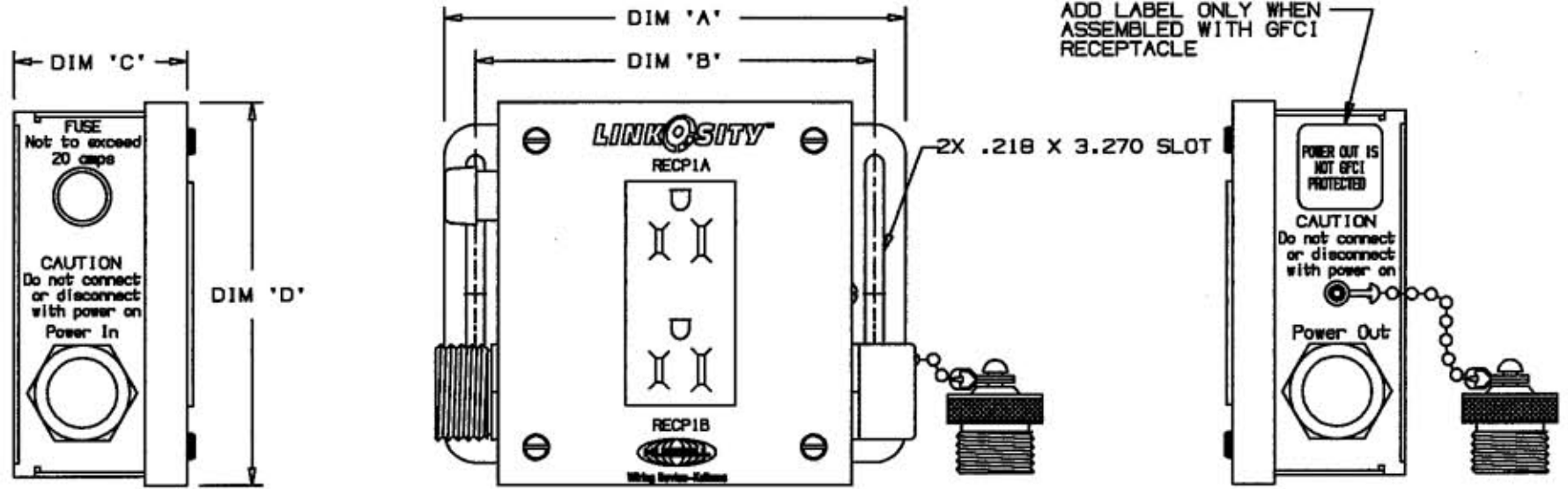


**M-9563 4**



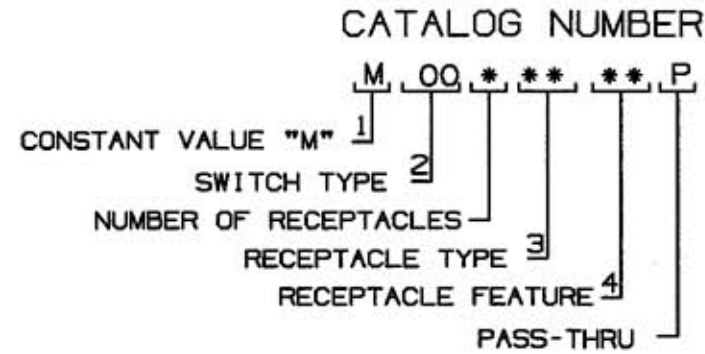
CATALOG NUMBER M001\*\*\*\*P SHOWN

CAT. NUMBER <sup>1</sup>	RECEPTACLES	DIMENSION 'A'	DIMENSION 'B'	DIMENSION 'C'	DIMENSION 'D'
M001****P	1	5.50 [139.7]	4.75 [120.7]	2.25 [57.2]	4.53 [115.1]
M002****P	2	7.50 [190.5]	8.75 [222.3]	2.25 [57.2]	4.53 [115.1]
M003****P	3	8.50 [215.9]	8.75 [222.3]	2.25 [57.2]	4.53 [115.1]
M004****P	4	11.50 [292.1]	10.75 [273.1]	2.25 [57.2]	4.53 [115.1]
M005****P	5	13.50 [342.9]	12.75 [323.9]	2.25 [57.2]	4.53 [115.1]

- NOTES:**
1. DIMENSIONS ARE IN INCHES & [MM].
  2. ALL DEVICES ARE UL LISTED.
  3. ENCLOSURES RATING: TYPE 1.
  4. DEVICES WITH ISOLATED GROUND RECEPTACLES HAVE INSULATED CONTINUOUS CONDUCTOR TO RECEPTACLE ISOLATED GROUND TERMINAL ORIGINATING FROM WN4, OTHERWISE A CONTINUOUS CONDUCTOR TO GROUND TERMINALS ORIGINATE FROM WN3.
  5. LINKOSITY™ IS A TRADEMARK OF LOCKHEED MARTIN.

**6** DO NOT USE GFCI RECEPTACLES WITH LED'S & GFCI RECEPTACLES WITHOUT LED'S IN THE SAME PSDA.

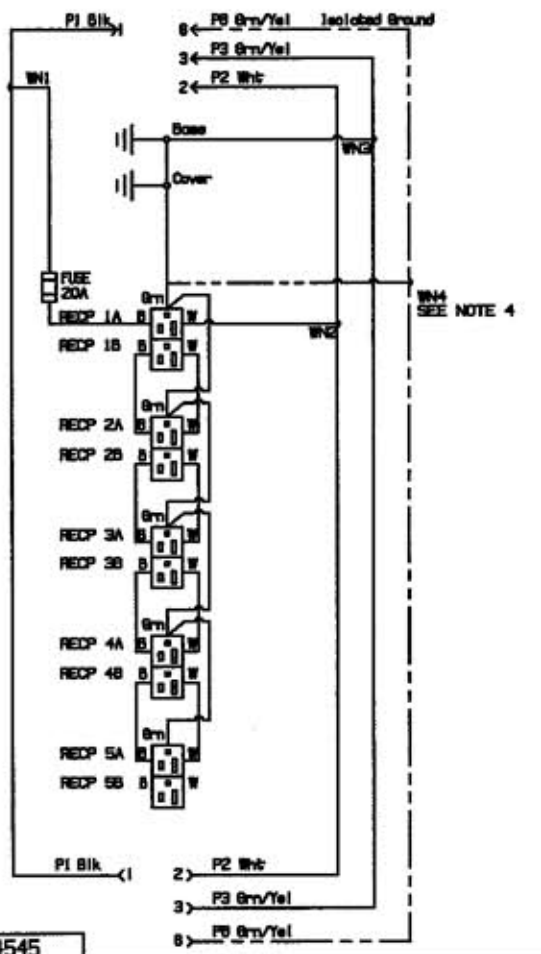
ADD LABEL ONLY WHEN ASSEMBLED WITH GFCI RECEPTACLE



<sup>2</sup> Switch Type	
SL = Local On/Off	HBL1221PL
ML = Master On/Off	HBL1221PL
00 = No Switch	N/A

	4 RECEPTACLE FEATURE	<sup>3</sup> Receptacle Type				
		CR Corrosion Resistant	HG Hospital Grade	SG Specification Grade	L1 NEMA L5-15R Twist Lock	L2 NEMA L5-20R Twist Lock
00 Standard		HBL53CM62	HBL8300GY	CR5362GY	HBL4700	HBL2310
IG Isolated Ground		N/A	IG8300GY	CR5362IGGY	IG4700A	IG2310
GF Ground Fault		N/A	GF8300GYA	<b>6</b> GFR5352GYL or GF20GYL	N/A	N/A
SI Surge Suppression Isolated Ground		N/A	IG8362GYSA	IG5352GYSA	N/A	N/A
SS Surge Suppression		N/A	HBL8362GYSA	HBL5362GYSA	N/A	N/A

LIST OF PARTS			
DESCRIPTION	MATERIAL	FINISH	
4	GFR5352GYL WAS "GFR5352GYA" ADD "OR GF20GYL" ADD NOTE 6, "DO NOT USE GFCI RECEPTACLES WITH LED'S & GFCI RECEPTACLES WITHOUT LED'S IN THE SAME PSDA." DCN 13548 GPK CH		CH 1/8/07
3	ADDED "CAUTION..." PAD PRINTING. REMOVED "PL1" FROM "POWER IN" PRINTING. REMOVED "RECP6" FROM "POWER OUT" PRINTING. "FUSE" PRINTING WAS "FUI". RELOCATED "FUSE..." PRINTING ABOVE THE FUSE. ADDED "...GFCI..." LABEL. REMOVED "PL1" & "RECP 6" FROM SCHEMATICS. "FUSE" WAS "FUI" ON SCHEM. "WN4 SEE NOTE 4" WAS "WN4". CAT. NO. "GFR5352GYA" WAS "CR5352GYA" PER DCN # 12680.		WRV 10/28/05
2	RECEPTACLE TYPE TABLE, COLUMN TITLE L1 WAS 15, L2 WAS 20 PER DCN 12328 SPN		JPP 4/28/05
1	RELEASED PER DCN 12049. MYA/RDK		10/21/04
SYM REVISIONS		APP	DATE
THE DESIGN AND DIMENSIONS OF THE PRODUCT SHOWN ON THIS DRAWING ARE SUBJECT TO CHANGE WITHOUT NOTICE			
TITLE			
20A PSDA W/PASS THRU			
TOLERANCES UNLESS OTHERWISE SPECIFIED		WIRING DEVICE-KELLEMS HUBBELL INCORPORATED BRIDGEPORT, CT	
<del>FRACTIONS 1/16"</del>		DR. BY MYA APP. BY RDK	
<del>DECIMALS .005</del>		TR. BY SCALE NONE	
<del>ANGLES 1/2°</del>		CHK'D BY RDK DATE 10/21/04	



DIMENSION SHEET FOR CAT. NO. M-9563  
 REPAIRABLE  NON-REPAIRABLE  B  
 4