

**MOSA M12 FEMALE 0° FIELD-WIREABLE (IDC)**4-pol. 0.25...0.5mm<sup>2</sup>

Female straight

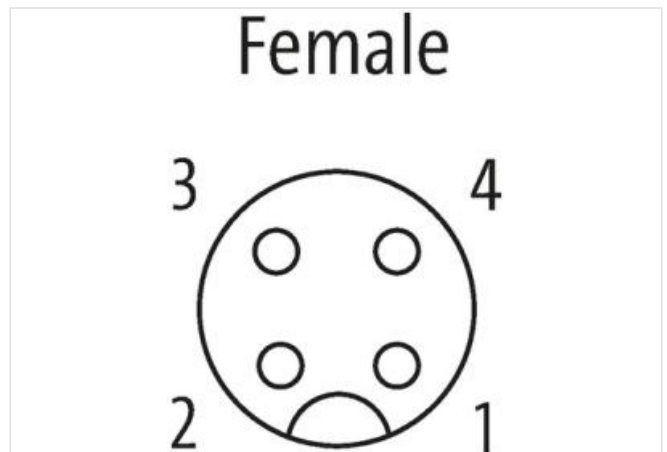
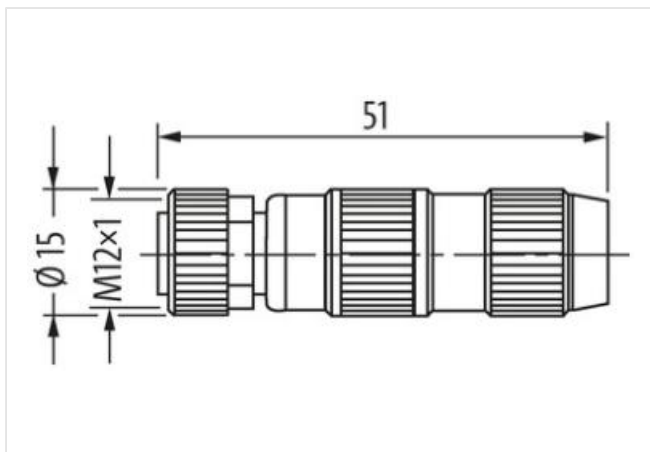
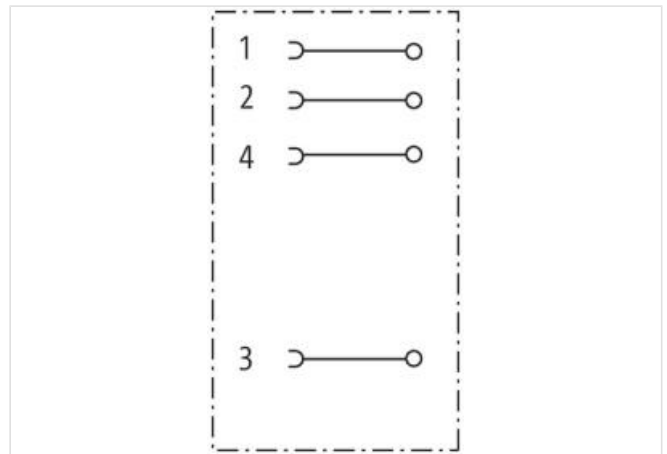
M12, 4-pole

IDC terminals

Connection cross section: 0.25...0.5 mm<sup>2</sup>

Art-No. 7005 - M12 Lite - (plastic hexagonal screw) on request

The resistance to aggressive media should be individually tested for your application. Further details on request.

**[Link to Product](#)****Illustration**

Product may differ from Image

**Form**

Form 12601

**Technical Data**

Operating voltage	max. 32 V AC/DC
Operating current per contact	max. 4 A
Locking of ports	Screw thread (M12×1 mm) recommended torque 0.6 Nm, self-securing
Connection cross section	0.25...0.5 mm <sup>2</sup> (conductor diameter min. 0.1 mm)
Sealing range (cable Ø)	4...5.1 mm
Protection	IP67 inserted and tightened (EN 60529)

Outer wire Ø 1.2...1.6 mm

**General data**

Temperature range -25...+85 °C

Dimensions H×W×D 51×15×15 mm

**Commercial data**

country of origin DE

customs tariff number 85366990

EAN 4048879201759

eClass 27279221

Packaging unit 1.000