



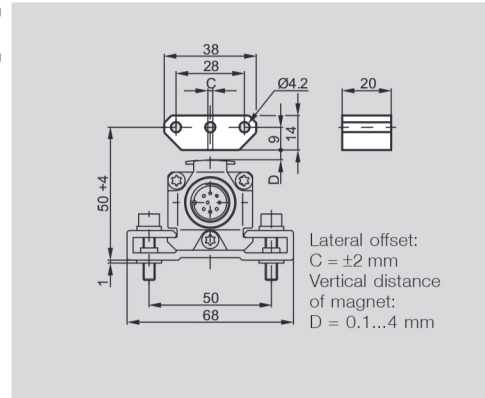
Micropulse P Style

Floating Magnets

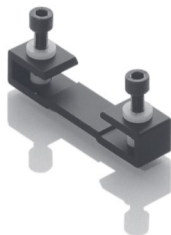
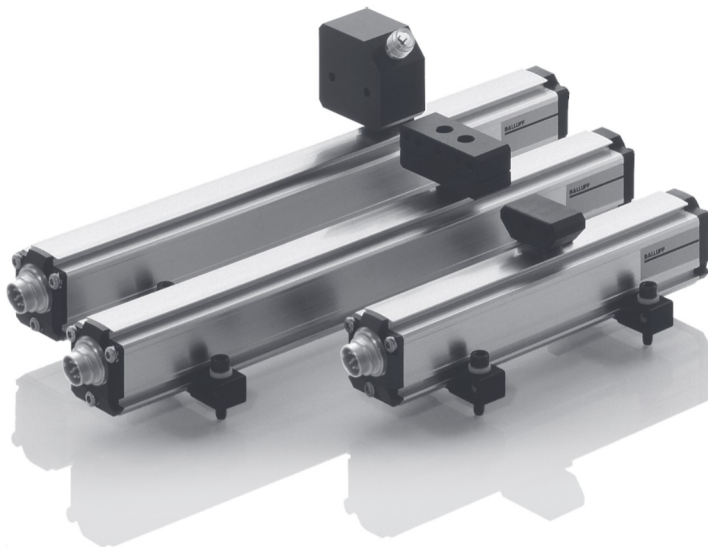
Balluff magnets are available in captive or floating styles. All BTL5 magnets shown here can be used on any Balluff Micropulse transducer.

The BTL5-P-3800-2 magnet can be used with a vertical offset from the upper surface of the transducer body of 0...4 mm, and the BTL5-P-5500-2 permits a distance of 5...15 mm. The BTL5-P-4500-1 is an electromagnet and requires a supply voltage of 24 V, which can be turned on and off for selective activation. This allows multiplex operation with multiple magnets on a single transducer, since only one magnet is active at a time.

Description	Magnet
for Series	BTL Profile
Type	Floating



Ordering Code	BTL5-P-3800-2
Housing Material	Plastic
Weight	approx. 12 g
Magnet Traverse Speed	any
Supply Voltage	
Current Draw	
Operating Temperature/Storage Temperature Included	-40...+85 °C Magnet
	2 mounting screws DIN 84 M4x35-A2 with washers and nuts



Each mounting foot includes 4 isolation washers and 2 mounting screws ordered separately.

Order part number:
BTL P-M5-VZ (sold in pairs)

Number of Mounting Feet (Recommended)

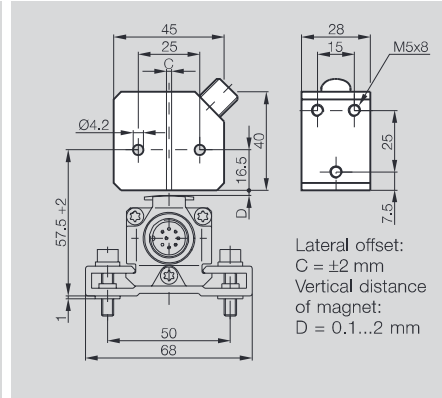
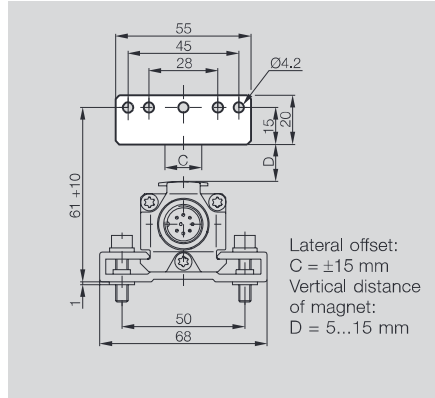
Transducer Stroke Length (mm)	Recommended Number of Feet
0051-0457	2
0508-0711	3
0762-0914	4
1016-1220	5
1270	6
1524	7
1778	8
2032	9
2286	10
2540	11
2794	12
3048	13
3302	14
3606	15
3962	16
4267	17
4572	18
4877	19
5080	20



Micropulse P Style

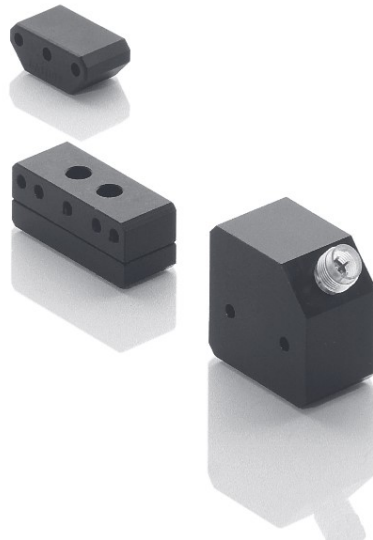
Floating Magnets

Description	Magnet	Magnet
for Series	BTL Profile	BTL Profile
Type	Extended range, Floating	Electromagnet, Floating

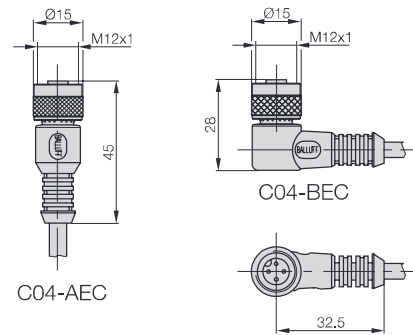


Ordering Code	BTL5-P-5500-2	BTL5-P-4500-1
Housing Material	Plastic	Plastic
Weight	approx. 40 g	approx. 90 g
Magnet Traverse Speed	any	any
Supply Voltage		24 Vdc
Current Draw		100 mA
Operating/Storage Temperature	-40...+85 °C	-40...+60 °C
Included	Magnet	Magnet
Accessories (please order separately)		Straight connector C04-AEC-00-VY-050M Right-angle connector C04-BEC-00-VY-050M

Non-contact! Vertical offset 0.1...4 mm or 5...15 mm



Please indicate cable length in ordering code:
03, 05, 10, 15
e.g. 050M = 5M



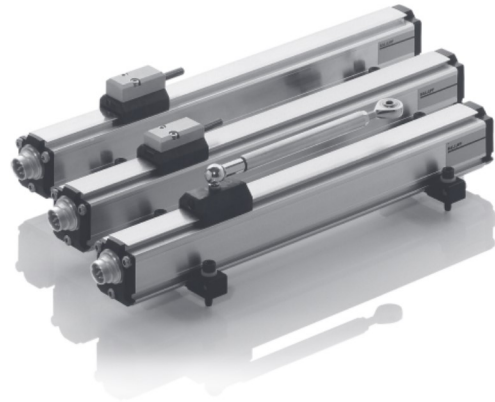
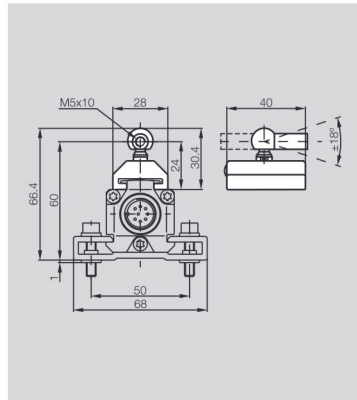
Connector for Electromagnet



Micropulse P Style

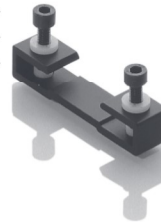
Captive Magnets

Description	Magnet
for Series	BTL Profile
Type	Standard Captive



Ordering Code	BTL5-F-2814-1S
----------------------	-----------------------

Material	Housing	Plastic
	Slide Surface	Plastic
Weight		approx. 28 g
Magnet Traverse Speed		any
Operating/Storage Temperature		-40...+85 °C

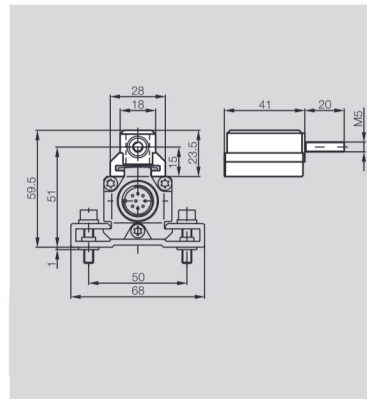
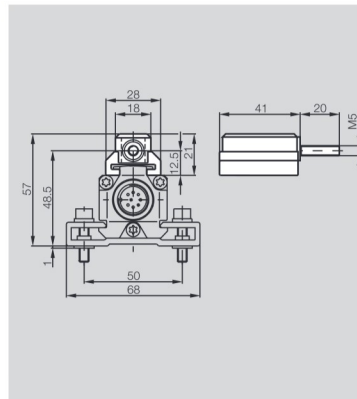


Each mounting foot includes 4 isolation washers and 2 mounting screws ordered separately.

Order part number:
BTL P-M5-VZ (sold in pairs)

Description	Magnet
for Series	BTL Profile
Type	Special Purpose Captive

Description	Magnet
for Series	BTL Profile
Type	Special Purpose Captive



Ordering Code	BTL5-M-2814-1S
----------------------	-----------------------

Ordering Code	BTL5-N-2814-1S
----------------------	-----------------------

Material	Housing	Anodized aluminum
	Slide Surface	Plastic
Weight		approx. 32 g
Magnet Traverse Speed		any
Operating/Storage Temperature		-40...+85 °C

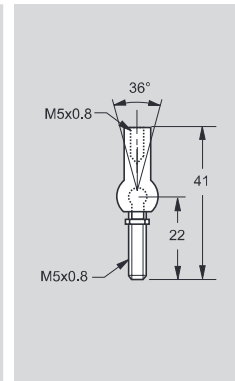
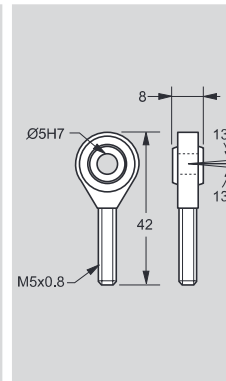
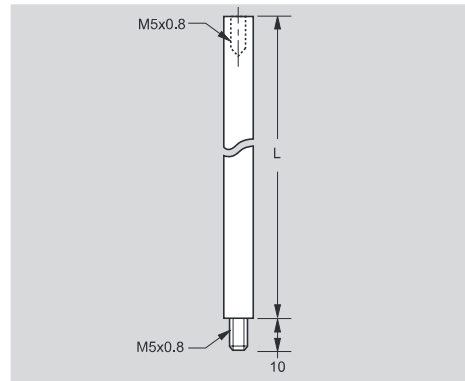
Material	Housing	Anodized aluminum
	Slide Surface	Plastic
Weight		approx. 35 g
Magnet Traverse Speed		any
Operating/Storage Temperature		-40...+85 °C



Micropulse P Style

Accessories

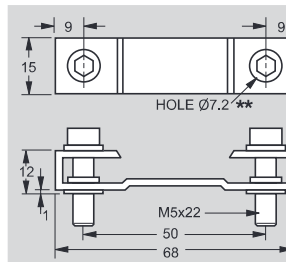
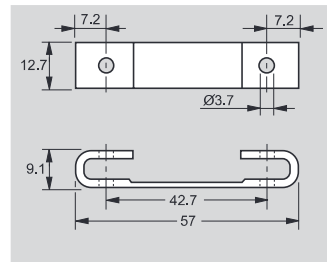
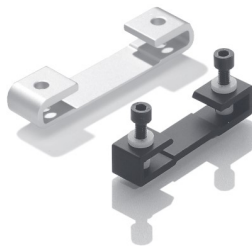
Product	Control Arm	Swivel Eye	Ball Joint
Compatibility	BTL5-F-2814-1S and BTL5-R-2814-1S	BTL5-GS08-	BTL5-GS08-



Ordering Code	BTL Z-5-GS08-_- * _-A	BTL5-SWIVEL-EYE	BTL5-A-BJ01
Material	Aluminum	Aluminum/Steel	Aluminum/Steel
Weight	150 g/m	14 g	11 g

*Specify control arm length in mm e.g. BTL-5-GS08-0305-A

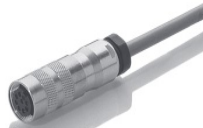
Product	Mounting feet	Mounting feet
Type	Narrow (optional)	Standard



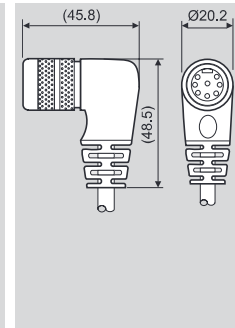
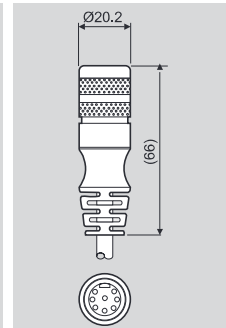
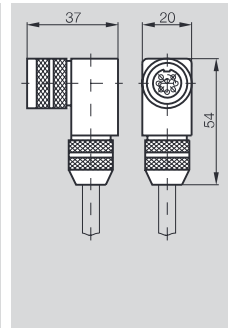
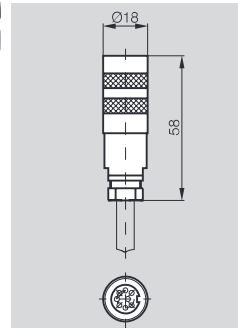
**Each BTL P-M5-VZ Mounting Foot is supplied with 4 plastic isolation washers with an inner diameter of 5.1 mm. If the cable shield is connected at the electrical panel, these washers should be used to isolate the transducer body from the machine frame, thereby avoiding potential ground loops.

Ordering Code	BTL5-FEET-NR (one foot)	BTL P-M5-VZ (sold in pairs)
Material	Aluminum	Black Anodized Aluminum
Weight	6 g	12 g

Product	Straight Connector	Right-angle Connector	Molded Straight Connector	Molded Right-angle Connector
Type	8-pin female	8-pin female	8-pin female	8-pin female



For additional connectors, see page 107-114
 * Indicate cable length in ordering code (consult factory for longer lengths)
 00 = connector only (only S32 and S33)
 02 = 2 meter cable
 05 = 5 meter cable



Ordering Code	BKS-S 32M-_- *	BKS-S 33M-_- *	BKS-S 232-PU-_- *	BKS-S 233-PU-_- *
Material	CuZn, nickel plated	CuZn, nickel plated	CuZn, nickel plated	CuZn, nickel plated
Contact Surface	0.8 µm Au	0.8 µm Au	0.8 µm Au	0.8 µm Au
Solder Connection	00 option only	00 option only	N/A	N/A
Cable	7 x 0.25 mm ² /AWG 24	7 x 0.25 mm ² /AWG 24	7 x 0.25 mm ² /AWG 24	7 x 0.25 mm ² /AWG 24
Cable Diameter	6.35 mm ± 0.35 mm	6.35 mm ± 0.35 mm	6.35 mm ± 0.35 mm	6.35 mm ± 0.35 mm
Allowable Cable Diameter	6...8 mm	6...8 mm	N/A	N/A
Cable Material	PUR	PUR	PUR	PUR
Environmental Rating	IP 67 (when installed)	IP 67 (when installed)	IP 67 (when installed)	IP 67 (when installed)