

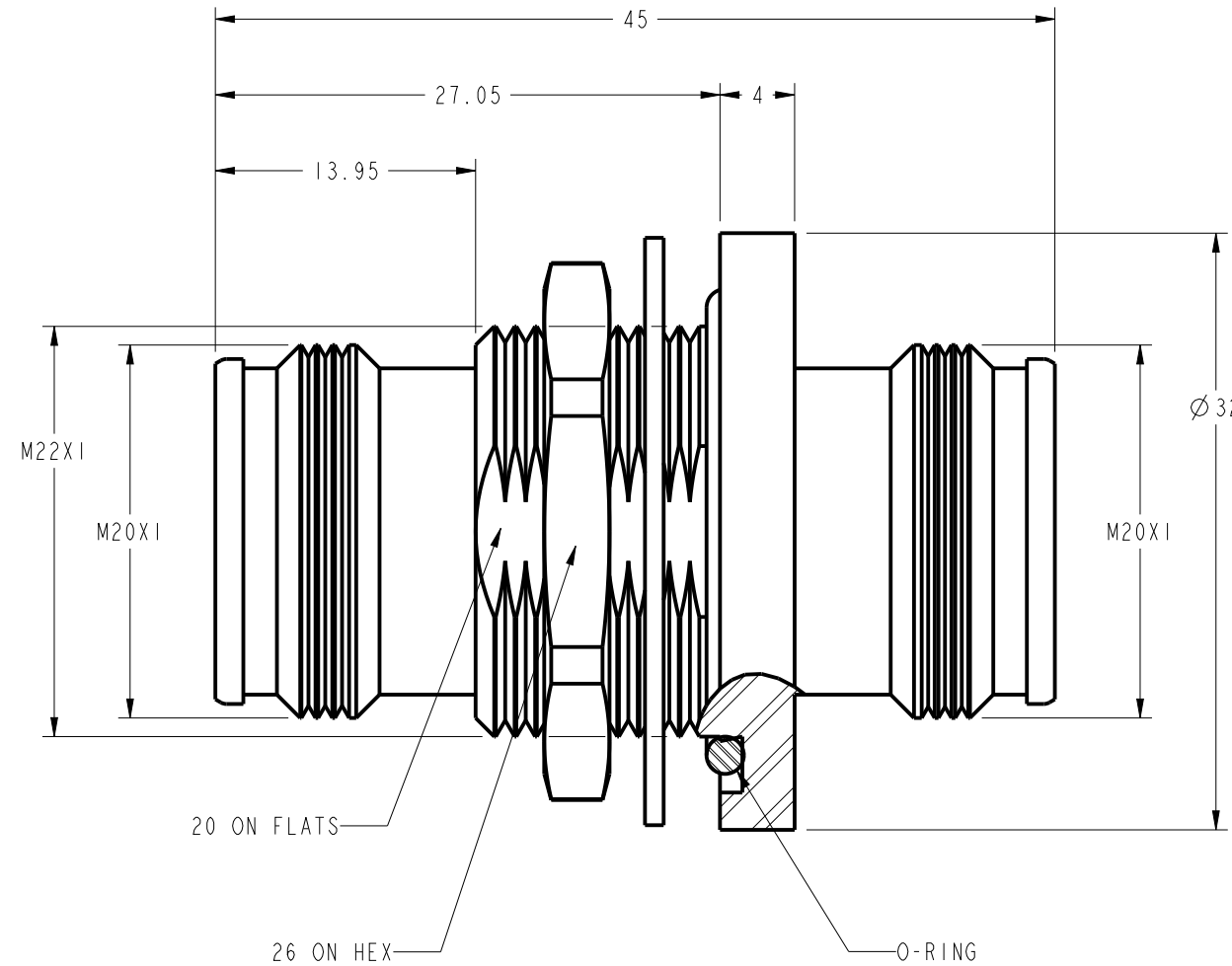
NOTES:

1. MATERIALS AND FINISHES:  
 INNER CONDUCTOR - BERYLLIUM COPPER, SILVER PLATING  
 OUTER CONDUCTOR - BERYLLIUM COPPER, SILVER PLATING  
 BODY - BRASS, WHITE BRONZE PLATING  
 NUT - BRASS, WHITE BRONZE PLATING  
 INSULATOR - PTFE, NATURAL
2. ELECTRICAL:  
 A. IMPEDANCE: 50 OHM  
 B. FREQUENCY RANGE: DC - 6 GHz  
 C. VSWR:  $\leq 1.05$  (DC-4GHz)  
            $\leq 1.15$  (DC 4-6GHz)  
 D. INSERTION LOSS:  $\leq 0.1$  (3GHz)  
 E. DWS: 2500V  
 F. INTERMODULATION:  $\leq -165$  dBc (2 X 43 dBm)
3. MECHANICAL:  
 A. DURABILITY: 500 CYCLES MIN.  
 B. TEMPERATURE RANGE: -40° C TO +85° C
5. PACKAGING:  
 A. QUANTITY: SINGLE PACK  
 B. MARKING: BAG TO BE MARKED  
    "AMPHENOL RF, AD-4310J4310J-2, AND DATE CODE"

THIRD ANGLE PROJ.

REVISIONS

REV	DESCRIPTION	DATE	ECO	APPR
A	RELEASE TO MFG.	6/15/16	01061	KCE
B	UPDATE PLATING	10/11/16	02102	KCE



**CUSTOMER OUTLINE DRAWING**

ALL OTHER SHEETS ARE FOR INTERNAL USE ONLY

UNLESS OTHERWISE SPECIFIED, DIMENSIONS ARE IN METRIC AND TOLERANCES ARE:  
 <0.5mm ±0.05mm    0.5 - 6mm ±0.1mm    6 - 30mm ±0.2mm    30 - 120mm ±0.3mm    ANGLES ±1°

NOTICE - These drawings, specifications, or other data (1) are, and remain the property of Amphenol corp. (2) must be returned upon request; and (3) are confidential and not to be disclosed to any person other than those to whom they are given by Amphenol Corp. the furnishing of these drawings, specifications, or other data by Amphenol Corp., or to any other person to anyone for any purpose is not to be regarded by implication or otherwise in any manner licensing, granting rights to permitting such holder or any other person to manufacture, use or sell any product, process or design, patented or otherwise, that may in any way be related to or disclosed by said drawings, specifications, or other data.

MATERIAL	DRAWN K. ELMES	DATE 04-May-16	TITLE 4.3/10 JACK TO 4.3/10 JACK BLKHD		Amphenol RF www.amphenolrf.com	
REFERENCE EAR# 7112	ENGINEER K. ELMES	DATE 04-May-16				
CONFIGURATION LEVEL: In Work	APPROVED K. CAPOZZI	DATE 6/15/16	SCALE: 1.0:1.0	SHEET 2 OF 2	DRAWING NO. AD-4310J4310J-2	
FINISH	CAD FILE	DWG SIZE B	REV B	ITEM NO. AD-4310J4310J-2		
				PART NO. AD-4310J4310J-2		