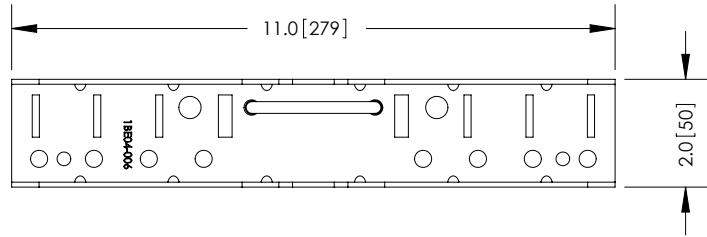
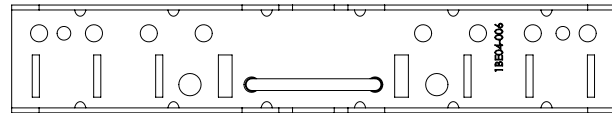
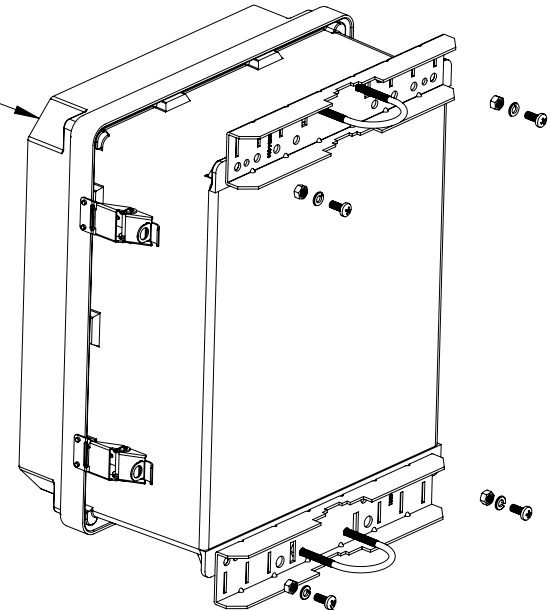


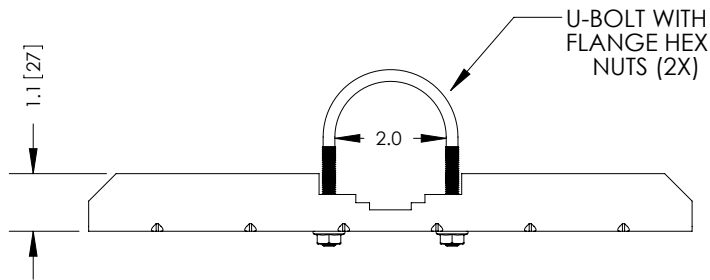
REVISIONS			
REV.	DESCRIPTION	DATE	APPROVED
A	REV A DRAWING RELEASED	11/28/2018	BPUCHASKI



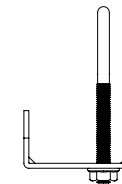
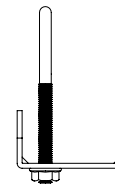
ENCLOSURE SHOWN FOR REFERENCE ONLY -NOT INCLUDED-



MOUNT BRACKET (2X)



U-BOLT WITH FLANGE HEX NUTS (2X)



MOUNT BRACKET HARDWARE INCLUDED

-ALL DIMENSIONS FOR REFERENCE-

THESE COMMODITIES, TECHNOLOGY OR SOFTWARE WERE EXPORTED FROM THE UNITED STATES IN ACCORDANCE WITH THE EXPORT ADMINISTRATION REGULATIONS. DIVERSION CONTRARY TO U.S. LAW PROHIBITED.

UNLESS OTHERWISE SPECIFIED LEADING DIMENSIONS ARE INCHES DIMENSIONS IN [] ARE MILLIMETERS

TOLERANCES:	
.X=± .2 [5.08]	FRACTIONS ± 1/32
.XX=± .01 [.25]	ANGLES ± 1°
.XXX=± .005 [.13]	

ALL DIMENSIONS SHOWN ARE FOR REFERENCE ONLY.

THIRD-ANGLE PROJECTION



TRANSTECTOR SYSTEMS, INC.
10701 AIRPORT ROAD, HAYDEN, IDAHO 83835
PHONE: 1.208.635.6400
1.800.882.9110
FAX: 1.208.955.2041

THE INFORMATION AND DESIGN IN THIS DOCUMENT IS THE PROPERTY OF TRANSTECTOR CORPORATION. ALL RIGHTS RESERVED.

SHEET 1 OF 1

SCALE N/A

SIZE	CAGE	DRAWN BY	PART NUMBER	REV
A	30992	BPUCHASKI	TEF-PMT16	A