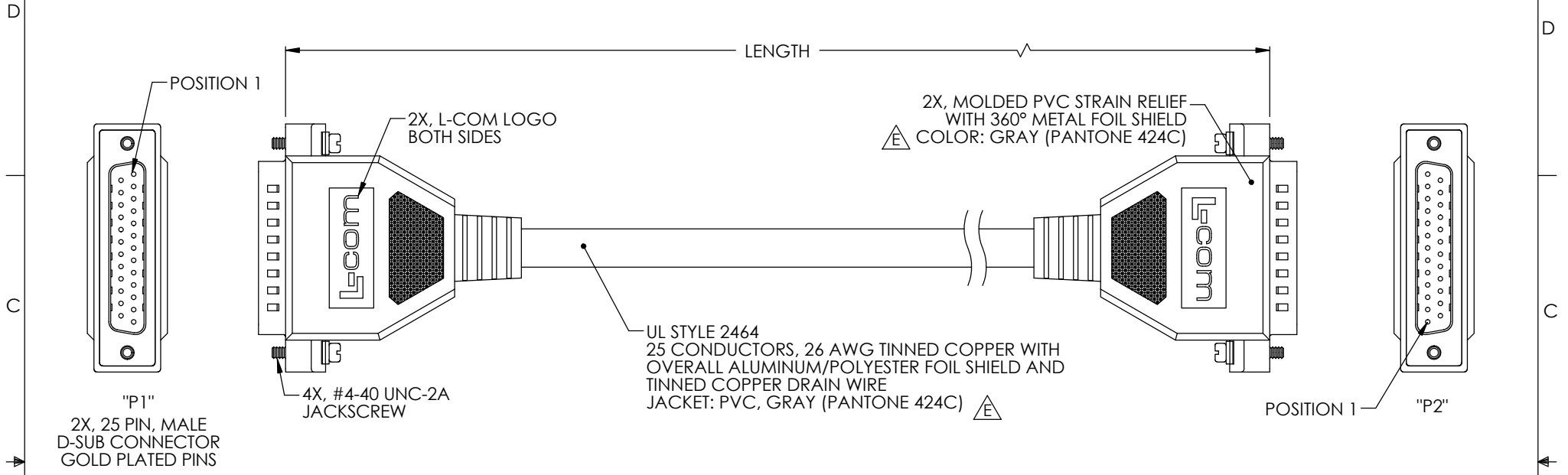


THE INFORMATION CONTAINED IN THIS DRAWING IS THE SOLE PROPERTY OF L-COM, INC. ANY REPRODUCTION IN PART OR WHOLE WITHOUT THE WRITTEN PERMISSION OF L-COM, INC. IS PROHIBITED.

RoHS Compliant ✓

REVISIONS			
REV	DESCRIPTION	DATE	APPROVED
E	ECN 6638: ADDED PANTONE #, UPDATED LOGOS	1/28/13	D. DESJARDIN



WIRING MAP					
"P1"	WIRE COLOR	"P2"	"P1"	WIRE COLOR	"P2"
1	BLACK	1	14	BROWN / WHITE	14
2	BROWN	2	15	RED / WHITE	15
3	RED	3	16	ORANGE / WHITE	16
4	ORANGE	4	17	GREEN / WHITE	17
5	YELLOW	5	18	BLUE / WHITE	18
6	GREEN	6	19	PURPLE / WHITE	19
7	BLUE	7	20	RED / BLACK	20
8	PURPLE	8	21	ORANGE / BLACK	21
9	GRAY	9	22	YELLOW / BLACK	22
10	WHITE	10	23	GREEN / BLACK	23
11	PINK	11	24	GRAY / BLACK	24
12	LIGHT GREEN	12	25	PINK / BLACK	25
13	BLACK / WHITE	13	SHELL	DRAIN WIRE	SHELL

PART NUMBER	LENGTH	
	FEET	METERS
CSM25MM-1	1.0	0.31
CSM25MM-2.5	2.5	0.76
CSM25MM-5	5.0	1.52
CSM25MM-10	10.0	3.05
CSM25MM-25	25.0	7.62

- NOTES:
- CABLE SHALL BE TESTED FOR CONTINUITY.
 - CABLE SHALL BE INDIVIDUALLY PACKAGED IN ACCORDANCE WITH L-COM SPECIFICATION PS-0031.

UNLESS OTHERWISE SPECIFIED, DIMENSIONS ARE IN INCHES [mm] OVERALL CABLE LENGTH TOLERANCE: ≤12 [305] = +1 [25] / -0 >12 [305] ≤60 [1524] = +2 [51] / -0 >60 [1524] ≤120 [3048] = +4 [102] / -0 >120 [3048] ≤300 [7620] = +6 [152] / -0 >300 [7620] = +5% / -0%	APPROVALS	DATE		45 BEECHWOOD DRIVE NORTH ANDOVER, MA 01845
	DRAWN BY TJC	5/21/01		CATEGORY
ALL OTHER DIMENSIONAL TOLERANCES: .X = ± .2 .XX = ± .02 .XXX = ±.005	CHECKED BY DFP	4/30/01	PRODUCT DESCRIPTION	
	APPROVED BY CM	5/2/01	CABLE, DB25M/M MOLDED	
PROJECTION	CONFIGURATION DETAILS OF UNDIMENSIONED FEATURES MAY VARY	COLOR VARIATIONS MAY OCCUR	SIZE A	FSCM NO. 43321
	CSM-FS01	SCALE: NONE	DWG. NO. CSM25MM	REV. E
		CAD FILE: CSM25MM.SLDRW	SHEET 1 OF 1	