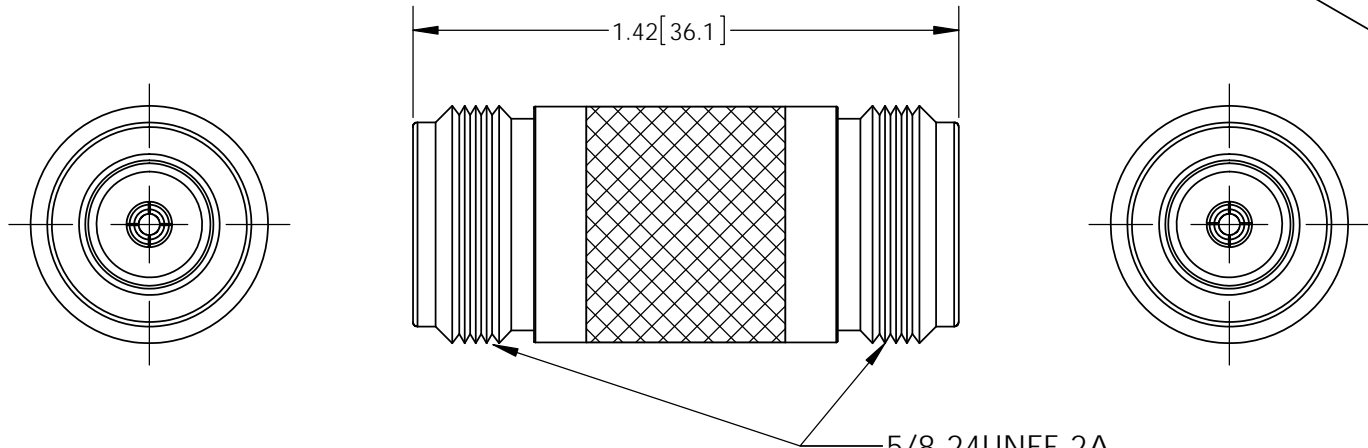
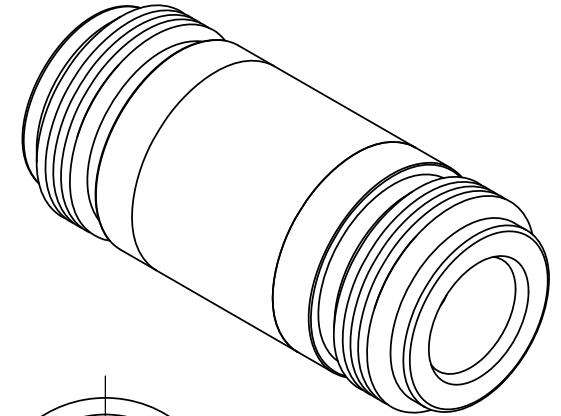


THE INFORMATION CONTAINED IN THIS DRAWING IS THE SOLE PROPERTY OF L-COM, INC. ANY REPRODUCTION IN PART OR WHOLE WITHOUT THE WRITTEN PERMISSION OF L-COM, INC. IS PROHIBITED.

REVISIONS			
REV	DESCRIPTION	DATE	APPROVED
A	INITIAL RELEASE	10/28/15	D.GRIFFIN

DESCRIPTION	MATERIAL	FINISH
GASKETS	SILICONE RUBBER	---
BODY	BRASS	CuSnZn3
INSULATOR	PTFE	SILVER
CENTER CONTACT	BRONZE	SILVER



NOTES:

ELECTRICAL:
 IMPEDANCE: 50 OHM
 FREQUENCY RANGE: DC-3GHz
 VSWR: ≤ 1.1
 PASSIVE INTERMODULATION(PIM): $\leq -160\text{dBc}$
 DIELECTRIC WITHSTANDING VOLTAGE: 2500V
 INSERTION LOSS: $\leq .05$ dB
 INSULATION RESISTANCE: $\geq 5000\text{M OHM}$
 CONTACT RESISTANCE:
 CENTER CONTACT: $\leq 1.0\text{m OHM}$
 OUTER CONTACT: $\leq 0.25\text{m OHM}$

MECHANICAL:
 DURABILITY: ≥ 500
 INTERFACE DIMENSIONS CONFORMABLE TO IEC 60169-16

PACKAGING:
 COMPONENT SHALL BE INDIVIDUALLY PACKAGED IN ACCORDANCE WITH L-COM SPECIFICATION PKG-00012

REGULATORY COMPLIANCE:
 CE2011/65/EU(RoHS DIRECTIVE)

UNLESS OTHERWISE SPECIFIED, DIMENSIONS ARE IN INCHES [mm] DIMENSIONAL TOLERANCES: .X = ± 0.1 [2.54] .XX = ± 0.01 [0.25] .XXX = ± 0.005 [0.13] ANGULAR TOLERANCES: ALL = $\pm 1^\circ$	APPROVALS	DATE		45 BEECHWOOD DRIVE NORTH ANDOVER, MA 01845		
	DRAWN BY B.PUCHASKI	09/28/15				
	CHECKED BY K.BURGNER	09/28/15	CATEGORY	COAXIAL		
	APPROVED BY P.PESA	09/28/15	PRODUCT DESCRIPTION	N-FEMALE TO N-FEMALE ADAPTER PIM RATED		
PROJECTION 	CONFIGURATION DETAILS OF UNDIMENSIONED FEATURES MAY VARY		SIZE A	FSCM NO. 43321	DWG. NO. AXA-PNFnF	REV. A
COLOR VARIATIONS MAY OCCUR			SCALE: NONE	CAD FILE: AXA-PNFnF.SLDDRW	SHEET 1 OF 1	