

18x16x08 Fiberglass Reinf Polyester FRP Weatherproof Outdoor
IP24 NEMA 3R Enclosure, PoE MNT PLT Vented Lid Gray

TEF181608-40V



Features

- Molded Fiberglass Reinforced Polyester (FRP) industrial enclosure
- Stainless steel quick release latches with padlock hasps
- NEMA Type 3R / IP24 rated
- Fully gasketed vented lid with filters & integral mounting flange
- Features aluminum mounting plate with 802.3af compatible PoE interface with CAT5 surge protection

Applications

- Remote Wireless LAN WiFi equipment installations
- Indoor and outdoor installations
- Rapid Deployment Installations
- Corrosive environments & hotspot applications
- Protection of equipment from theft or damage

Description

The box is a rugged weatherproof enclosure that is ideal for both indoor and outdoor applications. Constructed from molded fiberglass reinforced polyester, it is well suited for high temperature or corrosive environments. The integrated mounting flange allows it to be mounted directly to any flat wall surface provided proper screws are used into secure studs. The enclosure can also be mounted to a wide diameter range of poles with one of our optional pole mounting hardware kits. The lid features a stainless steel continuous hinge and stainless steel quick release latches with padlock hasps. Includes fully gasketed vented lid with filters & integral mounting flange. The enclosure material is UV stabilized and comes in machine tool gray.

Mounting Plate

The mounting plate features a CAT5 802.3af compatible PoE interface that feeds power plus data to the internal network equipment. It requires an injector/midspan to supply 48VDC to the PoE devices installed inside the enclosure. The interface includes lightning protection and support for normal and reverse polarity PoE equipment. The enclosure also features holes for two N-Bulkhead lightning protectors or connectors, a grounding lug, and a cable conduit connector.

The TEF-PMT series of pole mounting kits allow the populated enclosure to be securely mounted to a variety of different size poles.

Compatible versions include TEF-PMT13, TEF-PMT16, TEF-PMT28, TEF-PMT29, TEF-PMT30 & TEF-PMT33

Size

Outer Height	19.5 in	[495.3 mm]
Outer Width	17.5 in	[444.5 mm]
Outer Depth	10 in	[254 mm]
Inner Height	17.7 in	[449.58 mm]
Inner Width	15.7 in	[398.78 mm]
Inner Depth	8.4 in	[213.36 mm]
Weight	19.3 lbs	[8.75 kg]
Enclosure Material	Fiberglass Reinforced Polyester (FRP)	

Click the following link (or enter part number in "SEARCH" on website) to obtain additional part information including price, inventory and certifications:
[18x16x08 Fiberglass Reinf Polyester FRP Weatherproof Outdoor IP24 NEMA 3R Enclosure, PoE MNT PLT Vented Lid Gray TEF181608-40V](#)

18x16x08 Fiberglass Reinf Polyester FRP Weatherproof Outdoor
IP24 NEMA 3R Enclosure, PoE MNT PLT Vented Lid Gray

TEF181608-40V



Environmental Specifications

Temperature Rating	-50 to +150 deg C
NEMA Rating	3R
Ingress Protection (IP) Rating	IP24

Compliance Certifications

UL Listed	No
-----------	----

Transtector Systems specializes in protection of highly sensitive, low voltage equipment through its patented, non-degrading silicon diode technology and custom filters. Our power quality expertise translates into a diverse product offering including AC, DC, and signal applications as well as integrated cabinets, power distribution panels and EMP hardened devices.

Click the following link (or enter part number in "SEARCH" on website) to obtain additional part information including price, inventory and certifications: [18x16x08 Fiberglass Reinf Polyester FRP Weatherproof Outdoor IP24 NEMA 3R Enclosure, PoE MNT PLT Vented Lid Gray TEF181608-40V](#)

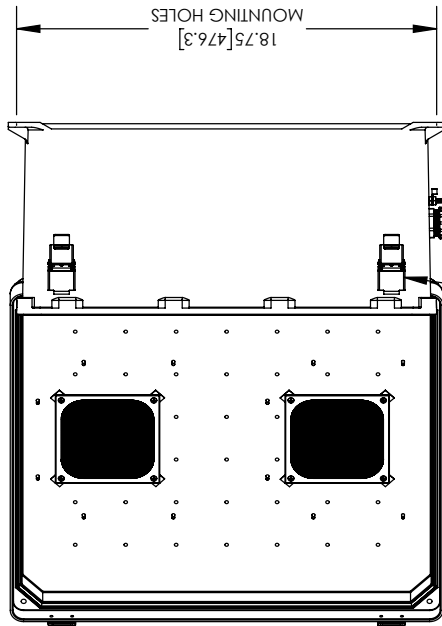
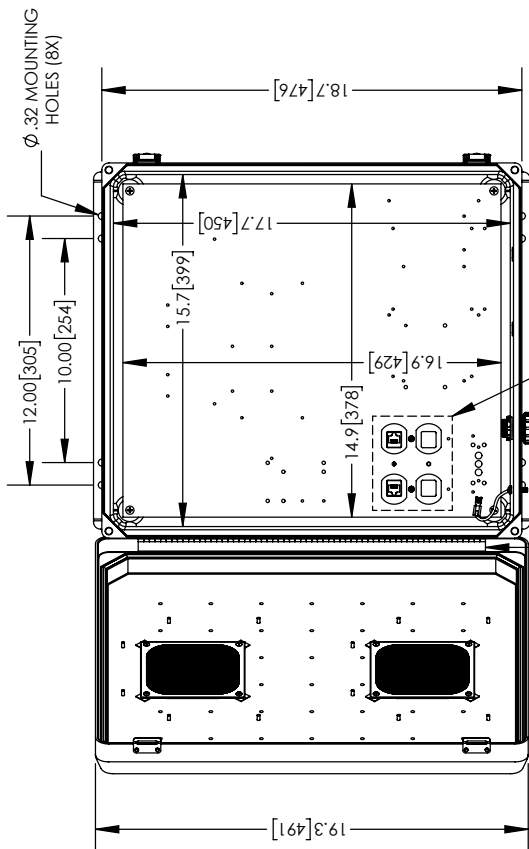
URL: <https://www.transtector.com/18x16x08-fiberglass-reinf-polyester-frp-weatherproof-outdoor-tef181608-40v-p.aspx>

The information contained in this document is accurate to the best of our knowledge and representative of the part described herein. It may be necessary to make modifications to the part and/or the documentation of the part, in order to implement improvements. Transtector reserves the right to make such changes as required. Unless otherwise stated, all specifications are nominal. Transtector does not make any representation or warranty regarding the suitability of the part described herein for any particular purpose, and Transtector does not assume any liability arising out of the use of any part or documentation.

18x16x08 Fiberglass Reinf Polyester FRP Weatherproof Outdoor
IP24 NEMA 3R Enclosure, PoE MNT PLT Vented Lid Gray

TEF181608-40V CAD Drawing

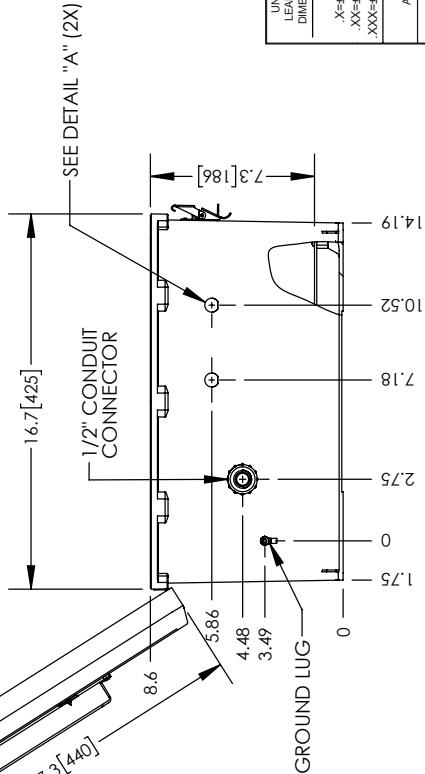
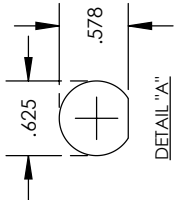
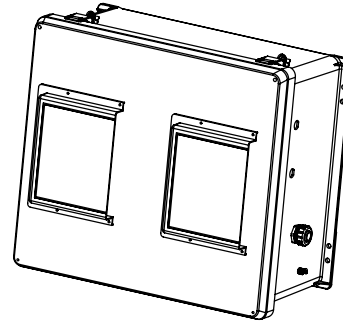
REVISIONS			
REV.	DESCRIPTION	DATE	APPROVED
A	REV A DRAWING RELEASED	05/09/2019	DGUITTADAUR



HIDDEN LINES REPRESENT COMPONENTS ON BACK OF PLATE - DO NOT DRILL-

316 SS PADLOCKABLE LATCHES
 $\phi .375$ PADLOCK EYE

304 SS PIANO HINGE



UNLESS OTHERWISE SPECIFIED LEADING DIMENSIONS ARE IN INCHES DIMENSIONS IN [] ARE MILLIMETERS

TOLERANCES:
 .X \pm .2 [5.08] FRACTIONS
 .XX \pm .01 [.25] \pm .192
 .XXX \pm .005 [.13] ANGLES \pm 1°

ALL DIMENSIONS SHOWN ARE FOR REFERENCE ONLY

THIRD-ANGLE PROJECTION

THE INFORMATION AND DESIGN IN THIS DOCUMENT IS THE PROPERTY OF TRANSTECTOR CORPORATION. ALL RIGHTS RESERVED.

SHEET 1 OF 1
SCALE N/A

TRANSTECTOR
 TRANSTECTOR SYSTEMS, INC.
 10701 AIRPORT ROAD, HAYDEN, IDAHO 83835
 PHONE: 1.208.635.6400
 FAX: 1.208.955.2041

SIZE A CAGE 30992 PART NUMBER TEF181608-40V REV A

DRAWN BY BPUCHASKI

THESE COMMODITIES, TECHNOLOGY OR SOFTWARE WERE EXPORTED FROM THE UNITED STATES IN ACCORDANCE WITH THE EXPORT ADMINISTRATION REGULATIONS. DIVERSION CONTRARY TO U.S. LAW PROHIBITED.