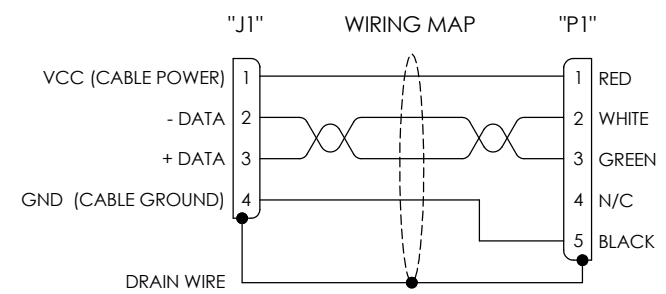
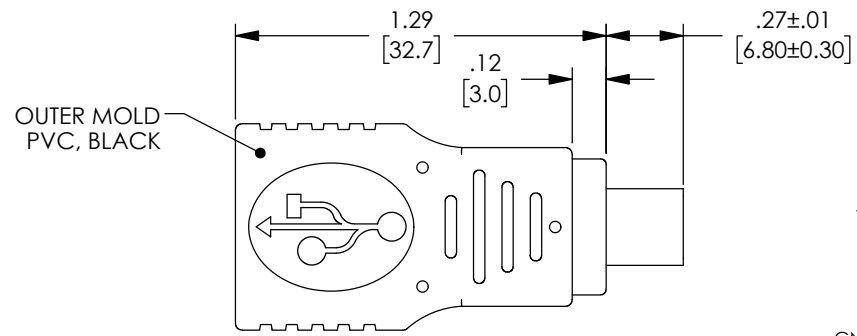
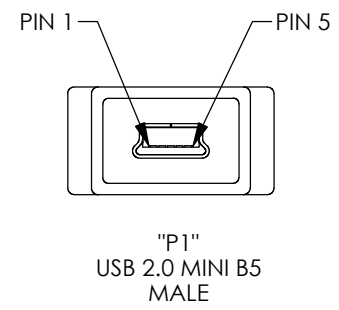
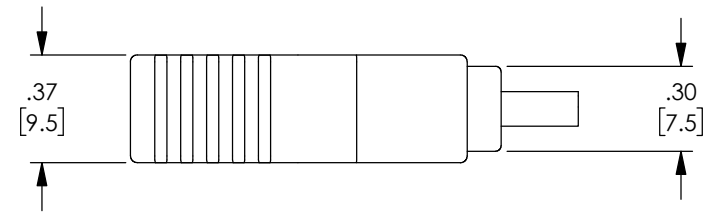
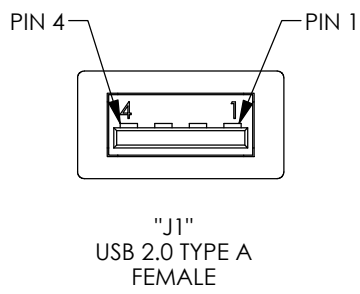
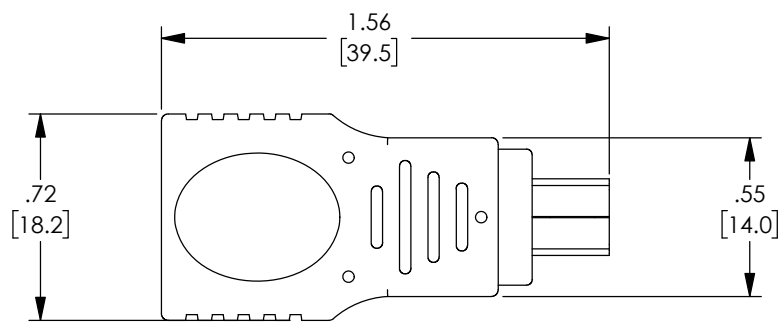


THE INFORMATION CONTAINED IN THIS DRAWING IS THE SOLE PROPERTY OF L-COM, INC. ANY REPRODUCTION IN PART OR WHOLE WITHOUT THE WRITTEN PERMISSION OF L-COM, INC. IS PROHIBITED.

REVISIONS			
REV	DESCRIPTION	DATE	APPROVED
	INITIAL RELEASE	08/25/2021	GUTTADAURO



NOTES:
ELECTRICAL:
1. VOLTAGE TEST: 300V 10MS
2. INSULATION RESISTANCE: 5.0M ohm/min.
3. CONDUCTOR RESISTANCE: 5.0 ohm/max.

ADAPTER SHALL BE TESTED FOR CONTINUITY.
ADAPTER SHALL BE INDIVIDUALLY PACKAGED IN ACCORDANCE WITH L-COM SPECIFICATION PS-0031.

REGULATORY COMPLIANCE:
EU RoHS DIRECTIVE (MOST RECENT RELEASED VERSION)

UNLESS OTHERWISE SPECIFIED, DIMENSIONS ARE IN INCHES [mm] OVERALL CABLE LENGTH TOLERANCE: ≤12 [305] = +1 [25] / -0 >12 [305] ≤60 [1524] = +2 [51] / -0 >60 [1524] ≤120 [3048] = +4 [102] / -0 >120 [3048] ≤300 [7620] = +6 [152] / -0 >300 [7620] = +5% / -0 ALL OTHER DIMENSIONAL TOLERANCES: .X = ±.2 [5] FRACTIONS ± 1/32 .XX = ±.02 [5] ANGLES ± 1° .XXX = ±.005 [13]	APPROVALS DRAWN BY DFRISIELLO CHECKED BY ELAMOTT APPROVED BY GUTTADAURO	DATE 08/25/2021 08/25/2021 08/25/2021	 an INFINITO® brand 50 High Street, West Mill, North Andover, MA 01845 USA. Phone: 1.800.341.5266 1.978.682.6936	
	CONFIGURATION DETAILS OF UNDIMENSIONED FEATURES MAY VARY COLOR VARIATIONS MAY OCCUR	CATEGORY USB		PRODUCT DESCRIPTION ADPT USB 2.0 MINI B M TO A F BK
THIRD-ANGLE PROJECTION 	SIZE A	CAGE CODE 43321	ITEM NO. U2C00045	REV. A
SCALE: NONE		CAD FILE: U2C00045.SLDDRW		SHEET 1 OF 1