



KT-HBLED215PS-2FB-8CSD-VDIM-P

LED HIGH BAY FIXTURE

DESCRIPTION

2' LED High Bay Fixture | 120–277V Input | Frosted Lens | 0–10V Dimming | Premium Series

APPLICATION

Used for commercial and industrial high bay lighting applications



PRODUCT FEATURES

- Powered by Keystone 0–10V dimming LED drivers
- Smooth diffused lens for an even appearance
- 0–10V Dimming, Dim-to-off
- Compatible with Keystone SmartSafe emergency LED drivers
- Compatible with Keystone 480–277V step down transformers
- Built in port to accept Quick install Keystone sensor (KTS-MW3-12V-PKO & KTS-PIR3-12V-PKO.) NO wiring required
- Ambient operating temperature: –40°C/–40°F to 50°C/122°F
- UL Listed 1598: Suitable for damp locations
- THD: < 20%
- Power factor > 0.95
- L70 > 50,000 hours
- DLC Premium Listed
- Architectural grade compact design
- Frosted lens eliminates glare
- V-hook and chain mounting accessories included
- Compatible with Keystone SmartSafe emergency LED drivers; KT-EMRG-LED-12C-1200-EN /DF and KT-EMRG-LED-20SD-2000-EN / DF are optimal for fixture level installation; mounting kit KT-HBLED-EM-BR-1B-KIT required (sold separately)

POWER AND COLOR TEMPERATURE SELECTABILITY

- Keystone Color Select Technology: Adjustable CCT (4000K/5000K)
- Keystone Power Select Technology: Adjustable Wattage (215W/175W/135W)



PRODUCT SPECIFICATIONS

Catalog Number	Input Voltage	Wattage	CCT	Lumen Output	Efficacy	CRI	Power Factor	Lifetime
KT-HBLED215PS-2FB-8CSD-VDIM-P	120–277V	215W	4000K	30,000 lm	139 lm/W	> 80	> 0.90	50,000 hrs
			5000K	30,100 lm	140 lm/W			
		175W	4000K	24,400 lm	139 lm/W			
			5000K	24,500 lm	140 lm/W			
		135W	4000K	18,800 lm	139 lm/W			
			5000K	18,900 lm	140 lm/W			

ONE CATALOG NUMBER WITH 6 DIFFERENT OPTIONS

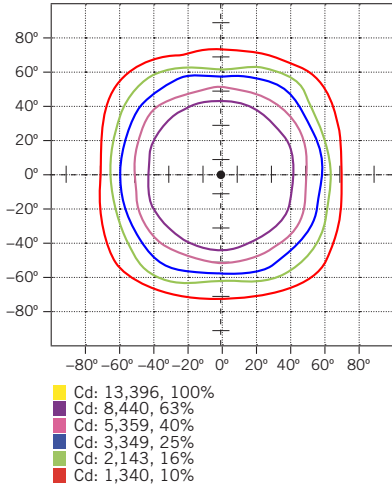
* Preset to highest lumen output (215W / 5000K)
 * Color Uniformity: CCT (Correlated Color Temperature) range as per guidelines outlined in ANSI C78.377-2017.

KT-HBLED215PS-2FB-8CSD-VDIM-P

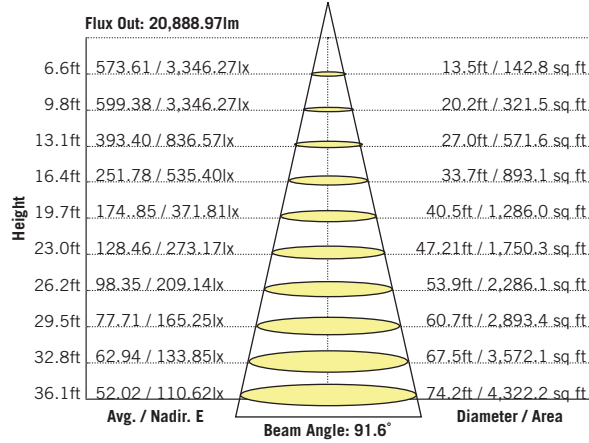
LED HIGH BAY FIXTURE

PHOTOMETRIC SPECIFICATIONS

ISOCANDELA PLOT



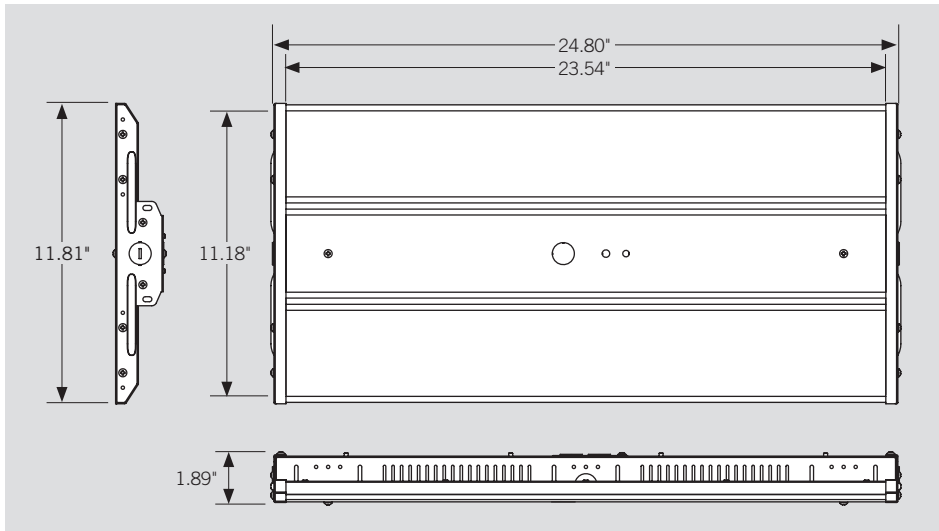
AVERAGE ILLUMINANCE



ZONAL LUMEN SUMMARY

Zone	Lumens	% Luminaire
0-60	27,071	88%
60-90	3,353	11%
0-90	30,424	99%
90-180	256	1%
0-180	30,680	100%

PHYSICAL SPECIFICATIONS



Weight	12.6 lb
---------------	---------



KT-HBLEDD215PS-2FB-8CSD-VDIM-P

LED HIGH BAY FIXTURE

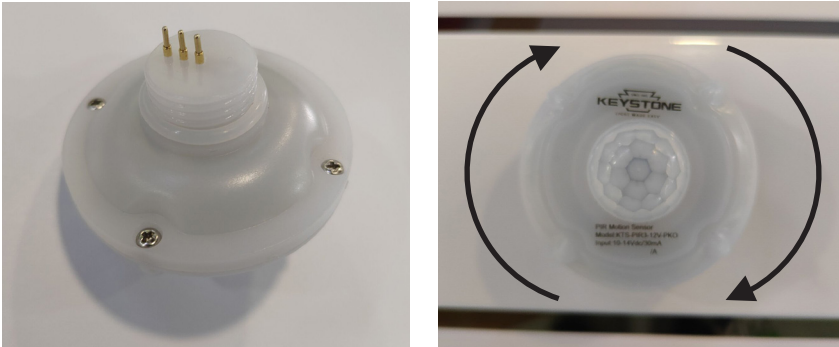
QUICK INSTALL ACCESSORIES (SOLD SEPARATELY)

Accessory	Catalog Number	Description
PIR Sensor	KTS-PIR3-12V-PKO /A	PIR sensor for 2FB LED Highbay fixtures, Preset for 1 min hold time, 3 min standby time at 30% dim, daylight disabled
	KTS-PIR3-12V-PKO /B	PIR sensor for 2FB LED Highbay fixtures, Preset for 5 min hold time, 10 min standby time at 10% dim, daylight disabled
Microwave Sensor	KTS-MW3-12V-PKO /A	Microwave sensor for 2FB LED Highbay fixtures, Preset for 1 min hold time, 3 min standby time at 30% dim, daylight disabled
	KTS-MW3-12V-PKO /B	Microwave sensor for 2FB LED Highbay fixtures, Preset for 5 min hold time, 10 min standby time at 10% dim, daylight disabled

1. UNSCREW FIXTURE CAP



2. TWIST IN SENSOR



3. DONE!





KT-HBLED215PS-2FB-8CSD-VDIM-P

LED HIGH BAY FIXTURE

ADDITIONAL ACCESSORIES (SOLD SEPARATELY)

Accessory	Catalog Number	Description
Surface Mount Kit	KT-HBLED-SM-1B-KIT	Surface Mount Kit for 2FB LED High Bay fixtures
Pendant Mount Kit	KT-HBLED-PM-1B-KIT	Pendant Mount Kit for 2FB LED High Bay fixtures
Wire Guard	KT-HBLED-WG-1B-KIT	Wire Guard Kit for 2FB LED Highbay fixtures
Cable Kit	KT-HBLED-CABLE-1B-KIT	Aircraft Cable Hanging Kit for 2FB LED Highbay fixtures
Emergency Backup Bracket	KT-HBLED-EM-BR-1B-KIT	Emergency LED Backup Mounting Kit for 2FB LED Highbay Fixtures
Smart Safe Battery Backup	KT-EMRG-LED-12C-1200-EN /DF	12W, 1200 lumen Smart Safe emergency battery backup with dual flex cables
	KT-EMRG-LED-20SD-2000-EN /DF	20W, 2000 lumen Smart Safe emergency battery backup with dual flex cables, Self diagnostic

ORDERING INFORMATION

Catalog Number	Pack Quantity	Easy Code	UPC
KT-HBLED215PS-2FB-8CSD-VDIM-P	TBD	FPM-04	843654133652

CATALOG NUMBER BREAKDOWN

KT-HBLED215PS-2FB-8CSD-VDIM-P

1
2
3
4
5
6
7
8
9
10
11

- 1** Keystone Technologies
- 2** LED Stairwell Fixture
- 3** Wattage
- 4** Power Select
- 5** 2' Nominal Length
- 6** Form Factor
- 7** 800 Series
- 8** Color Select
- 9** Color Select Designation
- 10** 0–10V Dimming
- 11** Premium Series

8 Color Select Designation

A	3500K, 4000K, 5000K
B	3000K, 4000K, 5000K
C	3000K, 3500K, 4000K, 5000K
D	4000K, 5000K