



Datasheet

RS PRO 15cm DVI-D Male to HDMI Female - Black

Stock number: 236-9108

EN

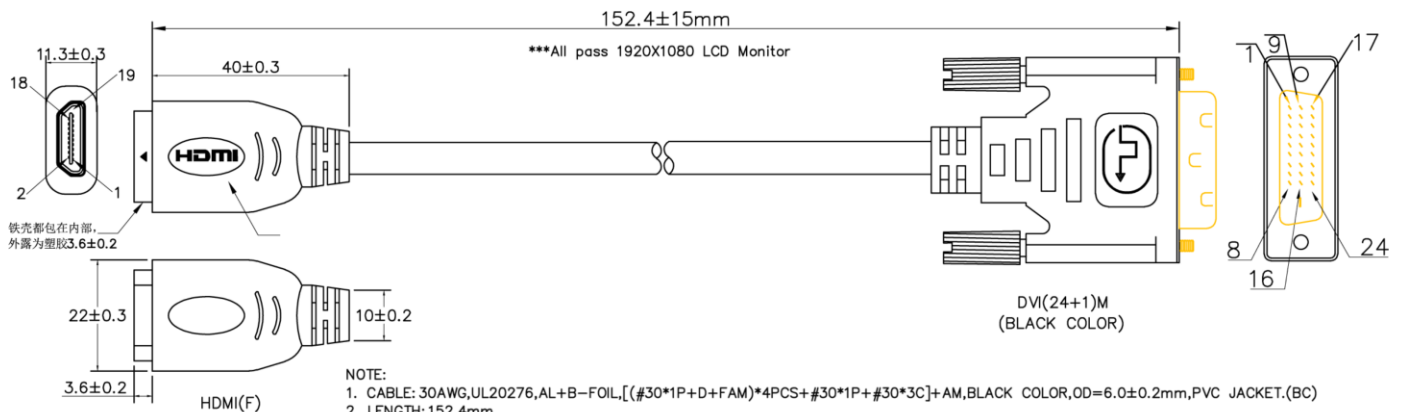
The RSPRO 15cm DVI-D male to HDMI female adapter which has a black PVC jack and an outer diameter of 6mm. The connectors have a gold flash covering to prevent corrosion.

There are three different types of DVI cables which all share a common connector, DVI-A(analogue), DVI-D(digital) and DVI-I(integrated).

This cable will passively convert a HDMI signal to DVI-D.

DVI-D and DVI-I are also split into two types of cable, dual link and single link. Dual link has all the pins connected to achieve higher resolutions where as single link may have the physical pins present but some will not be connected inside the cable.

Manufactured on UL cable UL Style Number 20276



- NOTE:
1. CABLE: 30AWG,UL20276,AL+B-FOIL,[(#30*1P+D+FAM)*4PCS+#30*1P+#30*3C]+AM,BLACK COLOR,OD=6.0±0.2mm,PVC JACKET.(BC)
 2. LENGTH: 152.4mm..
 3. CONNECTORS: HDMI(F)*1PCS(BLACK INSULATOR),DVI(24+1)M*1PCS(BLACK INSULATOR)(SHELL GOLD PLATED).
 4. MOLD: MOLDING TYPE--ASS'Y TYPE.
 5. SCREW: #4*40 SCREW*2PCS(SHELL GOLD PLATED).
 6. CONTACTS:

HDMI(F)	1	3	2	4	6	5	7	9	8	10	12	11	17	18	15	16	19	64
DVI(24+1)M	2	1	3	10	9	11	18	17	19	23	24	22	15	14	6	7	16	64
	PAIR		G	PAIR		G	PAIR		G	PAIR		G	PAIR		3C			SHELL

7. Test machine test condition.
 - A.100% OPEN,SHORT&INTERMITANCE TEST.
 - B.CONDUCTOR RESISTANCE: 3ohms MAX:
 - C.INSULATION RESISTANCE: 5M Min/,10ms:
8. ALL MUST BE MEET ON ROHS COMPLIANT.

RoHS / REACH / CE

rspro.com