

# Product data sheet

Specifications



## Harmony XB4, Wireless and batteryless push button, metal, red, Ø22, spring return

ZB4RTA4

### Main

Range of Product	Harmony XB5
Product or Component Type	Wireless and batteryless transmitter
Device short name	XB5R
Bezel material	Chromium plated metal
Fixing collar material	Zamak
Mounting diameter	0.87 in (22 mm)
Transmission frequency	2405 MHz
Emission class	5M00G7W
Antenna type	Omnidirectional

### Complementary

Shape of signaling unit head	Round
Type of operator	spring return push-button with transmitter
Operator profile	Red flush
Max power consumption in W	1 mW
Number of Channels	16
Modulation technique	O-QPSK
Bandwidth	5 MHz
Antenna gain	0 dBi
Embedding Depth	1.65 in (42 mm)
CAD overall height	1.63 in (41.5 mm)
CAD overall width	1.18 in (30 mm)
CAD overall depth	1.69 in (43 mm)
Net Weight	0.10 lb(US) (0.045 kg)
Operating travel	0.17 in (4.3 mm) total travel)
Operating force	10 N C/O changing electrical state
Mechanical robustness	Free fall resistance 1000 mm EN/IEC 60068-2-32
Standards	CSA C22.2 No 14 EN/IEC 60947-1

<b>Radio agreement</b>	ANATEL ARIB T66 FCC ICASA RSS
<b>Communication port protocol</b>	Zigbee green power 2.4 GHz IEEE 802.15.4
<b>Maximum sensing distance</b>	328.08 ft (100 m) in free field 82.02 ft (25 m) transmitter in a plastic box type XAL D and receiver in a metal enclosure 984.25 ft (300 m) transmitter in box type XAL D, receiver in metal enclosure and use relay-antenna
<b>Acquisition time</b>	2 ms
<b>Response time</b>	< 2 ms
<b>Emission Power</b>	3 mW
<b>Fixing mode</b>	Fixing screw beneath head 7.08...10.62 lbf.in (0.8...1.2 N.m)
<b>Electrical composition code</b>	PW1

## Environment

<b>Protective treatment</b>	TH
<b>Ambient Air Temperature for Storage</b>	-40...158 °F (-40...70 °C)
<b>Ambient Air Temperature for Operation</b>	-40...158 °F (-40...70 °C)
<b>Relative humidity</b>	95 % -40...158 °F (-40...70 °C) without condensation
<b>IP degree of protection</b>	IP66 IEC 60529 front face) IP67 IEC 60529 front face) IP69 IEC 60529 front face) IP69K IEC 60529 front face)
<b>IK degree of protection</b>	IK03 IEC 50102
<b>Mechanical durability</b>	1000000 cycles
<b>Shock resistance</b>	25 gn 6 ms) 6000 shocks IEC 60068-2-27 30 gn 18 ms) half sine wave acceleration IEC 60068-2-27 50 gn 11 ms) half sine wave acceleration IEC 60068-2-27
<b>Vibration resistance</b>	5 gn 11...500 Hz)IEC 60068-2-6 +/- 10 mm 2...11 Hz)IEC 60068-2-6
<b>Electromagnetic compatibility</b>	Electrostatic discharge immunity test 8 kV in free air (in insulating parts)) IEC 61000-4-2 Electrostatic discharge immunity test 4 kV on contact (on metal parts)) IEC 61000-4-2 Susceptibility to electromagnetic fields 20 V/m 80...3000 MHz) IEC 61000-4-3 Susceptibility to electromagnetic fields 6 V/m 3000...6000 MHz, distance = 20 m) IEC 61000-4-3
<b>Product Certifications</b>	C-tick GOST BT 2006/95/EC UL CSA CCC
<b>Directives</b>	2004/108/EC - electromagnetic compatibility 1999/5/EC - R&TTE directive

## Ordering and shipping details

<b>Category</b>	22470-XB5R WIRELESS PUSH BUTTON
<b>Discount Schedule</b>	I
<b>GTIN</b>	3606480334528
<b>Nbr. of units in pkg.</b>	1
<b>Package weight(Lbs)</b>	2.89 oz (82.0 g)
<b>Returnability</b>	No
<b>Country of origin</b>	FR

## Packing Units

Unit Type of Package 1	PCE
Package 1 Height	1.38 in (3.5 cm)
Package 1 width	2.05 in (5.2 cm)
Package 1 Length	3.43 in (8.7 cm)
Unit Type of Package 2	S01
Number of Units in Package 2	25
Package 2 Weight	4.93 lb(US) (2.234 kg)
Package 2 Height	5.91 in (15 cm)
Package 2 width	5.91 in (15 cm)
Package 2 Length	15.75 in (40 cm)

## Offer Sustainability

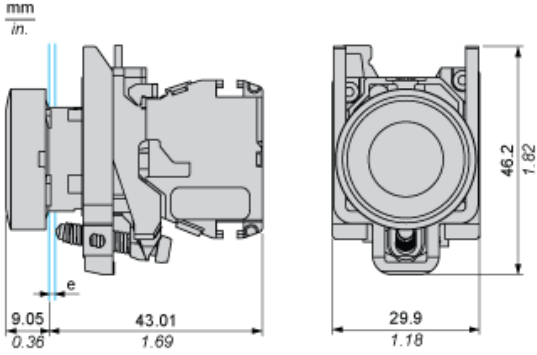
Sustainable offer status	Green Premium product
California proposition 65	WARNING: This product can expose you to chemicals including: Lead and lead compounds, which is known to the State of California to cause cancer and birth defects or other reproductive harm. For more information go to <a href="http://www.P65Warnings.ca.gov">www.P65Warnings.ca.gov</a>
REACH Regulation	<a href="#">REACH Declaration</a>
REACH free of SVHC	Yes
EU RoHS Directive	Pro-active compliance (Product out of EU RoHS legal scope) <a href="#">EU RoHS Declaration</a>
Mercury free	Yes
RoHS exemption information	<a href="#">Yes</a>
China RoHS Regulation	<a href="#">China RoHS declaration</a>
Environmental Disclosure	<a href="#">Product Environmental Profile</a>
Circularity Profile	<a href="#">End of Life Information</a>
WEEE	The product must be disposed on European Union markets following specific waste collection and never end up in rubbish bins.

## Contractual warranty

Warranty	18 months
----------	-----------

Wireless and Batteryless Pushbutton - Transmitter

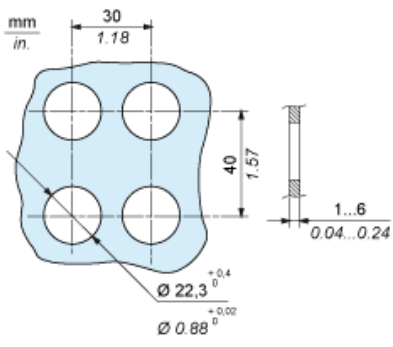
With Metal Pushbutton without Cap



e: panel thickness 1 to 6 mm / 0.039 to 0.24 in.

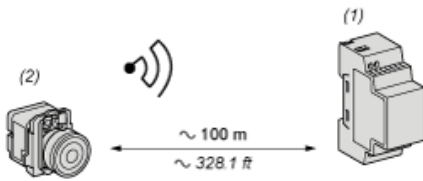
Transmitter Mounting

---



**Transmitter Clearance in Free Field Unobstructed**

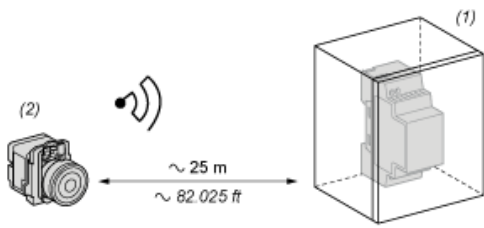
---



- (1): Receiver
- (2): Transmitter

**Transmitter Clearance in a Metal Enclosure**

---



- (1): Metal enclosure
- (2): Transmitter

The range is reduced if the transmitter is placed in a metal enclosure (reduction factor: approx 10%)

Glass window	10...20 %
Plaster wall	30...45 %
Brick wall	60 %
Concrete wall	70...80 %
Metal structure	50...100 %