

Day-Brite

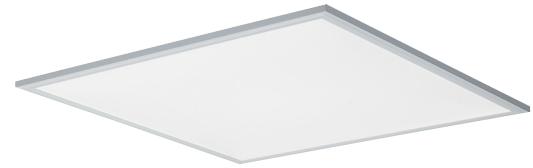


by Signify

Recessed

FluxPanel LED gen 2 2x2

Up to 5400 lumens



Day-Brite/CFI FluxPanel LED gen 2 recessed is a highly versatile luminaire designed to provide smooth lighting gradient on the lens surface and ease of installation. Available for use in recessed, suspended, and surface mount orientation, FluxPanel is ideal for general lighting applications such as open office, schools, healthcare, clean rooms, and retail.

Project: _____
 Location: _____
 Cat.No: _____
 Type: _____
 Lamps: _____ Qty: _____
 Notes: _____

Ordering guide – Standard configurations available with all choices, unless otherwise noted.

Base configurations selections indicated by blue.

Example: 2FPZ38L840-2-DS-UNV-DIM-BSL6LST

Width	Family	Lumens	Color	Length	Diffuser	Voltage	Driver	Options ²
2	FPZ		-	2	DS	-	-	
2 2'	FPZ FluxPanel gen 2	<u>Base configuration⁴</u> 38B 3800 nominal delivered lumens <u>Standard configurations</u> 20L ^{4,9} 2000 nominal delivered lumens 30L 3000 nominal delivered lumens 38L 3800 nominal delivered lumens 45L 4500 nominal delivered lumens 54L 5400 nominal delivered lumens Other lumen packages may be ordered in increments of 100lm from 2000 to 5400 lumens	835 80 CRI, 3500K 840 80 CRI, 4000K 850 80 CRI, 5000K	2 2'	DS Diffuse (smooth)	UNV Universal Voltage, 120-277 volt 120 ³ 120V 277 277V 347 347V	DIM ¹ 0-10V dimming SDIM ⁶ Step dimming to 40% input power XDIM ^{3,6} MarkX phase dimming	F1 3/8" flex, 3 wire 18 gauge 6' F2 3/8" flex, 4 wire 18 gauge 6' F1/D 3/8" twin flex, 3 wire 18 gauge 6' for dimmable luminaires F2/5W 3/8" single flex, 5 wire 18 gauge 6' for dimmable luminaires F2/6W 3/8" single flex, 6 wire 18 gauge 6' for dimmable and emergency luminaires GLR Fusing, fast blow ER100 ^{4,5,11,12} UL924 listed sensor bypass relay, factory installed between driver & sensor BSL10LST ^{5,9} Bodine 10W battery pack BSL6LST ^{5,9} Bodine 6W battery pack SWZCSR ^{1,4,7,9,10} Remote Interact Pro scalable sensor with integral daylight & occupancy sensing, advanced grouping with dwell time SWZDTRM ^{1,4,7} Remote SpaceWise only sensor, daylighting and occupancy, advanced grouping with dwell time RADIO ^{1,4,5,7} Interact Pro RF sensor, enables wireless connected lighting control DSC Quick driver disconnect CHIC Chicago Plenum rated BAC ¹³ Meets the requirements of the Buy American Act of 1933 (BAA)

Footnotes

- Integral control options dimmable to 1% via wireless wall switch. Non-controls options are 0-10V dimmable to 1% for Standard configurations and 5% for Base configurations.
- All options only available with Standard configurations.
- XDIM is 120V only.
- Specify DIM driver option only.
- Not available with 347V option.
- Available in 30L through 54L packages.
- Not available with surface or suspended accessories.
- Maximum of 4 luminaires per controller.
- Emergency and Control options not clean room certified.
- Must order IRT9015 Interact commissioning remote with each system order.
- Must be installed in conjunction with a UL1008 device.
- Must be ordered with an integral controls option.
- Failure to properly select the "BAC" suffix could result in you receiving product that is not BAA compliant product with no recourse for an RMA or refund. This BAC designation hereunder does not address (i) the applicability of, or availability of a waiver under, the Trade Agreements Act, or (ii) the "Buy America" domestic content requirements imposed on states, localities, and other non-federal entities as a condition of receiving funds administered by the Department of Transportation or other federal agencies.
- Consult Signify to confirm whether specific accessories are BAA-compliant.

Accessories¹⁴ (order separately)

- FMA22 – 2'x2' "F" mounting frame for NEMA "F" mounting
- FSK22 – 2'x2' surface mount field installation kit (factory welded seams)
- FSF22 – 2'x2' surface mount field assembly kit (field assembled)
- FPZCH48-1D-SC-UNV – adjustable cable hanger kit with straight white 18/5 cord for dimming (two-1 powered, 1 non-powered)
- FPZCH48-1D-SC-347 – adjustable cable hanger kit with straight white 18/5 cord for dimming (two-1 powered, 1 non-powered)
- SWZDT^{1,7,8,9} – SpaceWise wireless controller with daylighting and occupancy, advanced grouping with dwell time functionality (compatible with all 0-10V options, see SWZDT spec sheet)
- SBAZ10-CS^{1,7,8,9,10} – Interact Ready System Bridge Accessory, refer to Philips System Bridge Accessory specification sheet for options and ordering details
- IRT9015 – handheld remote for grouping and configuration (at least one remote required for any SWZCS installation).



2FPZ FluxPanel LED recessed 2x2

Up to 5400 lumens

Application

- Base configurations are 1 9/16". Standard configurations are 3". Dimensions stated for overall depth, including driver box.
- Even distribution of light on the lens provides exceptionally low glare gradient minimizing distractions at the ceiling plane.
- General light distribution creates uniform horizontal and vertical illuminance on the work plane and limits scalloping on the walls.
- Excellent consistency of correlated color temperature (CCT) per ANSI C78.377.
- CRI 80 minimum color rendering with balanced spectrum.
- Designed for use with standard Grid (NEMA "G") or Narrow Grid (NEMA "NFG") ceiling T-bars. Drywall or plaster application require use with the FMA22 "F" mounting frame accessory (sold and shipped separately).
- Accessory field install kits available for surface (FSF22) and suspended (FPZCH48) mounting.

Construction/Finish

- Die formed galvanized steel housing.
- Extruded aluminum frame post painted with gloss white enamel finish. Corners are precision welded for seamless aesthetic.
- Emergency options available with factory installed battery pack and remote field installed test switch/light with cover plate.

- Die formed driver box with standard access plate for ease of wiring, provides tool-free access to driver(s) from above.
- Back lit LED arrays with optics provide highly efficient and unpixelated transfer of light to the diffuser.
- Integral clips accommodate definitive attachment to T-bar grid for recessed applications.
- Die formed surface box accessory kit post painted gloss white enamel.

Enclosure

- Diffuser provides visual comfort and high efficiency.
- Flat opal lens is easy to clean and provides a uniform aesthetic on the ceiling plane.
- Tight enclosure assembly impedes ingress of dust and insects.

Electrical

- Up to 130 lm/W efficacy.
- High efficiency Advance driver featuring high power factor (>0.90), 120-277V 60/50Hz, and less than 15% THD.
- Minimum start temperature -20°C (-4°F).
- Standard configurations are 0-10V dimming to 1%. Base configurations are to 5%.
- To predict lumen output in emergency mode, multiply emergency pack wattage by luminaire efficacy, then by 1.10. Typical lumen output is 1200lm for BSL10LST, and 850lm for BSL6LST.

- Electromagnetic interference (EMI) compliant to FCC Title 47 Part 15 class A.
- Flicker and stroboscopic effect compliant to NEMA 77-2017.
- TM-21 predicted L70 lumen maintenance up to 90,000 hours per LED manufacturer LM-80 report.
- cULus (Base) or cETLus (Standard) listed to UL and CSA standards, suitable for damp locations.
- Rated for clean room use - meets ISO14644-1 Class 5-9 (equivalent to Federal Standard No. 209E Class 100-100,000)
- Base and Standard configurations are IC rated.
- FluxPanel luminaires are Designlights Consortium® Standard and Premium qualified. Please see the DLC QPL list for exact catalog numbers (www.designlights.org/QPL).

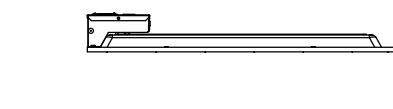
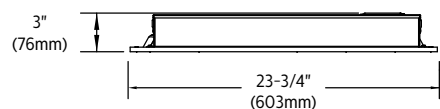
General Notes

- All options factory installed.
- All accessories are field installed.
- Many luminaire components, such as reflectors, refractors, lenses, sockets, lampholders, and LEDs are made from various types of plastics which can be adversely affected by airborne contaminants. If sulfur based chemicals, petroleum based products, cleaning solutions, or other contaminants are expected in the intended area of use, consult factory for compatibility.
- Five year limited luminaire warranty includes LED boards and driver. Visit www.signify.com/warranties for complete warranty information.

Energy data

Luminaire	Catalog Number	Input Power	Efficacy	DLC
2x2 Standard	2FPZ20L840	16	127	Premium
	2FPZ30L840	23	129	Premium
	2FPZ38L840	34	129	Premium
	2FPZ45L840	36	128	Premium
2x2 Base	2FPZ38B840	33	119	Standard

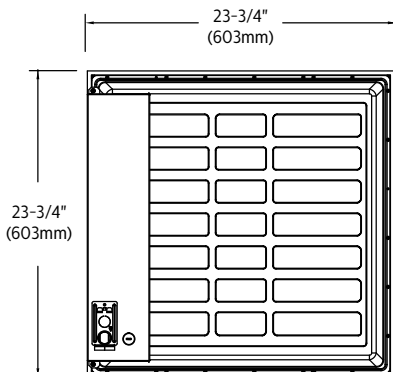
Dimensions



Note: Base configurations are 1-9/16" deep. Standard configurations are 3" deep.

Emergency driver box shown is 20.5" (521mm) long.

Standard non-EM driver box is 10.5" (267mm) long oriented 90° in tabs shown.



2FPZ FluxPanel LED recessed 2x2

Up to 5400 lumens

Wireless Controls Options

SpaceWise DT (SWZDT)

- Standalone daylight and occupancy sensing with advanced grouping, wireless mesh networking and dwell time.
- Commissioning via compatible Android phone and Philips Field App
- Dimming via compatible Zigbee wireless wall switch only (see link below for details)
- Register for the commissioning app at <http://registration.componentcloud.philips.com/appregistration/>
- Integral sensing options may not be combined
- For more information including recommended switches, refer to the following: –
SWZDT – www.usa.lighting.philips.com/systems/lighting-systems/spacewise

Emergency Options (ER100)

- Power Sensing (Factory default) – Recommended UL924 option requires unswitched power sense line, absence of voltage on the normal circuit triggers luminaire to 100% output
- Power Interruption Detection (Field option) – Detects AC power interruption >30ms triggers 90 minute emergency mode with luminaire at 100% output

Interact Pro scalable sensor for Foundation, Advanced & Enterprise tiers (SWZCS and an evolution of SpaceWise)

- SWZCS is a connected sensor with integral occupancy and daylight sensing and supports wireless mesh connectivity.
- The sensor works in the Foundation mode (similar to SpaceWise) when configured without a gateway or in an Interact Pro Advanced or Enterprise mode if a compatible gateway is used.
- Interact Pro includes an App, a portal and a broad portfolio of wireless luminaires, lamps and retrofit kits all working on the same system.
- Startup is implemented via Interact Pro App (Android or iPhone) & BlueTooth connectivity. The App provides flexibility to choose between a gateway or non gateway mode for setup.
- Setup with the gateway requires wired internet access to the gateway. It is possible to add a gateway at a later point.
- Prepare project configuration steps remotely and use IRT9015 remote onsite to identify and group devices together.
- Compatible with:
 - SWS200 wireless scene switch
 - Battery powered IP42 presence sensor OCC sensor IA CM WH 10/1
 - Battery powered IP42 presence & daylight sensor OCC-DL sensor IA CM IP42 WH
 - LCN3110: Battery powered IP65 presence sensor, OCC sensor IA CM IP65WH
 - LCN3120: Battery powered IP65 presence & daylight sensor, OCC-DL sensor IA CM IP65 WH
- For more information on Interact Pro visit: www.interact-lighting.com/interactproscalablesystem

Radio only sensor (RADIO)

- Integral RADIO only sensor simply enables wireless mesh connectivity to the luminaire without any occupancy or daylight sensing.
- Ideal for applications where sensing functionality is managed by other Interact devices and the luminaire only needs to have wireless connectivity.

2FPZ FluxPanel LED recessed 2x2

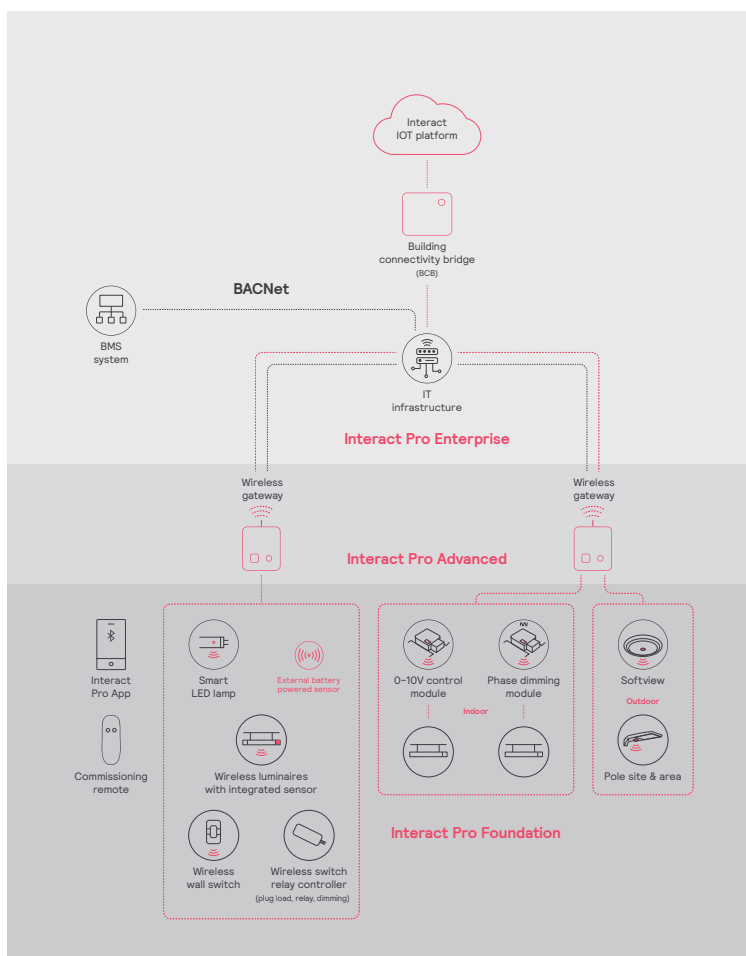
Up to 5400 lumens

Interact Pro scalable system			
	Foundation	Advanced	Enterprise
Dimming, grouping, and zoning	✓	✓	✓
Bluetooth and ZigBee enabled	✓	✓	✓
Motion sensing and daylight harvesting	✓	✓	✓
Integration with 0-10V and phase dimming fixtures	✓	✓	✓
Code compliance	✓	✓	✓
Granular dimming and dwell time	✓	✓	✓
Energy reporting and monitoring		✓	✓
Scheduling		✓	✓
Demand response		✓	✓
BMS integration (BACnet)			✓
Floor plan visualization			✓
IoT sensors for wellness			✓
IoT Apps for productivity			✓

Currently supported maximum system size

To be able to design the lighting system correctly for the customer, it is important to know the prime characteristics of the system, its possibilities and limitations.

System level	
Total number of gateways	Unlimited
Total number of devices	200 per network
• luminaires with integrated sensors	150
• smart TLEDs	150
Total number of ZGP devices (sensors and switches)	50
• sensors	30
• switches	50
• zones and groups	64
Group level	
Recommended number of lights	40 (recommended 25)
Number of ZGP devices	5
Number of scenes	16



2FPZ FluxPanel LED recessed 2x2

Up to 5400 lumens

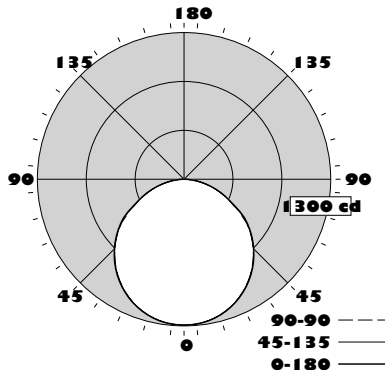
2FPZ38L835-2-DS-UNV-DIM

Luminaire Lumens	3710
Luminaire Efficacy Rating (LER)	125
Total Luminaire Watts	29.8
Spacing Criterion (0-180)	1.26

Candela Distribution						Flux
	0	22.5	45	67.5	90	Lumens
0	1293	1293	1293	1293	1293	
5	1288	1287	1288	1287	1288	122
15	1245	1244	1244	1244	1245	351
25	1159	1156	1155	1156	1159	533
35	1034	1030	1028	1030	1034	644
45	873	869	866	869	873	671
55	686	681	677	681	686	607
65	445	441	439	441	445	442
75	248	244	244	244	248	259
85	69	67	71	67	69	79
90	4	8	24	8	4	

Zonal Lumen Summary			
Zone	Lumens	%Fixture	%Lamp
0-30	1007	27.1%	27.1%
0-40	1651	44.5%	44.5%
0-60	2928	78.9%	78.9%
0-90	3709	100.0%	100.0%
0-180	3710	100.0%	100.0%

Avg. Luminance (cd/m ²)			
	0	90	180
0	4247	4247	4247
5	4247	4246	4247
15	4234	4230	4234
25	4199	4185	4199
35	4145	4120	4145
45	4056	4023	4056
55	3930	3879	3930
65	3461	3414	3461
75	3146	3096	3146
85	2604	2657	2604



Coefficients of Utilization %											
Pc---	80				70			50			0
Pw---	70	50	30	10	70	50	30	50	30	10	0
RCR											
0	119	119	119	119	116	116	116	111	111	111	100
1	109	104	99	96	106	101	98	97	94	91	83
2	99	90	83	78	96	88	82	85	80	75	69
3	90	79	71	65	87	78	70	75	68	63	58
4	82	70	61	55	80	69	61	66	59	53	50
5	76	63	54	47	74	62	53	59	52	46	43
6	70	56	47	41	68	55	47	54	46	40	38
7	65	51	42	36	63	50	42	49	41	36	33
8	60	47	38	32	59	46	38	45	37	32	30
9	56	43	35	29	55	42	34	41	34	29	27
10	53	39	32	26	51	39	31	38	31	26	24

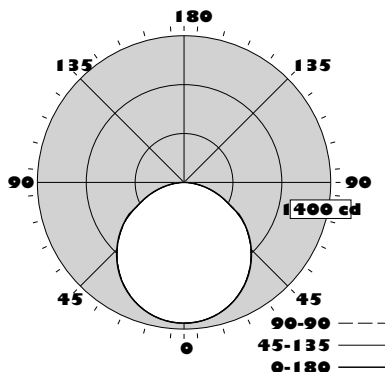
2FPZ38L840-2-DS-UNV-DIM

Luminaire Lumens	3857
Luminaire Efficacy Rating (LER)	129
Total Luminaire Watts	29.8
Spacing Criterion (0-180)	1.27

Candela Distribution						Flux
	0	22.5	45	67.5	90	Lumens
0	1344	1344	1344	1344	1344	
5	1339	1337	1339	1337	1339	127
15	1294	1292	1293	1292	1294	365
25	1204	1202	1201	1202	1204	554
35	1074	1071	1068	1071	1074	670
45	908	904	901	904	908	697
55	713	708	705	708	713	632
65	463	459	456	459	463	461
75	257	253	252	253	257	269
85	71	69	71	69	71	81
90	4	8	22	8	4	

Zonal Lumen Summary			
Zone	Lumens	%Fixture	%Lamp
0-30	1046	27.1%	27.1%
0-40	1716	44.5%	44.5%
0-60	3045	78.9%	78.9%
0-90	3856	100.0%	100.0%
0-180	3857	100.0%	100.0%

Avg. Luminance (cd/m ²)			
	0	90	180
0	4413	4413	4413
5	4415	4413	4415
15	4400	4397	4400
25	4363	4351	4363
35	4307	4283	4307
45	4216	4185	4216
55	4084	4035	4084
65	3594	3543	3594
75	3256	3203	3256
85	2676	2679	2676



Coefficients of Utilization %											
Pc---	80				70			50			0
Pw---	70	50	30	10	70	50	30	50	30	10	0
RCR											
0	119	119	119	119	116	116	116	111	111	111	100
1	109	104	99	96	106	102	98	97	94	91	83
2	99	90	83	78	96	88	82	85	80	75	69
3	90	79	71	65	87	78	70	75	68	63	58
4	82	70	61	55	80	69	61	66	59	53	50
5	76	63	54	47	74	62	53	59	52	46	43
6	70	56	47	41	68	55	47	54	46	40	38
7	65	51	42	36	63	50	42	49	41	36	33
8	60	47	38	32	59	46	38	45	37	32	30
9	56	43	35	29	55	42	34	41	34	29	27
10	53	39	32	26	51	39	31	38	31	26	24



© 2022 Signify Holding. All rights reserved. The information provided herein is subject to change, without notice. Signify does not give any representation or warranty as to the accuracy or completeness of the information included herein and shall not be liable for any action in reliance thereon. The information presented in this document is not intended as any commercial offer and does not form part of any quotation or contract, unless otherwise agreed by Signify.

Signify North America Corporation
400 Crossing Blvd, Suite 600
Bridgewater, NJ 08807
Telephone 855-486-2216

Signify Canada Ltd.
281 Hillmount Road,
Markham, ON, Canada L6C 2S3
Telephone 800-668-9008

All trademarks are owned by Signify Holding or their respective owners.