

# Day-Brite



by Signify

Recessed

FluxPanel LED gen 2 2x4

Up to 8000 lumens



Day-Brite/CFI FluxPanel LED gen 2 recessed is a highly versatile luminaire designed to provide smooth lighting gradient on the lens surface and ease of installation. Available for use in recessed, suspended, and surface mount orientation, FluxPanel gen 2 is ideal for general lighting applications such as open office, schools, healthcare, clean rooms, and retail.

Project: \_\_\_\_\_  
 Location: \_\_\_\_\_  
 Cat.No: \_\_\_\_\_  
 Type: \_\_\_\_\_  
 Lamps: \_\_\_\_\_ Qty: \_\_\_\_\_  
 Notes: \_\_\_\_\_

**Ordering guide – Standard configurations available with all choices, unless otherwise noted.**  
 Base configurations selections indicated by blue.

Example: 2FPZ43L840-4-DS-UNV-DIM-BSL10LST

Width	Family	Lumens	Color	Length	Diffuser	Voltage	Driver	Options <sup>2</sup>
2	FPZ		-	4	DS	-	-	
2	2' FPZ FluxPanel gen 2	<p><b>Base configuration<sup>4</sup></b></p> <p><b>42B</b> 4200 nominal delivered lumens</p> <p><b>Standard configurations</b></p> <p><b>15L<sup>4,9</sup></b> 1500 nominal delivered lumens</p> <p><b>30L</b> 3000 nominal delivered lumens</p> <p><b>38L</b> 3800 nominal delivered lumens</p> <p><b>43L</b> 4300 nominal delivered lumens</p> <p><b>48L</b> 4800 nominal delivered lumens</p> <p><b>54L</b> 5400 nominal delivered lumens</p> <p><b>60L</b> 6000 nominal delivered lumens</p> <p><b>74L</b> 7400 nominal delivered lumens</p> <p><b>80L</b> 8000 nominal delivered lumens</p> <p>Other lumen packages may be ordered in increments of 100lm from 1500 to 8000 lumens</p>	<p><b>835</b> 80 CRI, 3500K</p> <p><b>840</b> 80 CRI, 4000K</p> <p><b>850</b> 80 CRI, 5000K</p>	4 4'	DS Diffuse (smooth)	<p><b>UNV</b> Universal Voltage, 120-277 volt</p> <p><b>120<sup>3</sup></b> 120V</p> <p><b>277</b> 277V</p> <p><b>347</b> 347V</p>	<p><b>DIM<sup>1</sup></b> 0-10V dimming</p> <p><b>SDIM<sup>6</sup></b> Step dimming to 40% input power</p> <p><b>XDIM<sup>3,6</sup></b> MarkX phase dimming</p>	<p><b>F1</b> 3/8" flex, 3 wire 18 gauge 6'</p> <p><b>F2</b> 3/8" flex, 4 wire 18 gauge 6'</p> <p><b>F1/D</b> 3/8" twin flex, 3 wire 18 gauge 6' for dimmable luminaires</p> <p><b>F2/5W</b> 3/8" single flex, 5 wire 18 gauge 6' for dimmable luminaires</p> <p><b>F2/6W</b> 3/8" single flex, 6 wire 18 gauge 6' for dimmable and emergency luminaires</p> <p><b>GLR</b> Fusing, fast blow</p> <p><b>ER100<sup>4,5,11,12</sup></b> UL924 listed sensor bypass relay, factory installed between driver &amp; sensor</p> <p><b>BSL10LST<sup>5,9</sup></b> Bodine 10W battery pack</p> <p><b>BSL6LST<sup>5,9</sup></b> Bodine 6W battery pack</p> <p><b>SWZCSR<sup>1,4,7,9,10</sup></b> Remote Interact Pro scalable sensor with integral daylight &amp; occupancy sensing, advanced grouping with dwell time</p> <p><b>SWZDTRM<sup>1,4,7,9</sup></b> Remote SpaceWise only sensor, daylighting and occupancy, advanced grouping with dwell time</p> <p><b>RADIO<sup>1,4,5,7</sup></b> Interact Pro RF sensor, enables wireless connected lighting control</p> <p><b>DSC</b> Quick driver disconnect</p> <p><b>CHIC</b> Chicago Plenum rated</p> <p><b>BAC<sup>13</sup></b> Meets the requirements of the Buy American Act of 1933 (BAA)</p>

## Footnotes

- Integral control options dimmable to 1% via wireless wall switch. Non-controls options are 0-10V dimmable to 1% for Standard configurations and 5% for Base configurations.
- All options only available with Standard configurations
- XDIM is 120V only.
- Specify DIM driver option only
- Not available with 347V option
- Available in 30L through 54L packages
- Not available with surface or suspended accessories
- Maximum of 4 luminaires per controller
- Emergency and Control options not clean room certified.
- Must order IRT9015 Interact commissioning remote with each system order.
- Must be installed in conjunction with a UL1008 device.
- Must be ordered with an integral controls option.
- Failure to properly select the "BAC" suffix could result in you receiving product that is not BAA compliant product with no recourse for an RMA or refund. This BAC designation hereunder does not address (i) the applicability of, or availability of a waiver under, the Trade Agreements Act, or (ii) the "Buy America" domestic content requirements imposed on states, localities, and other non-federal entities as a condition of receiving funds administered by the Department of Transportation or other federal agencies.
- Consult Signify to confirm whether specific accessories are BAA-compliant.

## Accessories<sup>14</sup> (order separately)

- FMA24** - 2'x4" "F" mounting frame for NEMA "F" mounting
- FSK24** - 2'x4" surface mount field installation kit (factory welded seams)
- FSF24** - 2'x4" surface mount field assembly kit (field assembled)
- FPZCH48-1D-SC-UNV** - adjustable cable hanger kit with straight white 18/5 cord for dimming (two-1 powered, 1 non-powered)
- FPZCH48-1D-SC-347** - adjustable cable hanger kit with straight white 18/5 cord for dimming (two-1 powered, 1 non-powered)
- SWZDT<sup>1,7,8,9</sup>** - SpaceWise wireless controller with daylighting and occupancy, advanced grouping with dwell time functionality (compatible with all 0-10V options, see SWZDT spec sheet)
- SBAZ10-CS<sup>1,7,8,9,10</sup>** - Interact Ready System Bridge Accessory, refer to Philips System Bridge Accessory specification sheet for options and ordering details
- IRT9015** - handheld remote for grouping and configuration (at least one remote required for any SWZCS installation)



# 2FPZ FluxPanel LED recessed 2x4

## Up to 8000 lumens

### Application

- Base configurations are 1-9/16". Standard configurations are 3" Dimensions stated for overall depth, including driver box.
- Even distribution of light on the lens provides exceptionally low glare gradient minimizing distractions at the ceiling plane.
- General light distribution creates uniform horizontal and vertical illuminance on the work plane and limits scalloping on the walls.
- Excellent consistency of correlated color temperature (CCT) per ANSI C78.377.
- CRI 80 minimum color rendering with balanced spectrum.
- Designed for use with standard Grid (NEMA "G") or Narrow Grid (NEMA "NFG") ceiling T-bars. Drywall or plaster application require use with the FMA24 "F" mounting frame accessory (sold and shipped separately).
- Accessory field install kits available for surface (FSF24) and suspended (FPZCH48) mounting.

- Backlit LED arrays with optics provide highly efficient and unipixelated transfer of light to the lens.
- Integral clips accommodate definitive attachment to T-bar grid for recessed applications.
- Die formed surface box accessory kit post painted gloss white enamel.

- TM-21 predicted L70 lumen maintenance up to 90,000 hours per LED manufacturer LM-80 report.
- cULus (Base) or cETLus (Standard) listed to UL and CSA standards, suitable for damp locations.
- Rated for clean room use -- meets ISO14644-1 Class 5-9 (equivalent to Federal Standard No. 209E Class 100-100,000)
- Base and Standard configurations are IC rated.
- FluxPanel luminaires are Designlights Consortium® qualified. Please see the DLC QPL list for exact catalog numbers ([www.designlights.org/QPL](http://www.designlights.org/QPL)).

### Enclosure

- Diffuser provides visual comfort and high efficiency.
- Flat opal lens is easy to clean and provides a uniform aesthetic on the ceiling plane.
- Tight enclosure assembly impedes ingress of dust and insects.

### Electrical

- Up to 130 lm/W efficacy.
- High efficiency Advance driver featuring high power factor (>0.90), 120-277V 60/50Hz, and less than 15% THD.
- Minimum start temperature -20°C (-4°F).
- Standard configurations are 0-10V dimming to 1%. Base configurations are to 5%.
- To predict lumen output in emergency mode, multiply emergency pack wattage by luminaire efficacy, then by 1.10. Typical lumen output is 1300lm for BSL10LST, and 800lm for BSL6LST.
- Electromagnetic interference (EMI) compliant to FCC Title 47 Part 15 class A.
- Flicker and stroboscopic effect compliant to NEMA 77-2017.

### General Notes

- All options factory installed.
- All accessories are field installed.
- Many luminaire components, such as reflectors, refractors, lenses, sockets, lampholders, and LEDs are made from various types of plastics which can be adversely affected by airborne contaminants. If sulfur based chemicals, petroleum based products, cleaning solutions, or other contaminants are expected in the intended area of use, consult factory for compatibility.
- Five year limited luminaire warranty includes LED boards and driver. Visit [www.signify.com/warranties](http://www.signify.com/warranties) for complete warranty information.

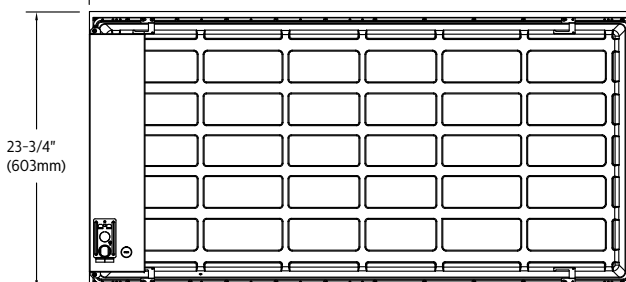
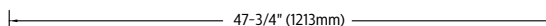
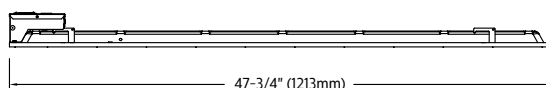
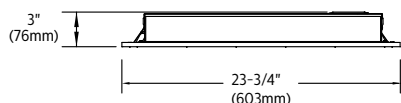
### Construction/Finish

- Die formed galvanized steel housing.
- Extruded aluminum frame post painted with gloss white enamel finish. Corners are precision welded for seamless aesthetic.
- Emergency options available with factory installed battery pack and remote field installed test switch/light with cover plate.
- Die formed driver box with standard access plate for ease of wiring, provides tool-free access to driver(s) from above.

### Energy data

Luminaire	Catalog Number	Input Power	Efficacy	DLC
2x4 Standard	2FPZ15L840	12	129	Standard
	2FPZ30L840	23	132	Premium
	2FPZ38L840	29	129	Premium
	2FPZ43L840	30	132	Premium
	2FPZ48L840	37	131	Premium
	2FPZ54L840	42	129	Premium
	2FPZ60L840	47	130	Premium
2x4 Base	2FPZ42B840	40	110	Standard

### Dimensions



**Note:** Base configurations are 1-9/16" deep. Standard configurations are 3" deep.

Emergency driver box shown is 20.5" (521mm) long.

Standard non-EM driver box is 10.5" (267mm) long

# 2FPZ FluxPanel LED recessed 2x4

Up to 8000 lumens

## Wireless Controls Options

### SpaceWise DT (SWZDT)

- Standalone daylight and occupancy sensing with advanced grouping, wireless mesh networking and dwell time.
- Commissioning via compatible Android phone and Philips Field App
- Dimming via compatible Zigbee wireless wall switch only (see link below for details)
- Register for the commissioning app at <http://registration.componentcloud.philips.com/appregistration/>
- Integral sensing options may not be combined
- For more information including recommended switches, refer to the following: –

**SWZDT** – [www.usa.lighting.philips.com/systems/lighting-systems/spacewise](http://www.usa.lighting.philips.com/systems/lighting-systems/spacewise)

### Emergency Options (ER100)

- Power Sensing (Factory default) – Recommended UL924 option requires unswitched power sense line, absence of voltage on the normal circuit triggers luminaire to 100% output
- Power Interruption Detection (Field option) – Detects AC power interruption >30ms triggers 90 minute emergency mode with luminaire at 100% output

### Interact Pro scalable sensor for Foundation, Advanced & Enterprise tiers (SWZCS and an evolution of SpaceWise)

- SWZCS is a connected sensor with integral occupancy and daylight sensing and supports wireless mesh connectivity.
- The sensor works in the Foundation mode (similar to SpaceWise) when configured without a gateway or in an Interact Pro Advanced or Enterprise mode if a compatible gateway is used.
- Interact Pro includes an App, a portal and a broad portfolio of wireless luminaires, lamps and retrofit kits all working on the same system.
- Startup is implemented via Interact Pro App (Android or iPhone) & BlueTooth connectivity. The App provides flexibility to choose between a gateway or non gateway mode for setup.
- Setup with the gateway requires wired internet access to the gateway. It is possible to add a gateway at a later point.
- Prepare project configuration steps remotely and use IRT9015 remote onsite to identify and group devices together.
- Compatible with:
  - SWS200 wireless scene switch
  - Battery powered IP42 presence sensor OCC sensor IA CM WH 10/1
  - Battery powered IP42 presence & daylight sensor OCC-DL sensor IA CM IP42 WH
  - LCN3110: Battery powered IP65 presence sensor, OCC sensor IA CM IP65WH
  - LCN3120: Battery powered IP65 presence & daylight sensor, OCC-DL sensor IA CM IP65 WH
- For more information on Interact Pro visit: [www.interact-lighting.com/interactproscalablesystem](http://www.interact-lighting.com/interactproscalablesystem)

### Radio only sensor (RADIO)

- Integral RADIO only sensor simply enables wireless mesh connectivity to the luminaire without any occupancy or daylight sensing.
- Ideal for applications where sensing functionality is managed by other Interact devices and the luminaire only needs to have wireless connectivity.

# 2FPZ FluxPanel LED recessed 2x4

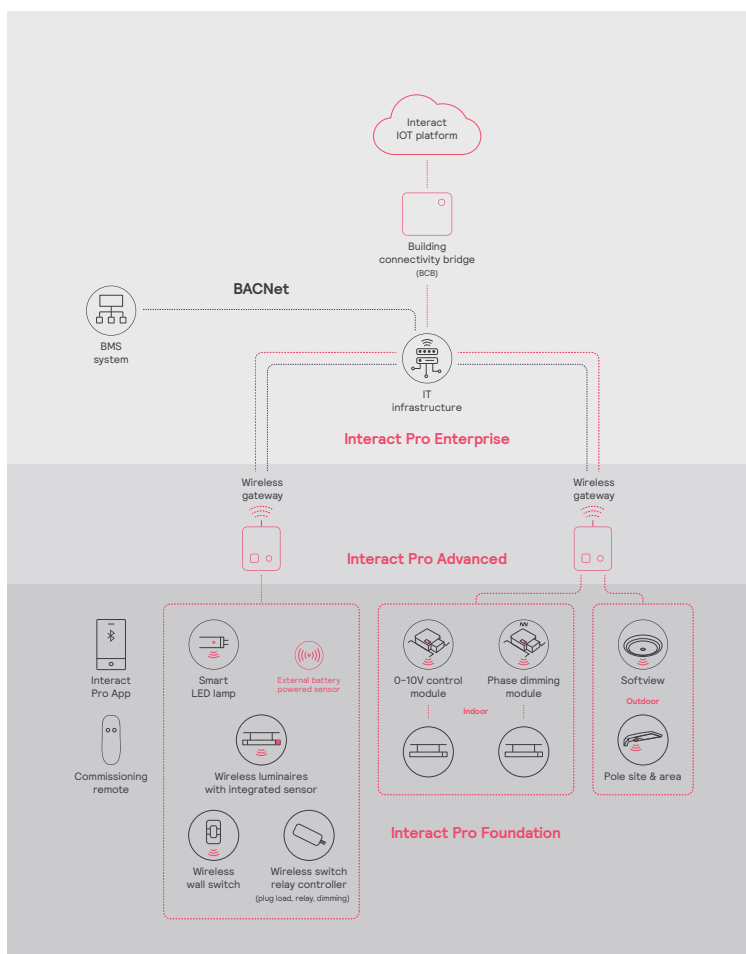
Up to 8000 lumens

Interact Pro scalable system			
	Foundation	Advanced	Enterprise
Dimming, grouping, and zoning	✓	✓	✓
Bluetooth and ZigBee enabled	✓	✓	✓
Motion sensing and daylight harvesting	✓	✓	✓
Integration with 0-10V and phase dimming fixtures	✓	✓	✓
Code compliance	✓	✓	✓
Granular dimming and dwell time	✓	✓	✓
Energy reporting and monitoring		✓	✓
Scheduling		✓	✓
Demand response		✓	✓
BMS integration (BACnet)			✓
Floor plan visualization			✓
IoT sensors for wellness			✓
IoT Apps for productivity			✓

## Currently supported maximum system size

To be able to design the lighting system correctly for the customer, it is important to know the prime characteristics of the system, its possibilities and limitations.

System level	
Total number of gateways	Unlimited
Total number of devices	200 per network
• luminaires with integrated sensors	150
• smart TLEDs	150
Total number of ZGP devices (sensors and switches)	50
• sensors	30
• switches	50
• zones and groups	64
Group level	
Recommended number of lights	40 (recommended 25)
Number of ZGP devices	5
Number of scenes	16

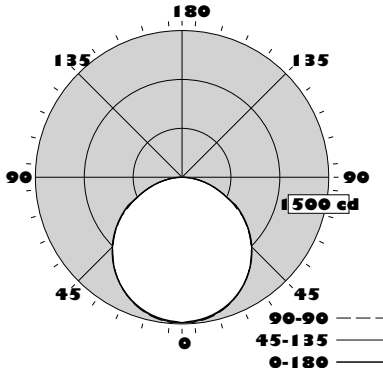


# 2FPZ FluxPanel LED recessed 2x4

Up to 8000 lumens

## 2FPZ43L835-4-DS-UNV-DIM

Luminaire Lumens	4317
Luminaire Efficacy Rating (LER)	132
Total Luminaire Watts	32.6
Spacing Criterion (0-180)	1.26



Candela Distribution					Flux	
	0	22.5	45	67.5	90	Lumens
0	1488	1488	1488	1488	1488	
5	1474	1483	1489	1483	1474	141
15	1425	1433	1438	1433	1425	404
25	1329	1333	1333	1333	1329	614
35	1189	1189	1185	1189	1189	743
45	1008	1005	999	1005	1008	775
55	794	790	783	790	794	705
65	520	536	533	536	520	528
75	293	290	288	290	293	307
85	85	84	89	84	85	98
90	4	15	34	15	4	

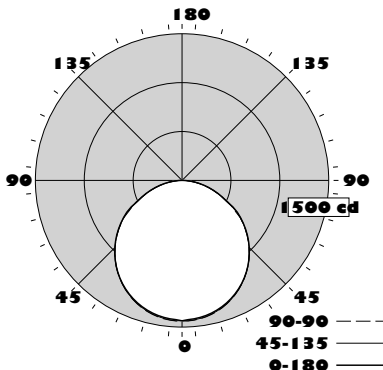
Zonal Lumen Summary			
Zone	Lumens	%Fixture	%Lamp
0-30	1159	26.8%	26.8%
0-40	1902	44.1%	44.1%
0-60	3381	78.3%	78.3%
0-90	4314	99.9%	99.9%
0-180	4317	100.0%	100.0%

Avg. Luminance (cd/m²)			
	0	90	180
0	2441	2441	2441
5	2427	2451	2427
15	2420	2441	2420
25	2405	2413	2405
35	2380	2372	2380
45	2337	2318	2337
55	2271	2240	2271
65	2019	2067	2019
75	1857	1822	1857
85	1596	1681	1596

Coefficients of Utilization %											
Pc---	80				70			50			0
Pw---	70	50	30	10	70	50	30	50	30	10	0
RCR											
0	119	119	119	119	116	116	116	111	111	111	100
1	109	104	99	95	106	101	97	97	94	91	83
2	99	90	83	77	96	88	82	85	79	75	69
3	90	79	71	64	87	77	70	74	68	62	58
4	82	70	61	54	80	69	60	66	59	53	49
5	75	62	53	47	73	61	53	59	52	46	43
6	70	56	47	41	68	55	47	53	46	40	37
7	65	51	42	36	63	50	42	49	41	35	33
8	60	46	38	32	58	46	38	44	37	32	29
9	56	43	34	29	55	42	34	41	34	28	26
10	53	39	31	26	51	39	31	38	31	26	24

## 2FPZ43L840-4-DS-UNV-DIM

Luminaire Lumens	4164
Luminaire Efficacy Rating (LER)	128
Total Luminaire Watts	32.5
Spacing Criterion (0-180)	1.26



Candela Distribution					Flux	
	0	22.5	45	67.5	90	Lumens
0	1436	1436	1436	1436	1436	
5	1421	1432	1435	1432	1421	136
15	1374	1383	1386	1383	1374	390
25	1281	1287	1288	1287	1281	593
35	1145	1148	1147	1148	1145	718
45	971	971	969	971	971	749
55	765	762	759	762	765	681
65	501	498	516	498	501	506
75	284	279	279	279	284	297
85	83	80	84	80	83	94
90	7	11	30	11	7	

Zonal Lumen Summary			
Zone	Lumens	%Fixture	%Lamp
0-30	1118	26.9%	26.9%
0-40	1836	44.1%	44.1%
0-60	3266	78.4%	78.4%
0-90	4162	100.0%	100.0%
0-180	4164	100.0%	100.0%

Avg. Luminance (cd/m²)			
	0	90	180
0	2355	2355	2355
5	2340	2363	2340
15	2333	2354	2333
25	2318	2332	2318
35	2294	2297	2294
45	2253	2247	2253
55	2189	2170	2189
65	1944	2001	1944
75	1797	1767	1797
85	1564	1585	1564

Coefficients of Utilization %											
Pc---	80				70			50			0
Pw---	70	50	30	10	70	50	30	50	30	10	0
RCR											
0	119	119	119	119	116	116	116	111	111	111	100
1	109	104	99	95	106	101	97	97	94	91	83
2	99	90	83	77	96	88	82	85	79	75	69
3	90	79	71	64	87	77	70	74	68	62	58
4	82	70	61	54	80	69	60	66	59	53	49
5	75	62	53	47	73	61	53	59	52	46	43
6	70	56	47	41	68	55	47	53	46	40	37
7	65	51	42	36	63	50	42	49	41	35	33
8	60	46	38	32	58	46	38	44	37	32	29
9	56	43	34	29	55	42	34	41	34	28	26
10	53	39	31	26	51	39	31	38	31	26	24



© 2022 Signify Holding. All rights reserved. The information provided herein is subject to change, without notice. Signify does not give any representation or warranty as to the accuracy or completeness of the information included herein and shall not be liable for any action in reliance thereon. The information presented in this document is not intended as any commercial offer and does not form part of any quotation or contract, unless otherwise agreed by Signify.

Signify North America Corporation  
400 Crossing Blve, Suite 600  
Bridgewater, NJ 08807  
Telephone 855-486-2216

Signify Canada Ltd.  
281 Hillmount Road,  
Markham, ON, Canada L6C 2S3  
Telephone 800-668-9008

All trademarks are owned by Signify Holding or their respective owners.