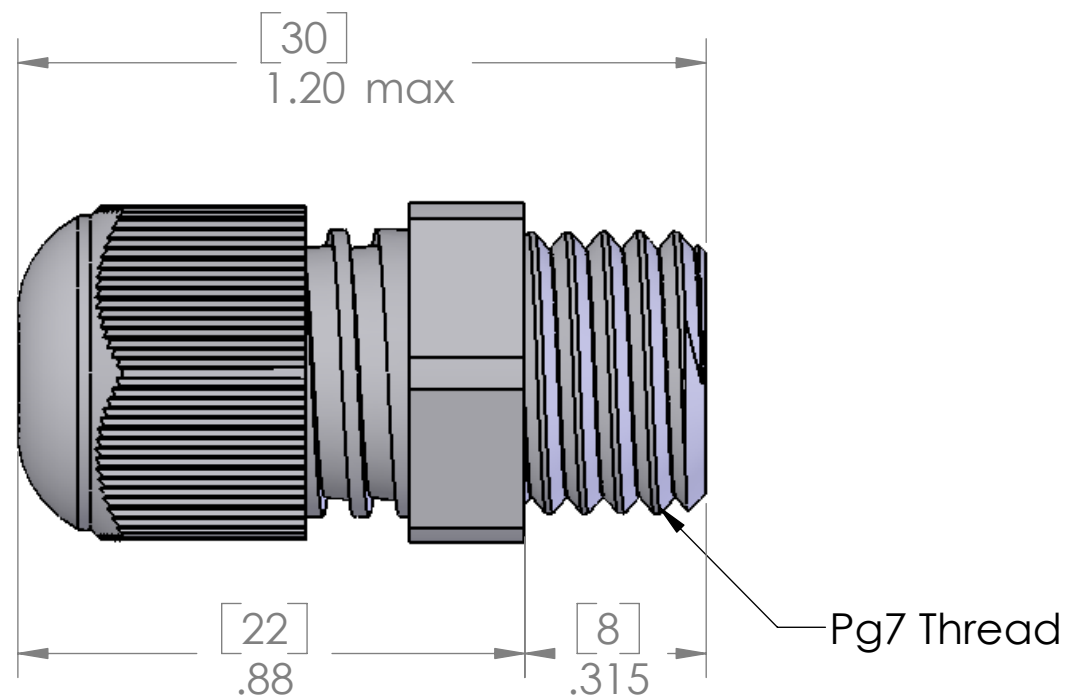
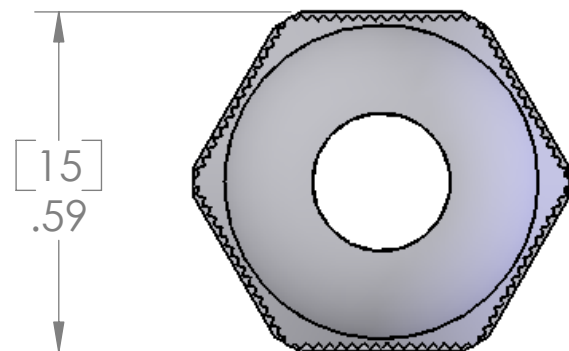


REVISIONS		
REV.	DESCRIPTION	DATE
A	REDRAWN IN SW	5/10/2006



LOCK NUT INCLUDED BUT NOT SHOWN

NO O-RING IS NECESSARY TO OBTAIN IP68 SEAL. CRUSH RIBS ON THE UNDERSIDE OF HEX WILL PROVIDE THE SEAL.

SEAL RATED TO: IP68

MATERIALS	
BODY:	GRAY OR BLACK POLYAMIDE
GROMMET:	NEOPRENE

SPECIFICATIONS:	
TIGHTENING TORQUE:	2.5 Nm
TEMPERATURE:	-20°C - +100°C

APPROVALS:	
US	UL RECOGNIZED
CANADA	C-UL RECOGNIZED

PART NUMBER	COLOR	SEALING RANGE
PCG-07	GRAY	3-6.5mm
PCG-07R	GRAY	2-5mm
PCG-07-B	BLACK	3-6.5mm
PCG-07R-B	BLACK	2-5mm

UNLESS OTHERWISE SPECIFIED: DIMENSIONS ARE IN INCHES		NAME BEM	MENCOM CORPORATION	
DRAWN	CHECKED	ENG APPR.	TITLE:	
MFG APPR.	Q.A.	COMMENTS:	SIZE B	DWG. NO. PCG-07
MATERIAL	FINISH		SCALE: 3:1	WEIGHT:
SPECIFICATIONS		DO NOT SCALE DRAWING		REV A
			SHEET 1 OF 1	

PROPRIETARY AND CONFIDENTIAL
THE INFORMATION CONTAINED IN THIS DRAWING IS THE SOLE PROPERTY OF MENCOM CORPORATION. ANY REPRODUCTION IN PART OR AS A WHOLE WITHOUT THE WRITTEN PERMISSION OF MENCOM CORPORATION IS PROHIBITED.