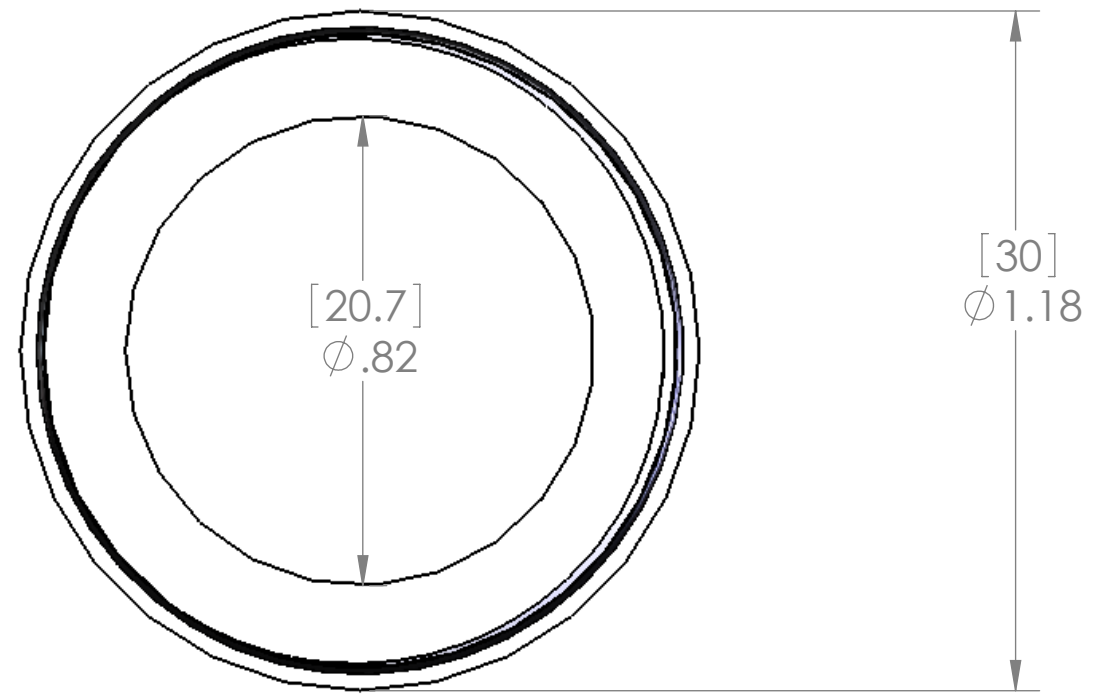
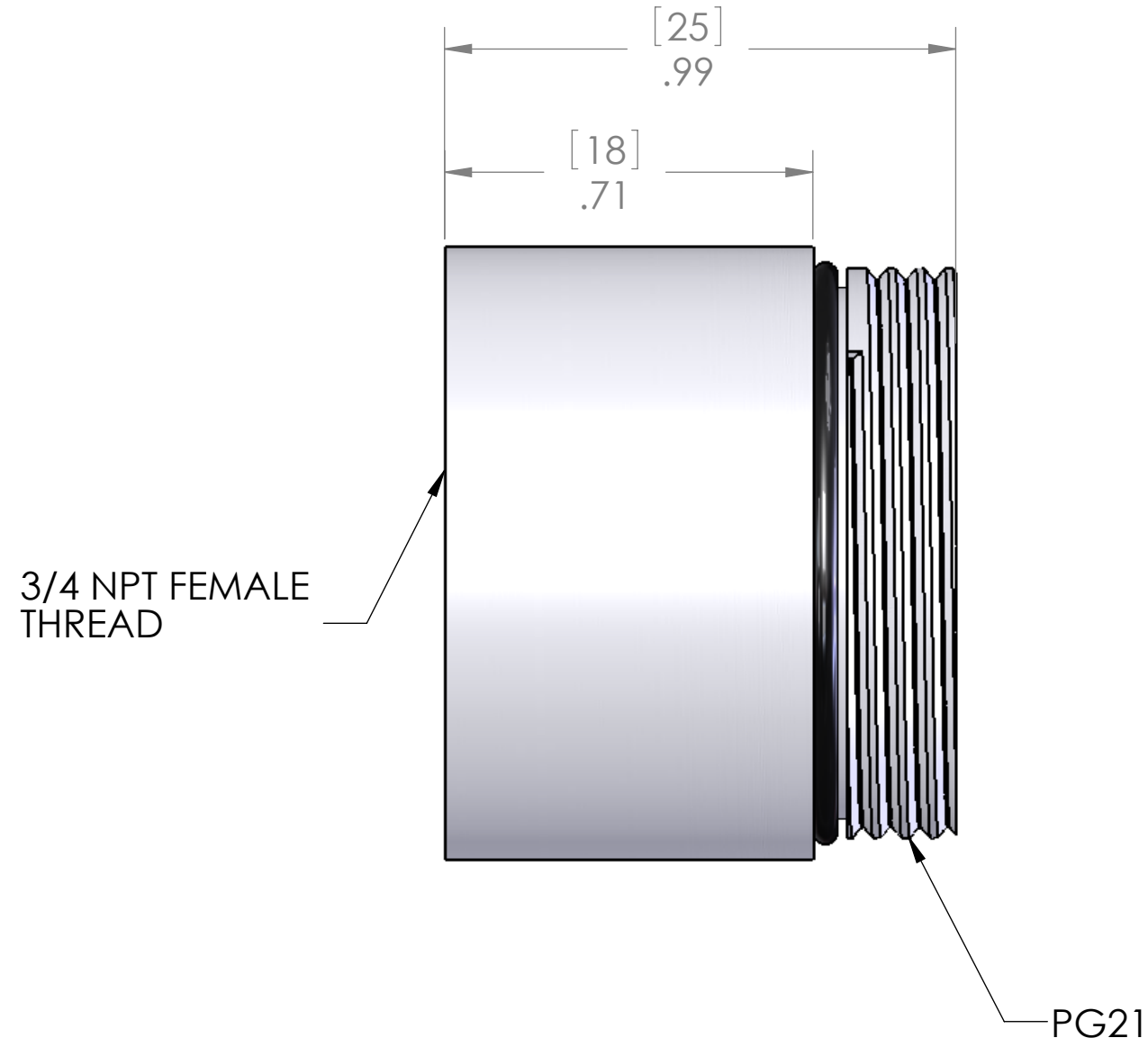


REVISIONS			
REV.	DESCRIPTION	DATE	APPROVED
A	REDRAWN IN SW	7/26/2006	



PROPRIETARY AND CONFIDENTIAL
 THE INFORMATION CONTAINED IN THIS DRAWING IS THE SOLE PROPERTY OF MENCOM CORPORATION. ANY REPRODUCTION IN PART OR AS A WHOLE WITHOUT THE WRITTEN PERMISSION OF MENCOM CORPORATION IS PROHIBITED.

UNLESS OTHERWISE SPECIFIED:		NAME		MENCOM CORPORATION
DIMENSIONS ARE IN INCHES AND [MM]		DRAWN	DWM	
		CHECKED		TITLE:
		ENG APPR.		PG21 MALE TO 3/4" NPT FEM ADPT
		MFG APPR.		
		Q.A.		
		COMMENTS:		
MATERIAL		SIZE	DWG. NO.	REV
FINISH		B	PG21-34	A
DO NOT SCALE DRAWING		SCALE: 3:1	WEIGHT:	SHEET 1 OF 1