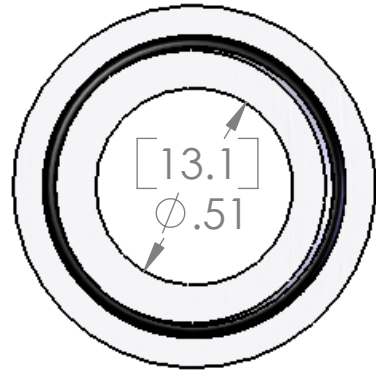
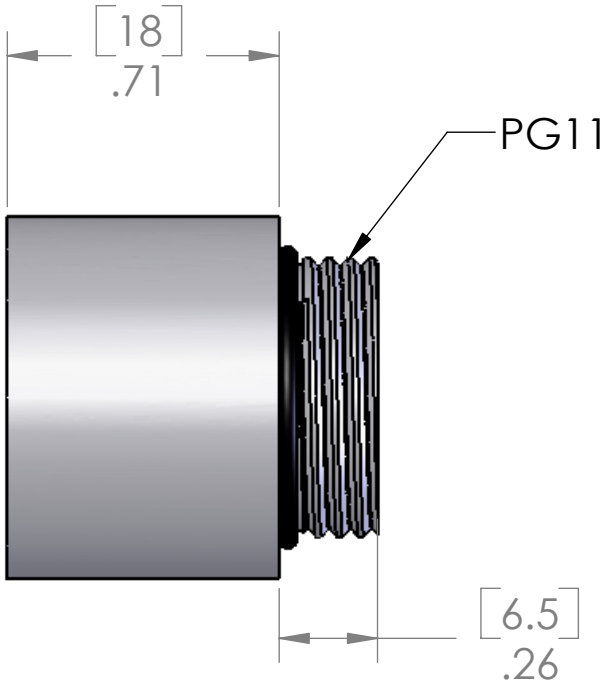
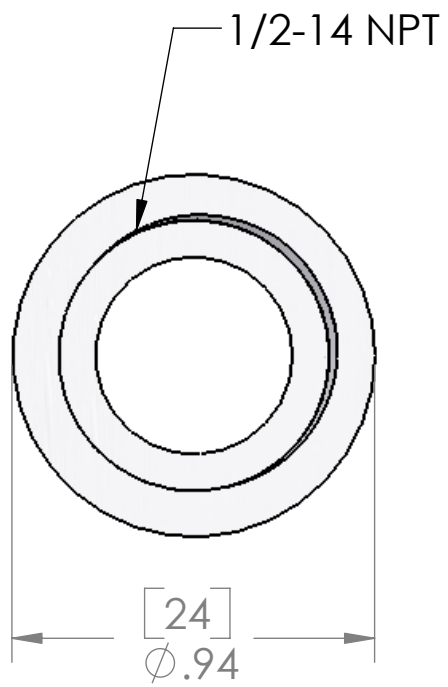


REVISIONS			
REV.	DESCRIPTION	DATE	APPROVED
A	REDRAWN IN SW	8/14/2006	



<b>MATERIALS:</b>	
BODY:	NICKEL PLATED BRASS
O-RING:	BUNA-N

**PROPRIETARY AND CONFIDENTIAL**  
 THE INFORMATION CONTAINED IN THIS DRAWING IS THE SOLE PROPERTY OF MENCOM CORPORATION. ANY REPRODUCTION IN PART OR AS A WHOLE WITHOUT THE WRITTEN PERMISSION OF MENCOM CORPORATION IS PROHIBITED.

UNLESS OTHERWISE SPECIFIED: DIMENSIONS ARE IN INCHES AND [MM]	DRAWN	NAME
	CHECKED	DWM
	ENG APPR.	
	MFG APPR.	
	Q.A.	
MATERIAL	COMMENTS:	
FINISH		
DO NOT SCALE DRAWING		

MENCOM CORPORATION		
TITLE: PG11 MALE TO 1/2" NPT FEM ADAPTER		
SIZE <b>B</b>	DWG. NO. PG11-1/2	REV <b>A</b>
SCALE: 2:1	WEIGHT:	SHEET 1 OF 1