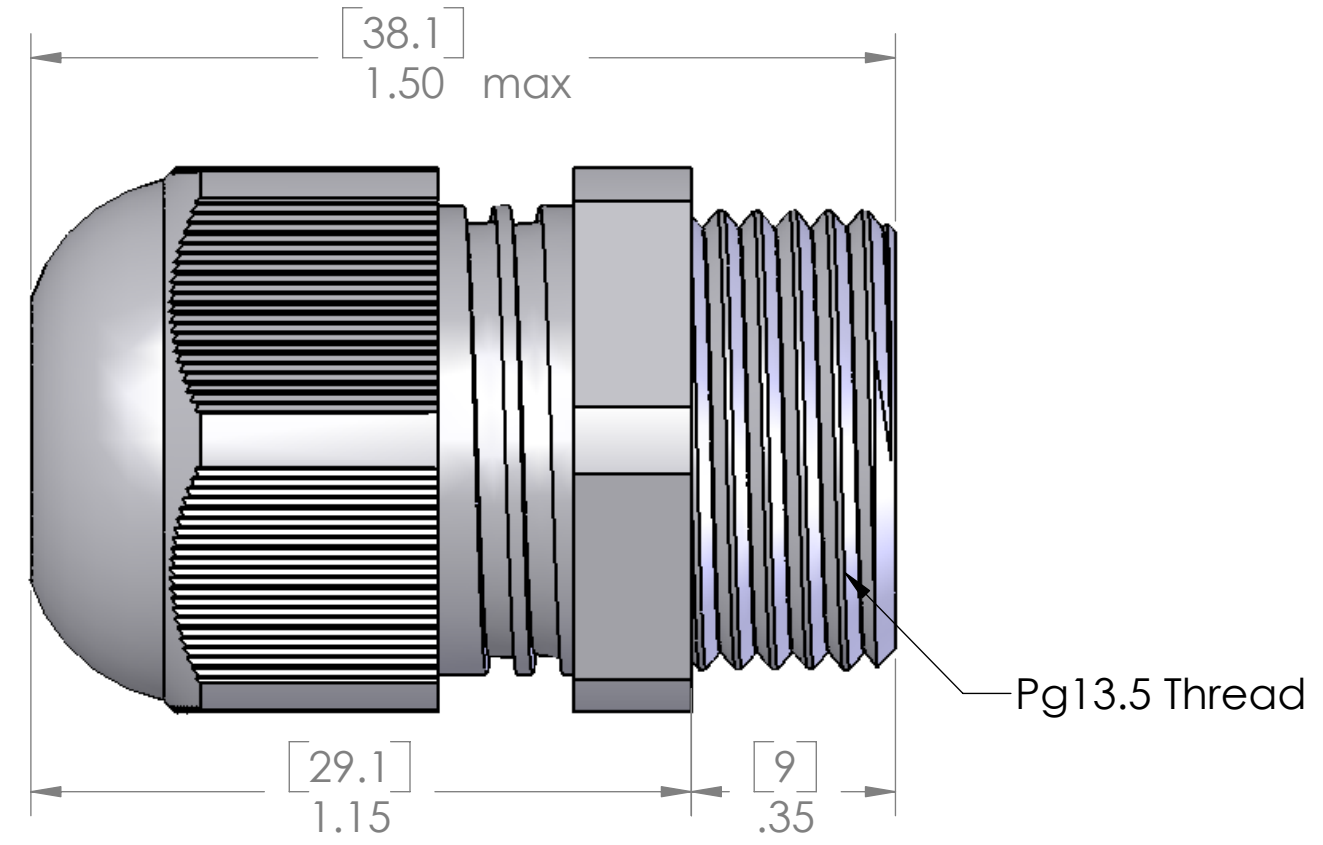
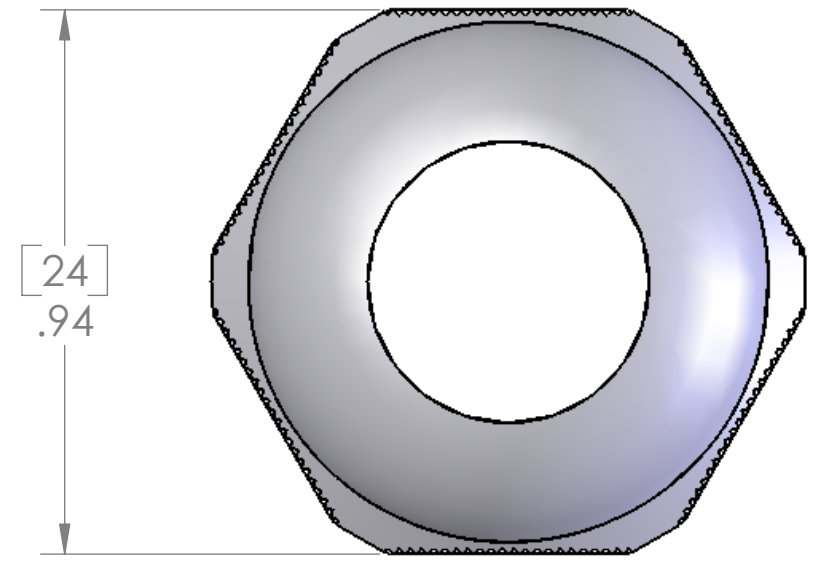


REVISIONS		
REV.	DESCRIPTION	DATE
A	REDRAWN IN SW	2/25/2005



LOCK NUT INCLUDED BUT NOT SHOWN

NO O-RING IS NECESSARY TO OBTAIN IP68 SEAL. CRUSH RIBS ON THE UNDERSIDE OF HEX WILL PROVIDE THE SEAL.

MATERIALS	
BODY:	GRAY OR BLACK POLYAMIDE
GROMMET:	NEOPRENE

SPECIFICATIONS:	
TIGHTENING TORQUE:	3.75 Nm
TEMPERATURE:	-20°C - +100°C

PART NUMBER	COLOR	SEALING RANGE
PCG-13.5	GRAY	6-12mm
PCG-13.5R	GRAY	5-9mm
PCG-13.5-B	BLACK	6-12mm
PCG-13.5R-B	BLACK	5-9mm

APPROVALS:	
US	UL RECOGNIZED
CANADA	C-UL RECOGNIZED

SEAL RATED TO: IP68

PROPRIETARY AND CONFIDENTIAL
 THE INFORMATION CONTAINED IN THIS DRAWING IS THE SOLE PROPERTY OF MENCOM CORPORATION. ANY REPRODUCTION IN PART OR AS A WHOLE WITHOUT THE WRITTEN PERMISSION OF MENCOM CORPORATION IS PROHIBITED.

UNLESS OTHERWISE SPECIFIED:
 DIMENSIONS ARE IN INCHES

MATERIAL

FINISH

SPECIFICATIONS

DO NOT SCALE DRAWING

NAME	BEM
DRAWN	
CHECKED	
ENG APPR.	
MFG APPR.	
Q.A.	
COMMENTS:	

MENCOM CORPORATION		
TITLE:		
SIZE	DWG. NO.	REV
B	PCG-13.5	A
SCALE: 3:1	WEIGHT:	SHEET 1 OF 1