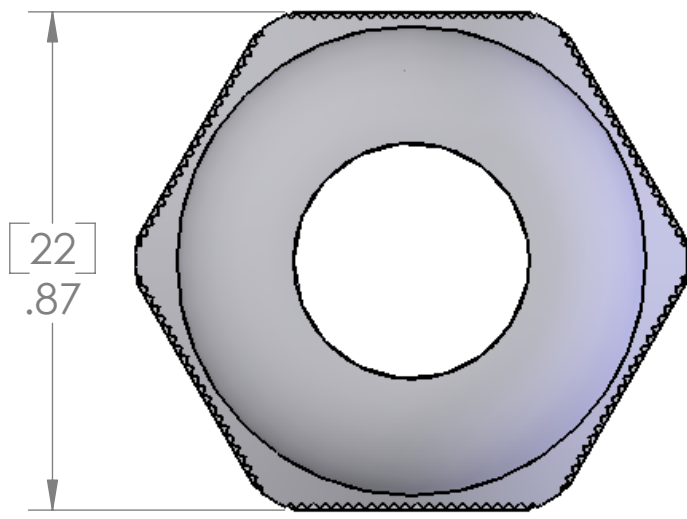
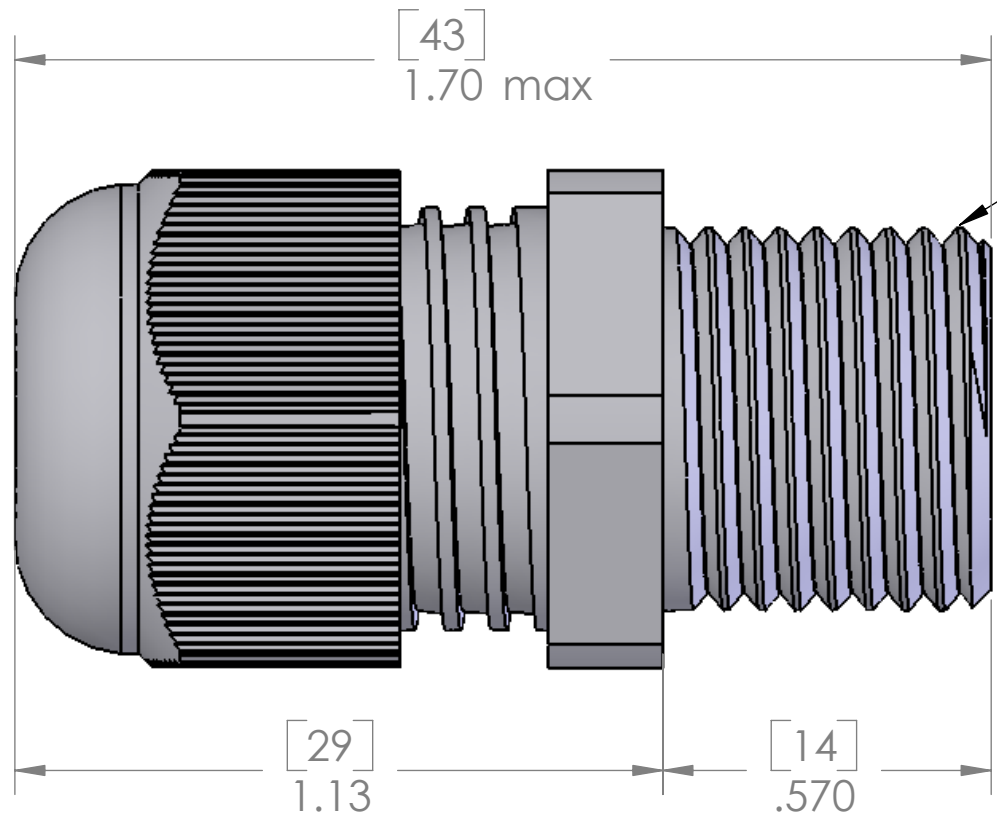


REVISIONS		
REV.	DESCRIPTION	DATE
A	REDRAWN IN SW	6/1/2006



[22]  
.87



[43]  
1.70 max

[29]  
1.13

[14]  
.570

3/8"-18 NPT Thread

NO O-RING IS NECESSARY TO OBTAIN IP68 SEAL. CRUSH RIBS ON THE UNDERSIDE OF HEX WILL PROVIDE THE SEAL.

SEAL RATED TO: IP68

<b>MATERIALS</b>	
<b>BODY:</b>	<b>GRAY OR BLACK POLYAMIDE</b>
<b>GROMMET:</b>	<b>NEOPRENE</b>

<b>SPECIFICATIONS:</b>	
<b>TIGHTENING TORQUE:</b>	<b>3.75 Nm</b>
<b>TEMPERATURE:</b>	<b>-20°C - +100°C</b>

<b>APPROVALS:</b>	
<b>US</b>	<b>UL RECOGNIZED</b>
<b>CANADA</b>	<b>C-UL RECOGNIZED</b>

PART NUMBER	COLOR	SEALING RANGE
PCG-3/8	GRAY	.197-.394in [5-10mm]
PCG-3/8R	GRAY	.118-.275in [3-7mm]
PCG-3/8-B	BLACK	.197-.394in [5-10mm]
PCG-3/8R-B	BLACK	.118-.275in [3-7mm]

**PROPRIETARY AND CONFIDENTIAL**  
THE INFORMATION CONTAINED IN THIS DRAWING IS THE SOLE PROPERTY OF MENCOM CORPORATION. ANY REPRODUCTION IN PART OR AS A WHOLE WITHOUT THE WRITTEN PERMISSION OF MENCOM CORPORATION IS PROHIBITED.

UNLESS OTHERWISE SPECIFIED:  
DIMENSIONS ARE IN INCHES

MATERIAL

FINISH

SPECIFICATIONS

DO NOT SCALE DRAWING

NAME  
DRAWN  
CHECKED  
ENG APPR.  
MFG APPR.  
Q.A.  
COMMENTS:

**MENCOM CORPORATION**

TITLE:

SIZE **B** DWG. NO. **PCG-38** REV **A**

SCALE: 3:1 WEIGHT: SHEET 1 OF 1