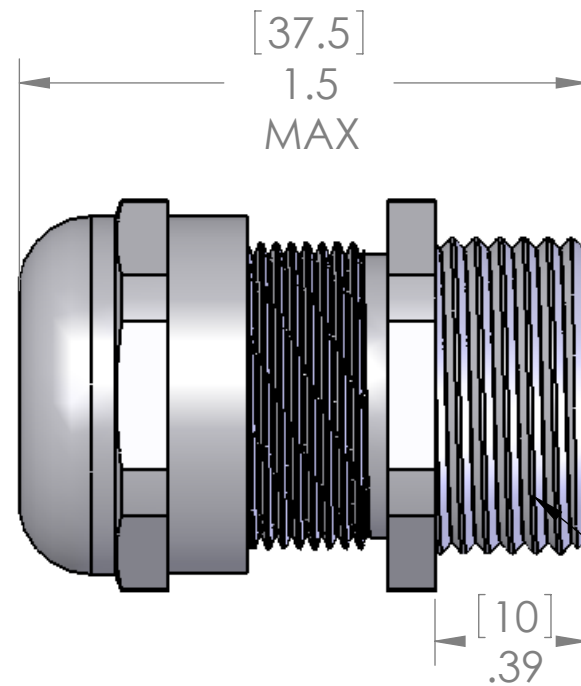
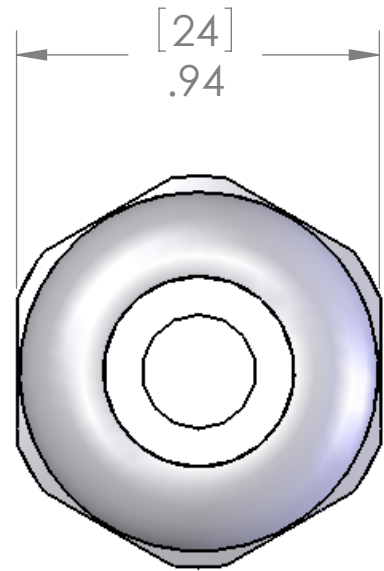
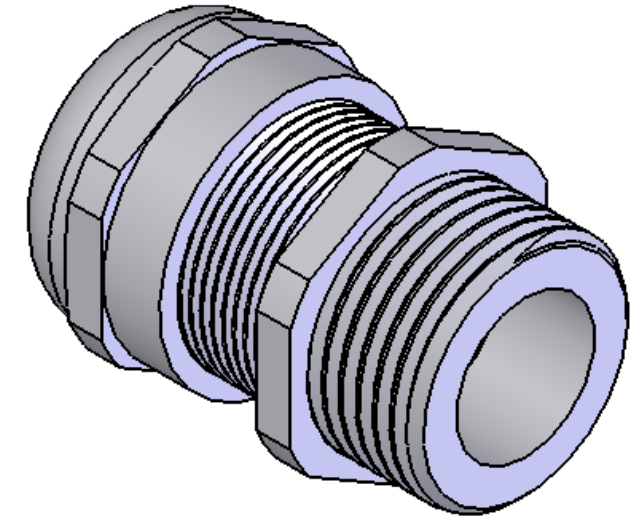


This is a shielding cable gland. For cables with a shield, the shield needs to be folded slightly around the gray plastic insert to allow the shield to be pinched between the gray plastic insert and the bottom of the gland.

REVISIONS		
REV.	DESCRIPTION	DATE
A	REDRAWN IN SW	8/15/2006



1/2" NPT THREAD



SEALING RANGE: .197- .512 (5-13 MM)
SEAL RATED TO: IP68

MATERIALS:	
BODY:	NICKEL PLATED BRASS
INSERT:	POLYAMIDE
GROMMET:	NEOPRENE

PROPRIETARY AND CONFIDENTIAL
THE INFORMATION CONTAINED IN THIS DRAWING IS THE SOLE PROPERTY OF MENCOM CORPORATION. ANY REPRODUCTION IN PART OR AS A WHOLE WITHOUT THE WRITTEN PERMISSION OF MENCOM CORPORATION IS PROHIBITED.

UNLESS OTHERWISE SPECIFIED:		NAME	MENCOM CORPORATION	
DIMENSIONS ARE IN INCHES & [MM]		DRAWN	DWM	
		CHECKED		
		ENG APPR.		
		MFG APPR.		
		Q.A.		
		COMMENTS:		
MATERIAL		TITLE:		
FINISH		SHIELDED BRASS CABLE GLAND 1/2" NPT THREADS		
DO NOT SCALE DRAWING		SIZE	DWG. NO.	REV
		B	MCG-1/2	A
		SCALE: 2:1	WEIGHT:	SHEET 1 OF 1