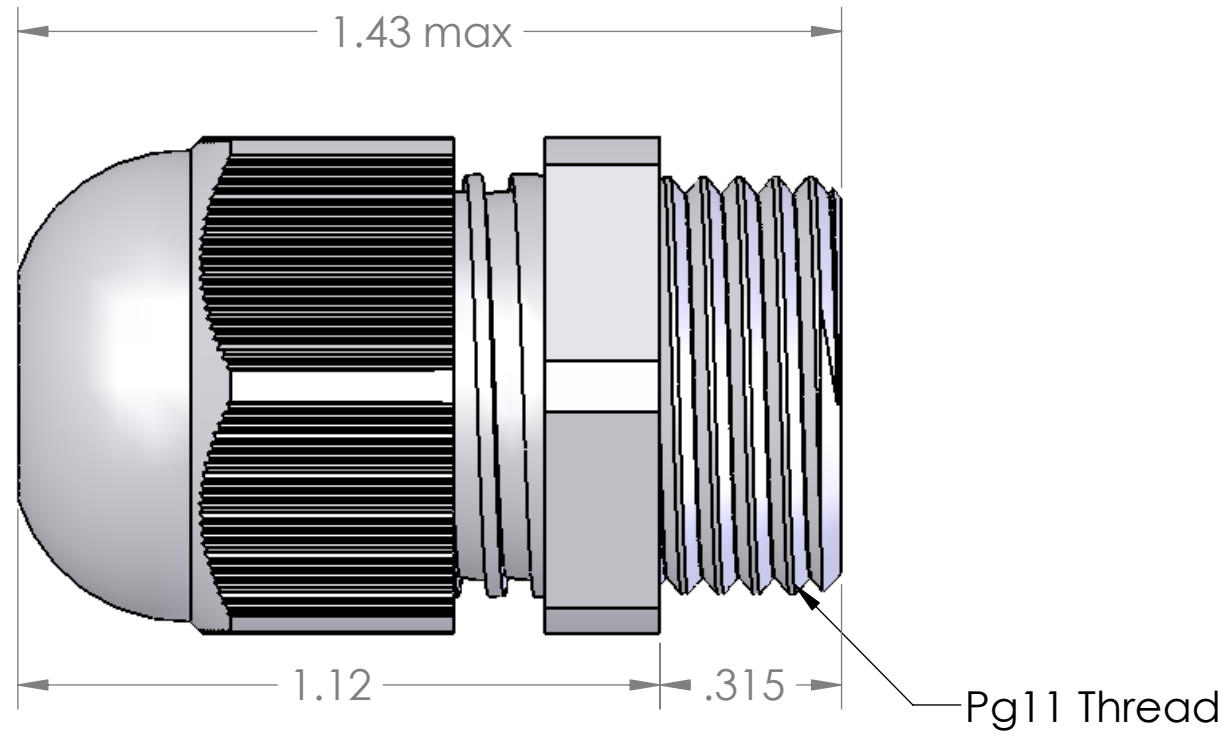
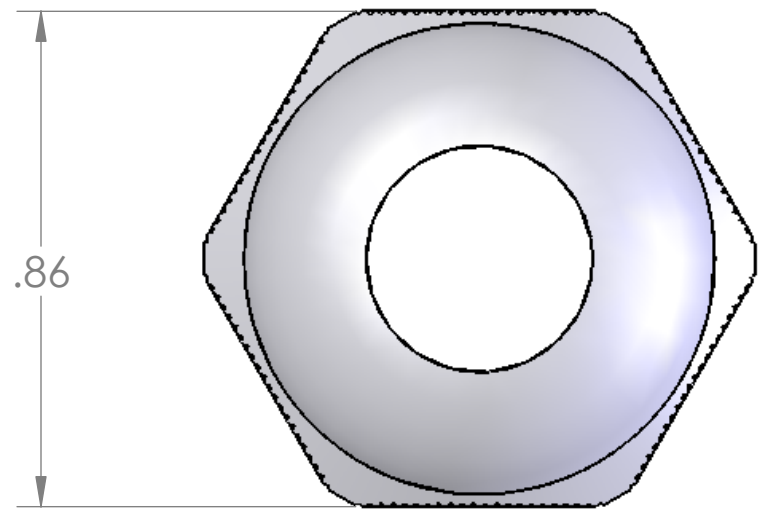


REVISIONS		
REV.	DESCRIPTION	DATE
A	REDRAWN IN SW	2/25/2005



LOCK NUT INCLUDED BUT NOT SHOWN  
 NO O-RING IS NECESSARY TO OBTAIN IP68 SEAL. CRUSH RIBS  
 ON THE UNDERSIDE OF HEX WILL PROVIDE THE SEAL.

SEAL RATED TO: IP68

MATERIALS	
BODY:	GRAY OR BLACK POLYAMIDE
GROMMET:	NEOPRENE

SPECIFICATIONS:	
TIGHTENING TORQUE:	3.75 Nm
TEMPERATURE:	-20°C - +100°C

APPROVALS:	
US	UL RECOGNIZED
CANADA	C-UL RECOGNIZED

PART NUMBER	COLOR	SEALING RANGE
PCG-11	GRAY	5-10mm
PCG-11R	GRAY	3-7mm
PCG-11-B	BLACK	5-10mm
PCG-11R-B	BLACK	3-7mm

UNLESS OTHERWISE SPECIFIED: DIMENSIONS ARE IN INCHES	DRAWN	NAME
	CHECKED	BEM
	ENG APPR.	
	MFG APPR.	
	Q.A.	
	COMMENTS:	
MATERIAL		
FINISH		

MENCOM CORPORATION		
TITLE:		
SIZE	DWG. NO.	REV
<b>B</b>	PCG-11	<b>A</b>
SCALE: 3:1	WEIGHT:	SHEET 1 OF 1

**PROPRIETARY AND CONFIDENTIAL**  
 THE INFORMATION CONTAINED IN THIS  
 DRAWING IS THE SOLE PROPERTY OF  
 MENCOM CORPORATION. ANY  
 REPRODUCTION IN PART OR AS A WHOLE  
 WITHOUT THE WRITTEN PERMISSION OF  
 MENCOM CORPORATION IS  
 PROHIBITED.

SPECIFICATIONS	DO NOT SCALE DRAWING
----------------	----------------------