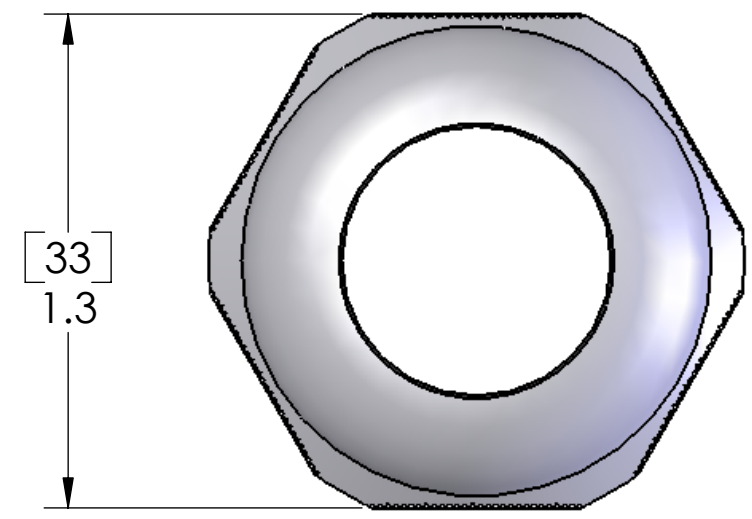
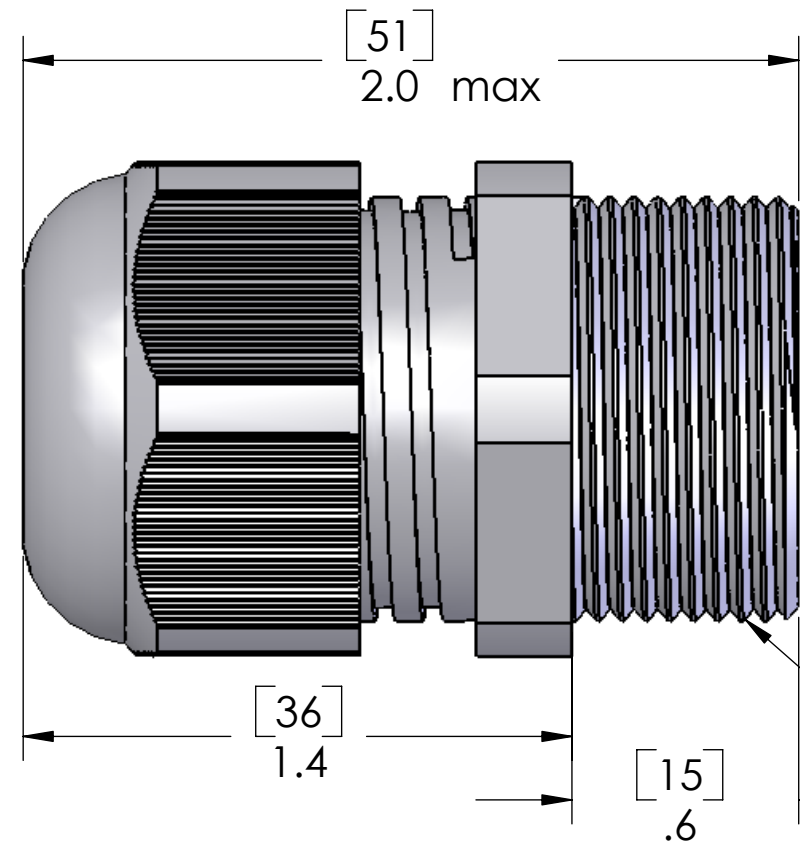


REVISIONS		
REV.	DESCRIPTION	DATE
A	REDRAWN IN SW	2/25/2005



[33]
1.3



[51]
2.0 max

[36]
1.4

[15]
.6

M25x1.5 Thread

LOCK NUT INCLUDED BUT NOT SHOWN

NO O-RING IS NECESSARY TO OBTAIN IP68 SEAL.
CRUSH RIBS ON THE UNDERSIDE OF HEX WILL
PROVIDE THE SEAL.

SEAL RATED TO: IP68

MATERIALS	
BODY:	GRAY OR BLACK POLYAMIDE
GROMMET:	NEOPRENE

SPECIFICATIONS:	
TIGHTENING TORQUE:	5.0 Nm
TEMPERATURE:	-20°C - +100°C

APPROVALS:	
US	UL RECOGNIZED
CANADA	C-UL RECOGNIZED

PART NUMBER	COLOR	SEALING RANGE
PCG-M25L	GRAY	13-18mm
PCG-M25RL	GRAY	9-16mm
PCG-M25L-B	BLACK	13-18mm
PCG-M25RL-B	BLACK	9-16mm

PROPRIETARY AND CONFIDENTIAL
THE INFORMATION CONTAINED IN THIS
DRAWING IS THE SOLE PROPERTY OF
MENCOM CORPORATION. ANY
REPRODUCTION IN PART OR AS A WHOLE
WITHOUT THE WRITTEN PERMISSION OF
MENCOM CORPORATION IS
PROHIBITED.

UNLESS OTHERWISE SPECIFIED:
DIMENSIONS ARE IN INCHES

DRAWN	NAME
CHECKED	BEM
ENG APPR.	
MFG APPR.	
Q.A.	
COMMENTS:	
MATERIAL	
FINISH	
SPECIFICATIONS	DO NOT SCALE DRAWING

MENCOM CORPORATION		
TITLE:		
SIZE	DWG. NO.	REV
B	PCG-M25L	A
SCALE: 2:1	WEIGHT:	SHEET 1 OF 1