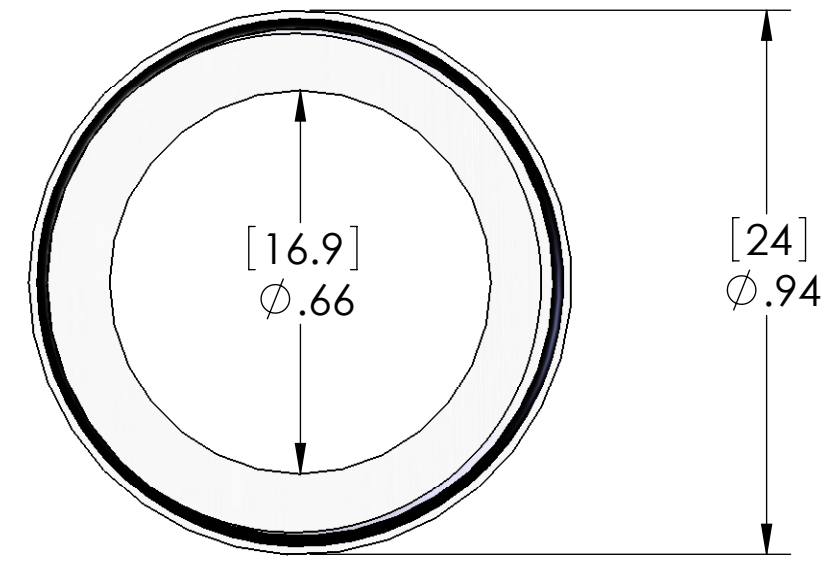
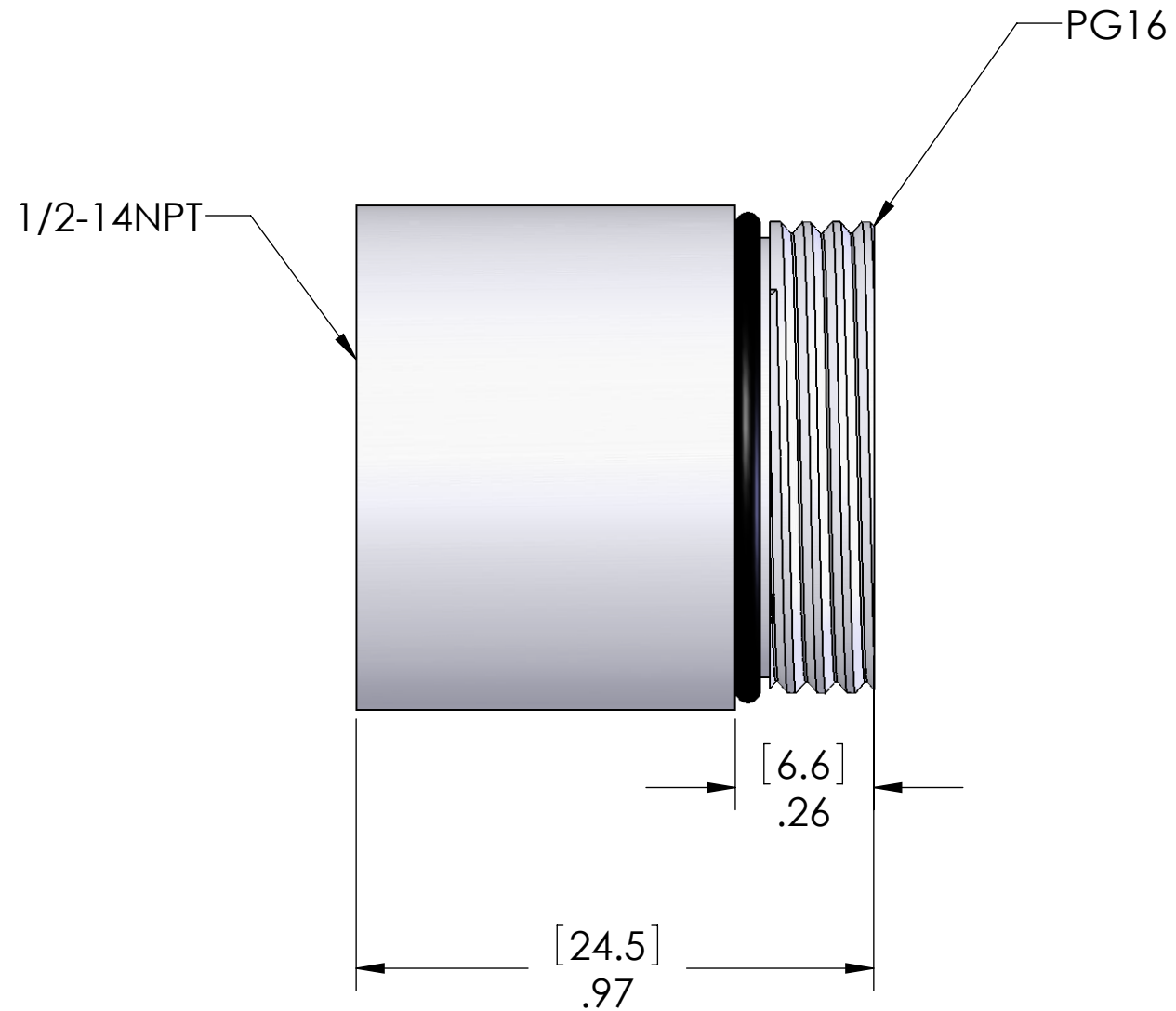


REVISIONS			
REV.	DESCRIPTION	DATE	APPROVED
A	REDRAWN IN SW	8/1/2006	



MATERIALS:	
BODY:	NICKEL PLATED BRASS
O-RING:	BUNA-N

PROPRIETARY AND CONFIDENTIAL
 THE INFORMATION CONTAINED IN THIS DRAWING IS THE SOLE PROPERTY OF MENCOM CORPORATION. ANY REPRODUCTION IN PART OR AS A WHOLE WITHOUT THE WRITTEN PERMISSION OF MENCOM CORPORATION IS PROHIBITED.

UNLESS OTHERWISE SPECIFIED:		NAME
DIMENSIONS ARE IN INCHES AND [MM]		DWM
MATERIAL		
FINISH		
DO NOT SCALE DRAWING		

MENCOM CORPORATION		
TITLE:		
PG16 MALE TO 1/2-14NPT FEM ADAPTER		
SIZE	DWG. NO.	REV
B	PG16-1/2	A
SCALE: 3:1	WEIGHT:	SHEET 1 OF 1