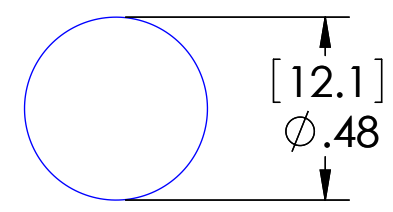
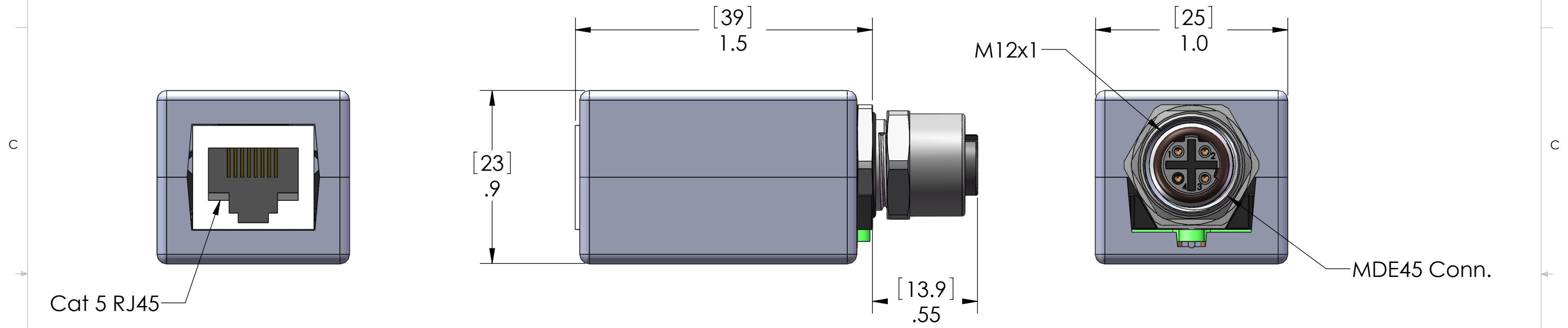


WIRING		
RJ45	FUNCTION	MDE45
1	TD+	1
2	TD-	3
3	RD+	2
4	n.c.	
5	n.c.	
6	RD-	4
7	n.c.	
8	n.c.	
Shield		Shell

REVISIONS			
REV.	DESCRIPTION	DATE	APPROVED
A	Released	3/13/2008	



Panel Cut-Out

Maximum panel thickness: 0.12" [3]

Note: The shield of the RJ45 connector is electrically connected to the shell of the MDE45 Connector. If this connection is not desired, consult factory for the part number for one that is not connected.

MATERIALS:	
HOUSING	PBT
MDE45 OPLG	NICKEL PLATED BRASS
RJ45:	CAT 5
CONTACTS:	GOLD PLATED COPPER ALLOY

PROPRIETARY AND CONFIDENTIAL
 THE INFORMATION CONTAINED IN THIS DRAWING IS THE SOLE PROPERTY OF MENCOM CORPORATION. ANY REPRODUCTION IN PART OR AS A WHOLE WITHOUT THE WRITTEN PERMISSION OF MENCOM CORPORATION IS PROHIBITED.

UNLESS OTHERWISE SPECIFIED:		NAME		MENCOM CORPORATION
DIMENSIONS ARE IN INCHES AND [MM]		DRAWN	CAM	
		CHECKED		
		ENG APPR.		
		MFG APPR.		
		Q.A.		TITLE:
		COMMENTS:		Panel mount RJ45 Jack to MDE45 (D-Coded) Female
MATERIAL				SIZE
FINISH				DWG. NO.
DO NOT SCALE DRAWING				REV
				B MDE45RJ-4FFR-BM A
		SCALE: 2:1	WEIGHT:	SHEET 1 OF 1