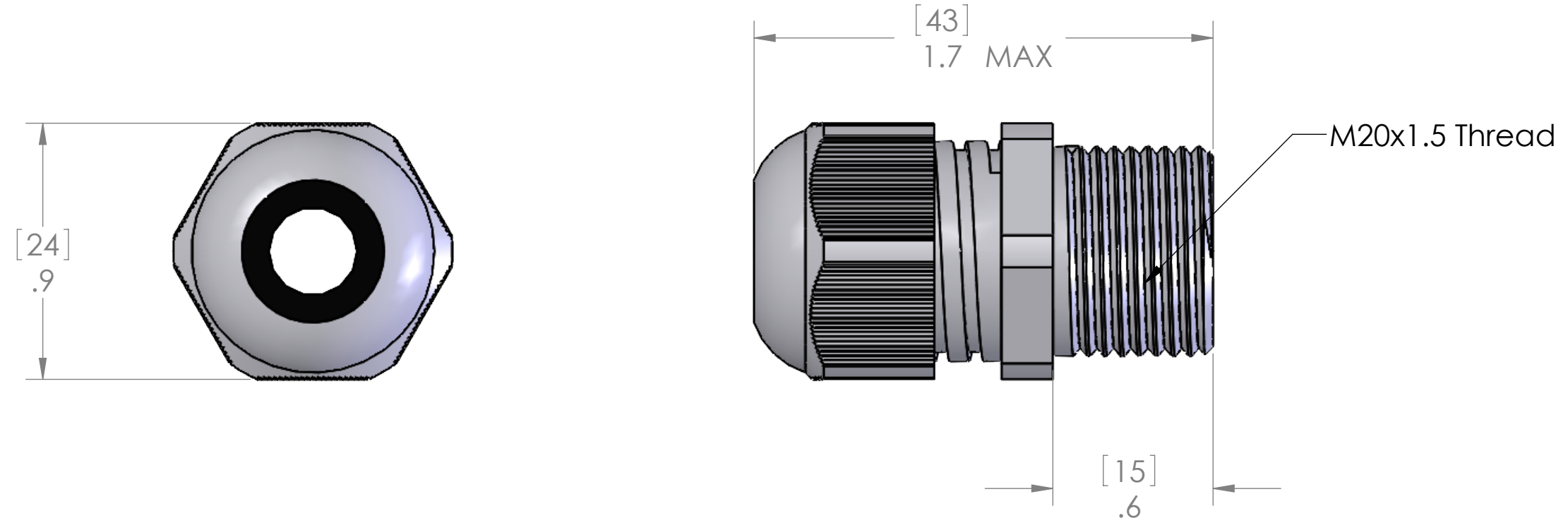


REVISIONS		
REV.	DESCRIPTION	DATE
A	REDRAWN IN SW	5/8/2007



LOCK NUT INCLUDED BUT NOT SHOWN

NO O-RING IS NECESSARY TO OBTAIN IP68 SEAL.
CRUSH RIBS ON THE UNDERSIDE OF HEX WILL
PROVIDE THE SEAL.

SEAL RATED TO: IP68

MATERIALS	
BODY:	GRAY OR BLACK POLYAMIDE
GROMMET:	CR/NBR - OUTER PART TPE / INNER PART

PART NUMBER	COLOR	SEALING RANGE
PCGU-M20L	GRAY	5-13mm
PCGU-M20L-B	BLACK	5-13mm

SPECIFICATIONS:	
TIGHTENING TORQUE:	2.7 Nm
TEMPERATURE:	-20°C - +100°C

APPROVALS:	
US	UL RECOGNIZED
CANADA	C-UL RECOGNIZED

PROPRIETARY AND CONFIDENTIAL
THE INFORMATION CONTAINED IN THIS
DRAWING IS THE SOLE PROPERTY OF
MENCOM CORPORATION. ANY
REPRODUCTION IN PART OR AS A WHOLE
WITHOUT THE WRITTEN PERMISSION OF
MENCOM CORPORATION IS
PROHIBITED.

UNLESS OTHERWISE SPECIFIED: DIMENSIONS ARE IN INCHES	DRAWN	NAME ADM DWM	DATE 09/22/2016
	CHECKED		
	ENG APPR.		
	MFG APPR.		
	Q.A.		
	COMMENTS:		
MATERIAL			
FINISH			
SPECIFICATIONS			
DO NOT SCALE DRAWING			

MENCOM CORPORATION		
TITLE: PLASTIC CABLE GLAND M20		
SIZE B	DWG. NO. PCGU-M20L	REV A
SCALE: 2:1	WEIGHT:	SHEET 1 OF 1