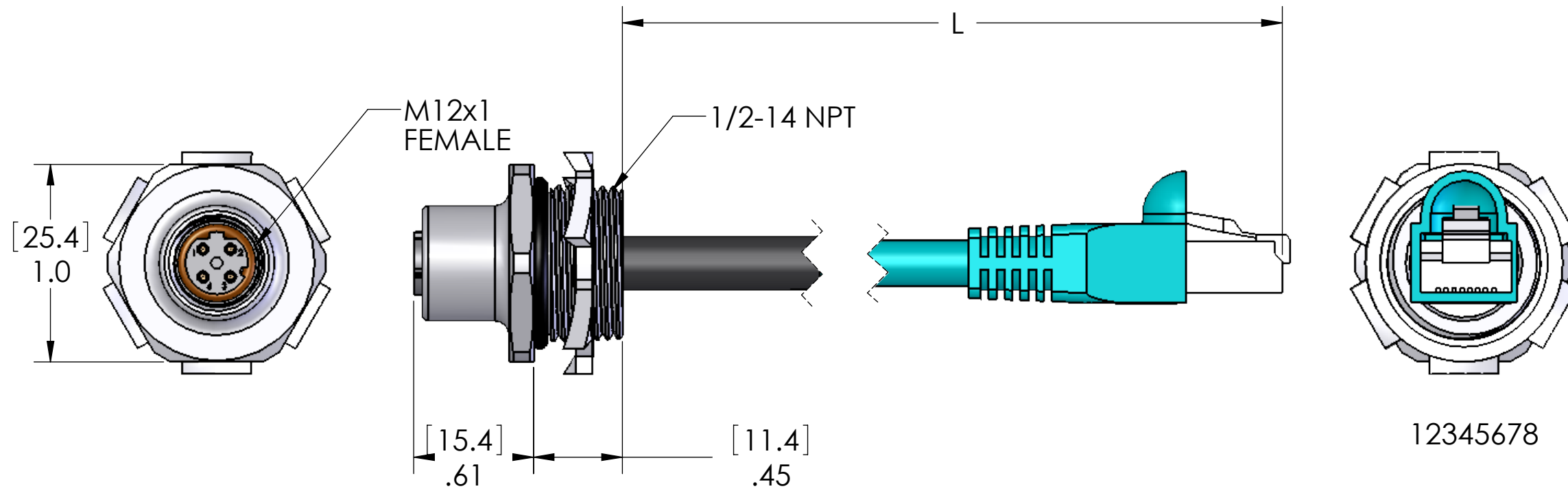


MDE45	COLOR	RJ45
PIN #		PIN #
1	WHITE w/ORANGE	1
2	WHITE w/GREEN	3
3	ORANGE	2
4	GREEN	6



P/N	L
MDE45-4FR-RJ45-2-0.5M	20" [0.5m]
MDE45-4FR-RJ45-2-1M	40" [1m]
MDE45-4FR-RJ45-2-1.5M	59" [1.5m]
MDE45-4FR-RJ45-2-2M	79" [2m]
MDE45-4FR-RJ45-2-3M	118" [3m]
MDE45-4FR-RJ45-2-4M	157" [4m]
MDE45-4FR-RJ45-2-5M	197" [5m]
MDE45-4FR-RJ45-2-6M	236" [6m]
MDE45-4FR-RJ45-2-8M	315" [8m]
MDE45-4FR-RJ45-2-10M	393" [10m]
MDE45-4FR-RJ45-2-15M	590" [15m]
MDE45-4FR-RJ45-2-20M	786" [20m]

MATERIALS:	
BODY:	BLACK PVC
COUPLING:	NICKEL PLATED BRASS
INSERT:	POLYAMIDE
CONTACTS:	GOLD PLATED COPPER ALLOY
CABLE:	2 PR 24 AWG CAT 5e PVC CABLE W/ BRAID & FOIL
O-RINGS:	FPM & NBR

APPROVALS:	
US:	UL LISTED
CANADA:	C-UL LISTED

PROPRIETARY AND CONFIDENTIAL
 THE INFORMATION CONTAINED IN THIS DRAWING IS THE SOLE PROPERTY OF MENCOM CORPORATION. ANY REPRODUCTION IN PART OR AS A WHOLE WITHOUT THE WRITTEN PERMISSION OF MENCOM CORPORATION IS PROHIBITED.

VOLTS	42VDC
AMPS	1.5A
TEMP:	80°C

UNLESS OTHERWISE SPECIFIED:	DRAWN BY	JJH
DIMENSIONS ARE IN INCHES AND [MM]	DRAWN DATE	12/03/2018
	CHECKED BY	GO
	CHECK DATE	12/06/2018
	COMMENTS:	
MATERIAL		
FINISH		
DO NOT SCALE DRAWING		

MENCOM CORPORATION		
TITLE: 4 PL MDE45 TO RJ45 1/2" NPT		
SIZE	DWG. NO.	REV
B	MDE45-4FR-RJ45-2-ZZ	B
SCALE: 2:1	WEIGHT:	SHEET 1 OF 1