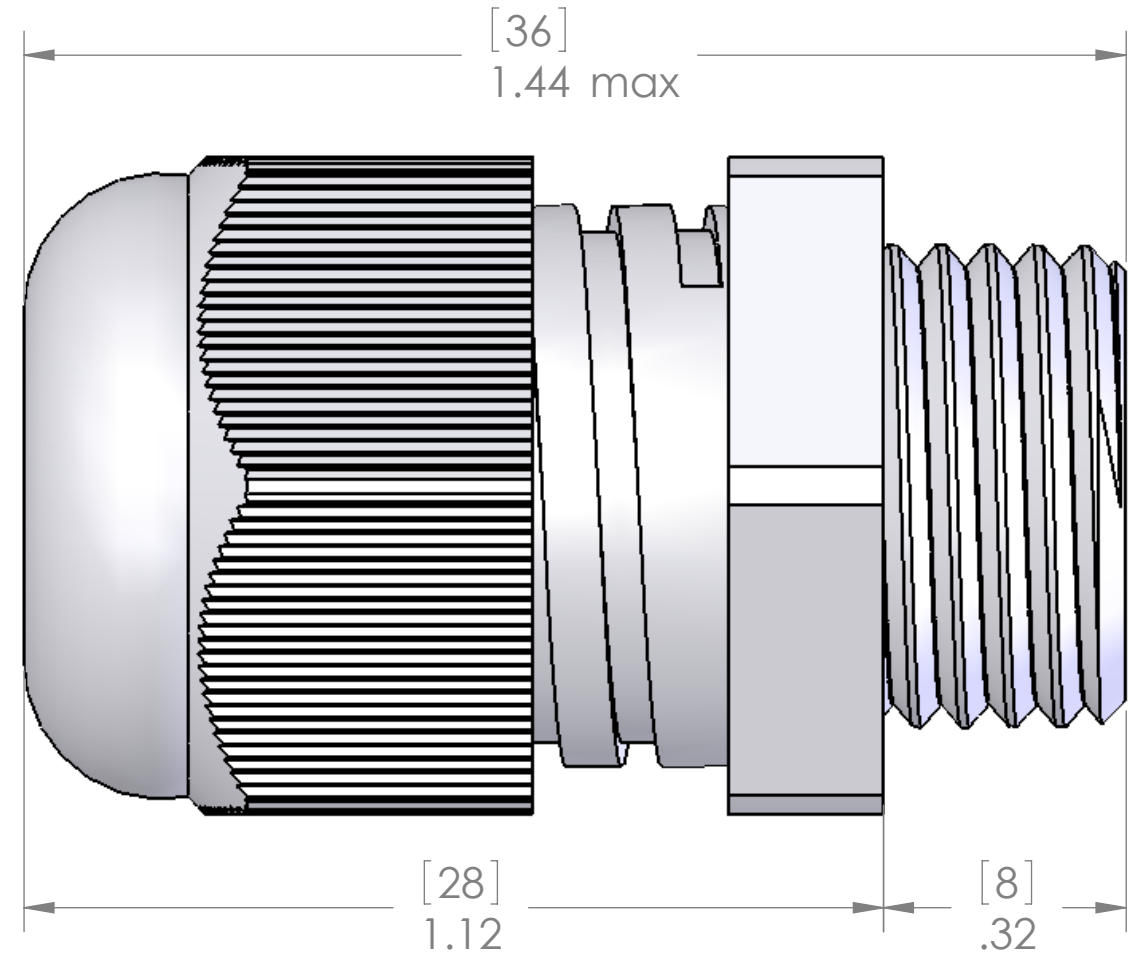
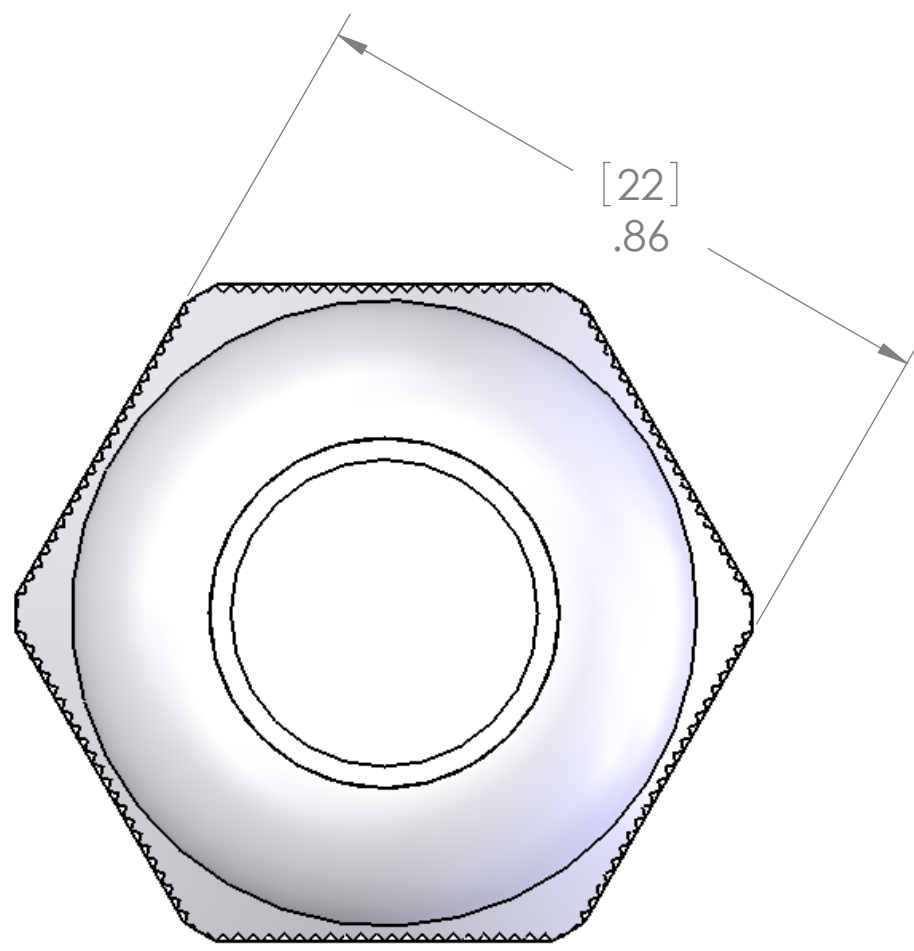


REVISIONS		
REV.	DESCRIPTION	DATE
A	REDRAWN IN SW	6/25/2009



M16 LOCK NUT INCLUDED BUT NOT SHOWN  
 NO O-RING IS NECESSARY TO OBTAIN IP68 SEAL. CRUSH RIBS ON THE UNDERSIDE OF HEX WILL PROVIDE THE SEAL.

<b>MATERIALS</b>	
<b>BODY:</b>	<b>GRAY POLYAMIDE</b>
<b>GROMMET:</b>	<b>NEOPRENE</b>

<b>SPECIFICATIONS:</b>	
<b>TIGHTENING TORQUE:</b>	<b>3.75 Nm</b>
<b>TEMPERATURE:</b>	<b>-20°C - +100°C</b>

<b>APPROVALS:</b>	
<b>US</b>	<b>UL RECOGNIZED</b>
<b>CANADA</b>	<b>C-UL RECOGNIZED</b>

PART NUMBER	COLOR	SEALING RANGE
<b>PCG-M16</b>	<b>GRAY</b>	<b>5-10mm</b>
<b>PCG-M16-B</b>	<b>BLACK</b>	<b>5-10mm</b>

UNLESS OTHERWISE SPECIFIED: DIMENSIONS ARE IN INCHES AND [MM]	NAME BEM
MATERIAL	TITLE:
FINISH	SIZE DWG. NO.
SPECIFICATIONS	REV
DO NOT SCALE DRAWING	A
	SCALE: 4:1 WEIGHT: SHEET 1 OF 1

MENCOM CORPORATION		
TITLE:		
SIZE	DWG. NO.	REV
<b>B</b>	PCG-M16	<b>A</b>
SCALE: 4:1 WEIGHT:		SHEET 1 OF 1

**PROPRIETARY AND CONFIDENTIAL**  
 THE INFORMATION CONTAINED IN THIS DRAWING IS THE SOLE PROPERTY OF MENCOM CORPORATION. ANY REPRODUCTION IN PART OR AS A WHOLE WITHOUT THE WRITTEN PERMISSION OF MENCOM CORPORATION IS PROHIBITED.