

D

D

C

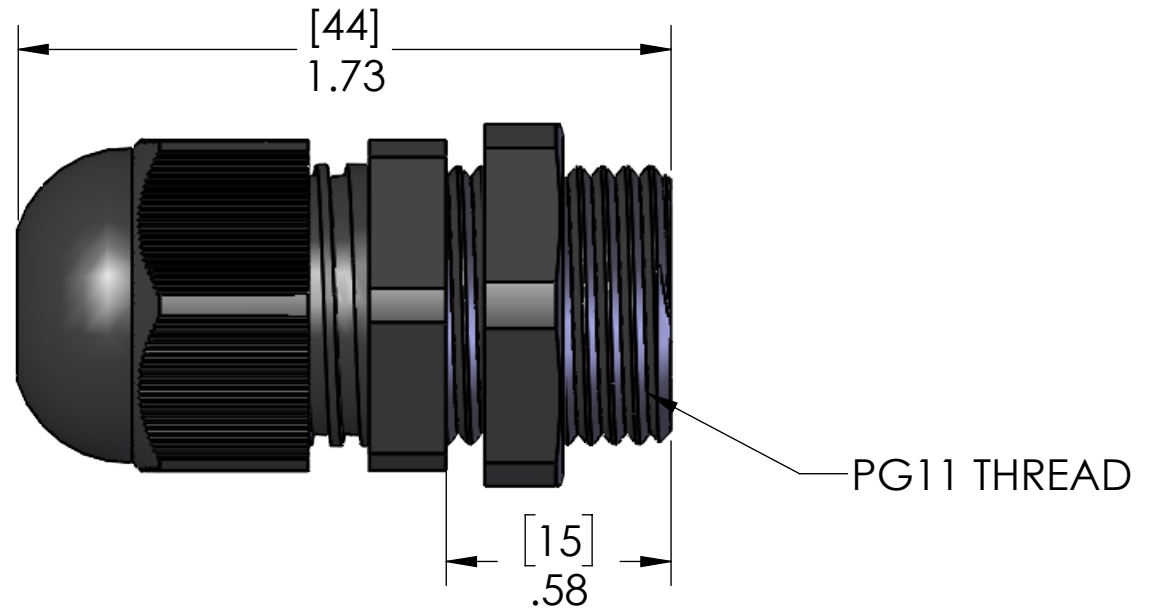
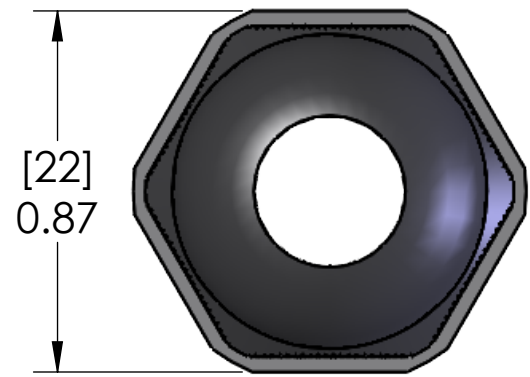
C

B

B

A

A



NO O-RING IS NECESSARY TO OBTAIN IP68 SEAL. CRUSH RIBS ON THE UNDERSIDE OF HEX WILL PROVIDE THE SEAL.

SEALING RANGE: .118" - .275" (3 - 7MM)
SEAL RATED TO: IP68

MATERIALS	
BODY:	BLACK POLYAMIDE
GROMMET:	CR/NBR

SPECIFICATIONS:	
TIGHTENING TORQUE:	3.75 Nm
TEMPERATURE:	-20°C - +100°C

PROPRIETARY AND CONFIDENTIAL
THE INFORMATION CONTAINED IN THIS DRAWING IS THE SOLE PROPERTY OF MENCORPORATION. ANY REPRODUCTION IN PART OR AS A WHOLE WITHOUT THE WRITTEN PERMISSION OF MENCORPORATION IS PROHIBITED.

UNLESS OTHERWISE SPECIFIED:	DRAWN BY	APR
DIMENSIONS ARE IN MM	DRAWN DATE	06/29/2022
TOLERANCES:	CHECKED BY	ADM
FRACTIONAL ± 1/64	CHECK DATE	06/29/2022
ANGULAR: MACH ± 3° BEND ± 5°		
ONE PLACE DECIMAL ± .2		
TWO PLACE DECIMAL ± .1		
MATERIAL	COMMENTS:	
FINISH		
DO NOT SCALE DRAWING		

MENCORPORATION		
TITLE:		
PLSTC CBL GLND PG11		
SIZE	DWG. NO.	REV
B	PCG-11RL-B	A
SCALE: 2:1	WEIGHT:	SHEET 1 OF 1