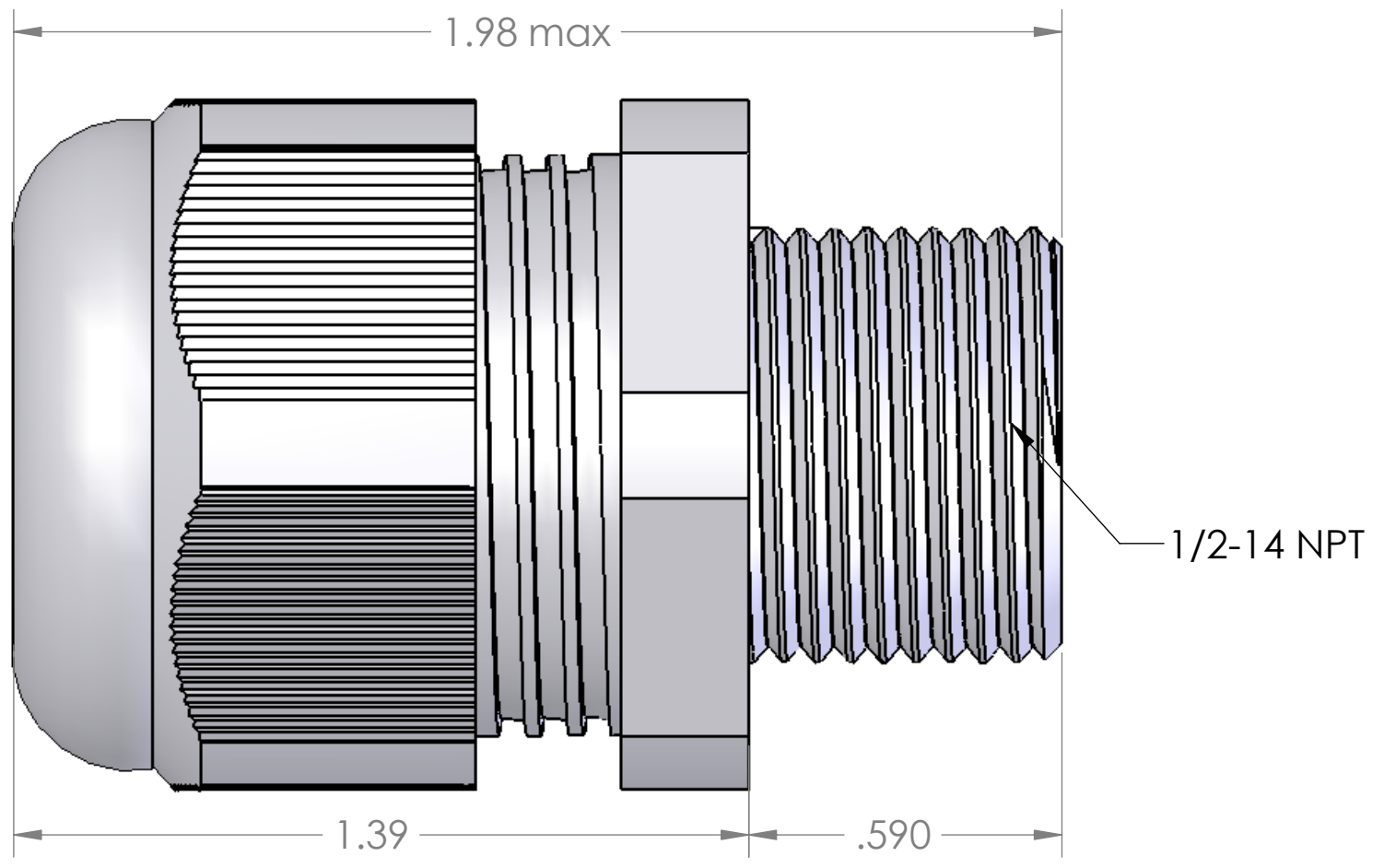
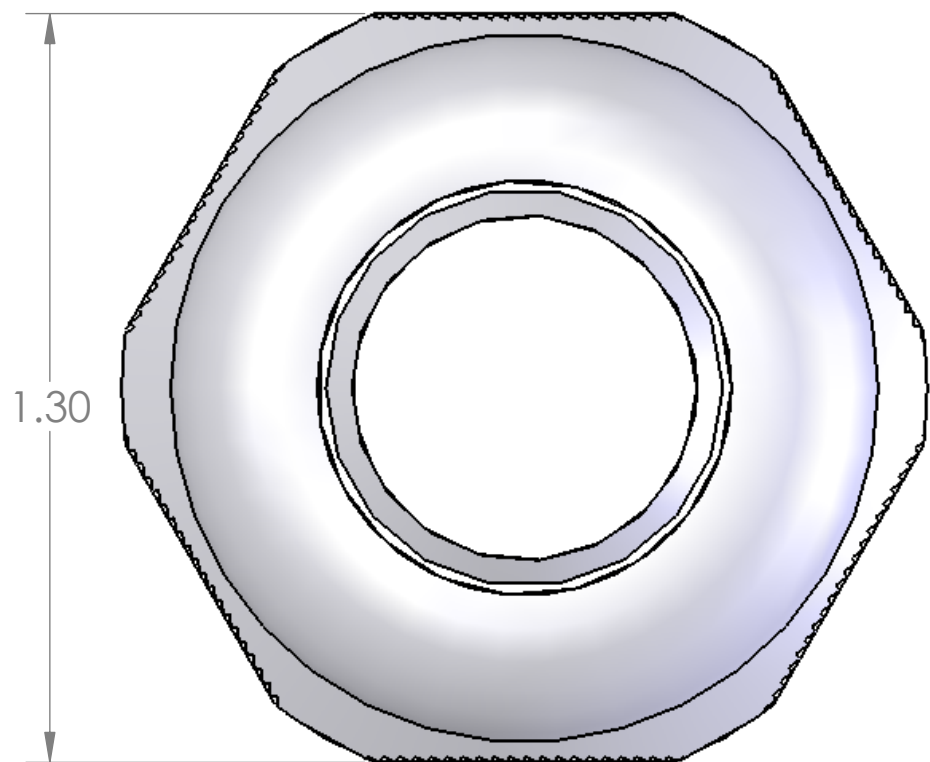


REVISIONS		
REV.	DESCRIPTION	DATE
A	REDRAWN IN SW	6/1/2006



NO O-RING IS NECESSARY TO OBTAIN IP68 SEAL. CRUSH RIBS ON THE UNDERSIDE OF HEX WILL PROVIDE THE SEAL.

SEAL RATED TO: IP68

MATERIALS	
BODY:	GRAY POLYAMIDE
GROMMET:	NEOPRENE

SPECIFICATIONS:	
TIGHTENING TORQUE:	7.5 Nm
TEMPERATURE:	-20°C - +100°C

APPROVALS:	
US	UL RECOGNIZED
CANADA	C-UL RECOGNIZED

PART NUMBER	COLOR	SEALING RANGE
PCG-1/2E	GRAY	.512 - .708 [13 - 18 MM]
PCG-1/2E-B	BLACK	.512 - .708 [13 - 18 MM]

UNLESS OTHERWISE SPECIFIED: DIMENSIONS ARE IN INCHES	DRAWN	NAME	MENCOM CORPORATION		
	CHECKED	DWM			
	ENG APPR.	TITLE:			
	MFG APPR.				
	Q.A.				
MATERIAL	COMMENTS:		SIZE	DWG. NO.	REV
FINISH			B	PCG-1/2E	A
DO NOT SCALE DRAWING		SCALE: 3:1	WEIGHT:	SHEET 1 OF 1	

PROPRIETARY AND CONFIDENTIAL
THE INFORMATION CONTAINED IN THIS DRAWING IS THE SOLE PROPERTY OF MENCOM CORPORATION. ANY REPRODUCTION IN PART OR AS A WHOLE WITHOUT THE WRITTEN PERMISSION OF MENCOM CORPORATION IS PROHIBITED.

SPECIFICATIONS	
----------------	--