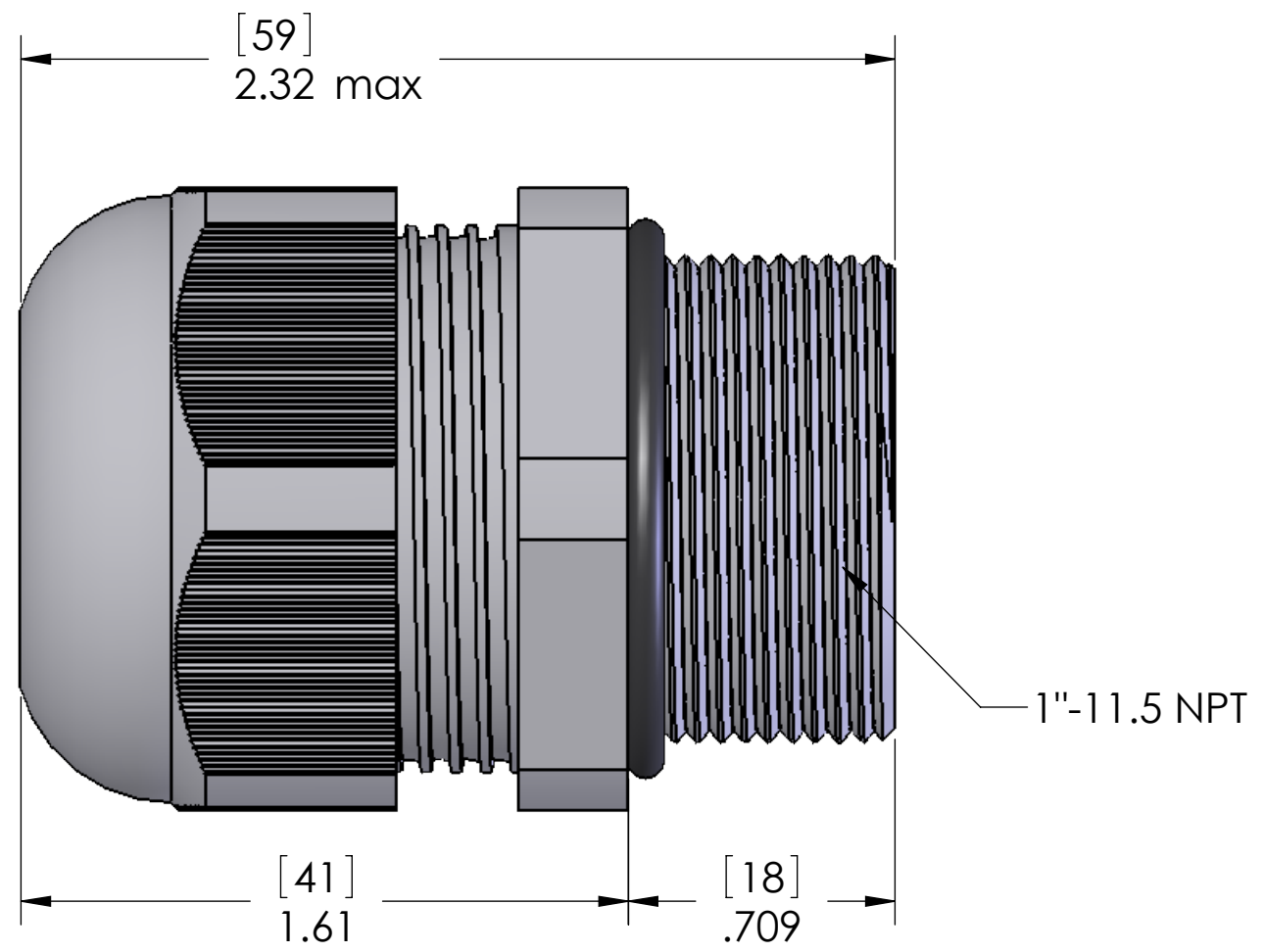
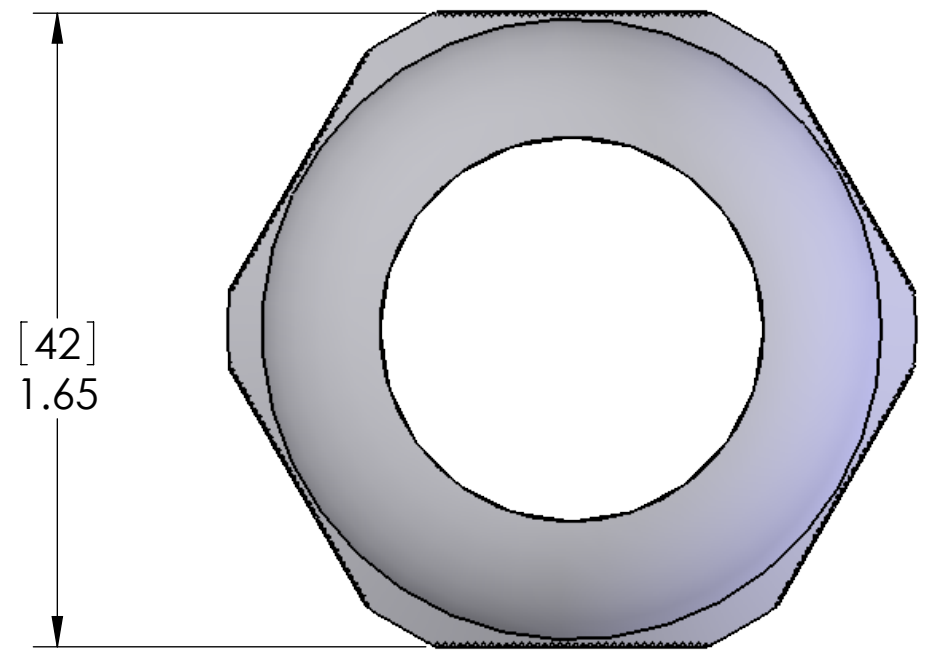


| REVISIONS |                |           |
|-----------|----------------|-----------|
| REV.      | DESCRIPTION    | DATE      |
| A         | REDRAWN IN SW  | 6/1/2006  |
| B         | Corrected dim. | 7/17/2014 |



|                  |                                |
|------------------|--------------------------------|
| <b>MATERIALS</b> |                                |
| <b>BODY:</b>     | <b>GRAY OR BLACK POLYAMIDE</b> |
| <b>GROMMET:</b>  | <b>NEOPRENE</b>                |

|                           |                       |
|---------------------------|-----------------------|
| <b>SPECIFICATIONS:</b>    |                       |
| <b>TIGHTENING TORQUE:</b> | <b>7.5 Nm</b>         |
| <b>TEMPERATURE:</b>       | <b>-20°C - +100°C</b> |

|                   |                        |
|-------------------|------------------------|
| <b>APPROVALS:</b> |                        |
| <b>US</b>         | <b>UL RECOGNIZED</b>   |
| <b>CANADA</b>     | <b>C-UL RECOGNIZED</b> |

| PART NUMBER | COLOR | SEALING RANGE            |
|-------------|-------|--------------------------|
| PCG-1.0     | GRAY  | .748 - .984 [19 - 25 MM] |
| PCG-1.0R    | GRAY  | .472 - .787 [12 - 20 MM] |
| PCG-1.0-B   | BLACK | .748 - .984 [19 - 25 MM] |
| PCG-1.0R-B  | BLACK | .472 - .787 [12 - 20 MM] |

SEAL RATED TO: IP68

**PROPRIETARY AND CONFIDENTIAL**  
 THE INFORMATION CONTAINED IN THIS DRAWING IS THE SOLE PROPERTY OF MENCOM CORPORATION. ANY REPRODUCTION IN PART OR AS A WHOLE WITHOUT THE WRITTEN PERMISSION OF MENCOM CORPORATION IS PROHIBITED.

|   |           |      |                    |
|---|-----------|------|--------------------|
| UNLESS OTHERWISE SPECIFIED:<br>DIMENSIONS ARE IN INCHES | DRAWN     | NAME | MENCOM CORPORATION |
|   | CHECKED   | DWM  |                    |
|   | ENG APPR. |      |                    |
|   | MFG APPR. |      |                    |
|   | Q.A.      |      |                    |
|   | COMMENTS: |      |                    |
| MATERIAL  |           |      | TITLE:             |
| FINISH  |           |      | SIZE DWG. NO.      |
|   |           |      | <b>B</b> PCG-1.0   |
|   |           |      | REV <b>B</b>       |
|   |           |      | SCALE: 2:1 WEIGHT: |
|   |           |      | SHEET 1 OF 1       |

|                |                      |
|----------------|----------------------|
|                |                      |
| SPECIFICATIONS | DO NOT SCALE DRAWING |

8 7 6 5 4 3 2 1

8 7 6 5 4 3 2 1

D  
C  
B  
A

D  
C  
B  
A