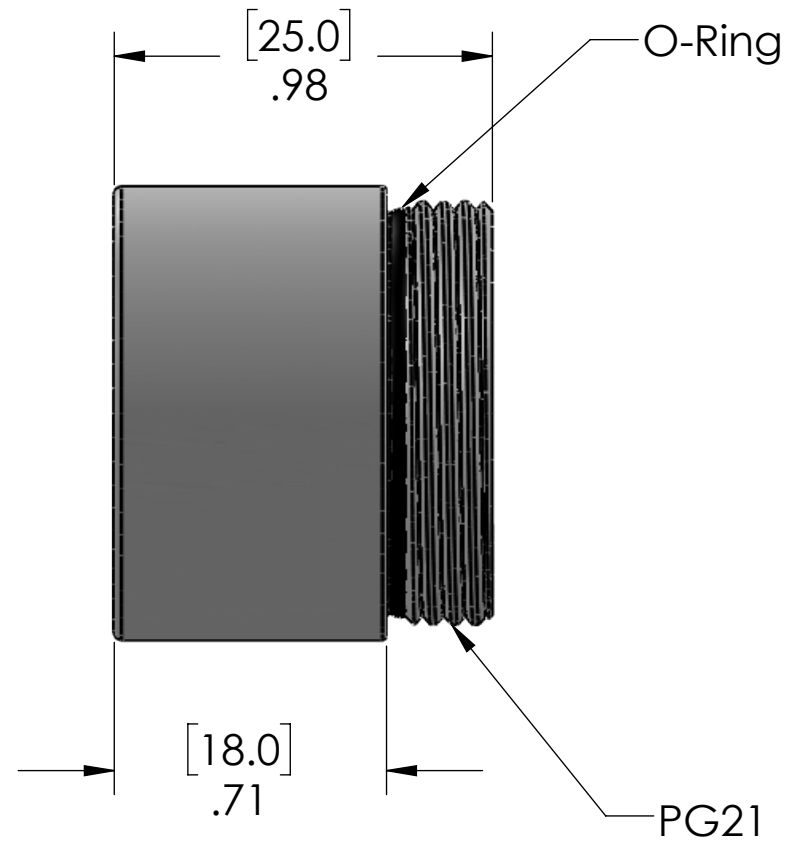
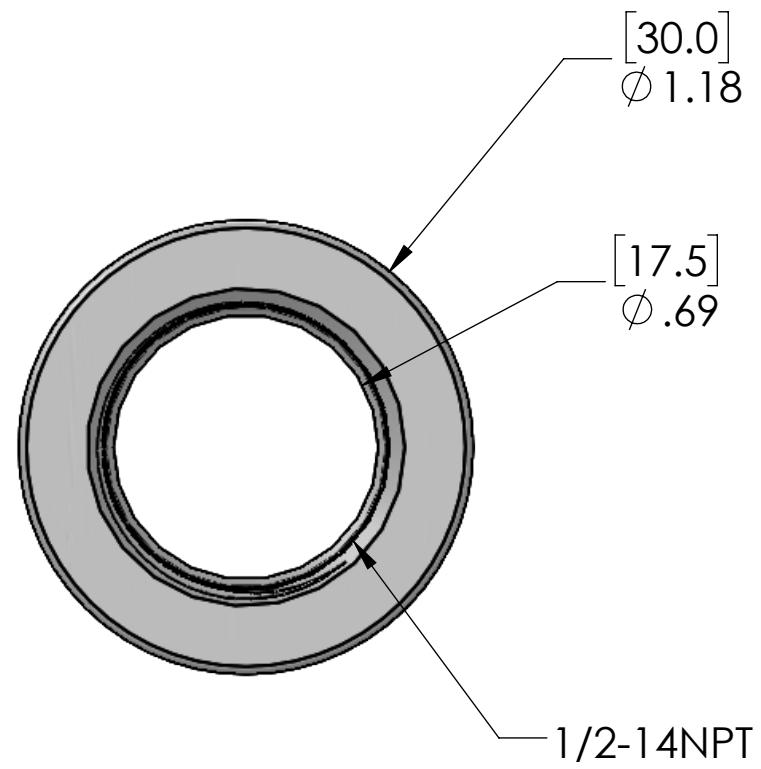


8 7 6 5 4 3 2 1

D
C
B
A

D
C
B
A



MATERIALS:	
BODY:	NICKEL PLATED BRASS
O-RING:	NBR

PROPRIETARY AND CONFIDENTIAL
 THE INFORMATION CONTAINED IN THIS DRAWING IS THE SOLE PROPERTY OF MENCOM CORPORATION. ANY REPRODUCTION IN PART OR AS A WHOLE WITHOUT THE WRITTEN PERMISSION OF MENCOM CORPORATION IS PROHIBITED.

UNLESS OTHERWISE SPECIFIED: DIMENSIONS ARE IN INCHES AND [MM]	DRAWN BY	DG
	DRAWN DATE	12/13/2016
	CHECKED BY	JJH
	CHECK DATE	12/13/2016
COMMENTS:		
MATERIAL		
FINISH		
DO NOT SCALE DRAWING		

MENCOM CORPORATION		
TITLE: PG21 - 1/2NPT Adapter		
SIZE B	DWG. NO. PG21-12	REV A
SCALE: 2:1	WEIGHT:	SHEET 1 OF 1

8 7 6 5 4 3 2 1