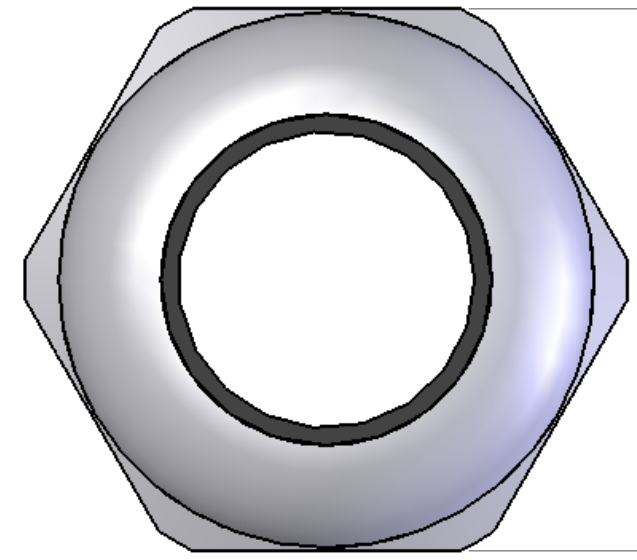
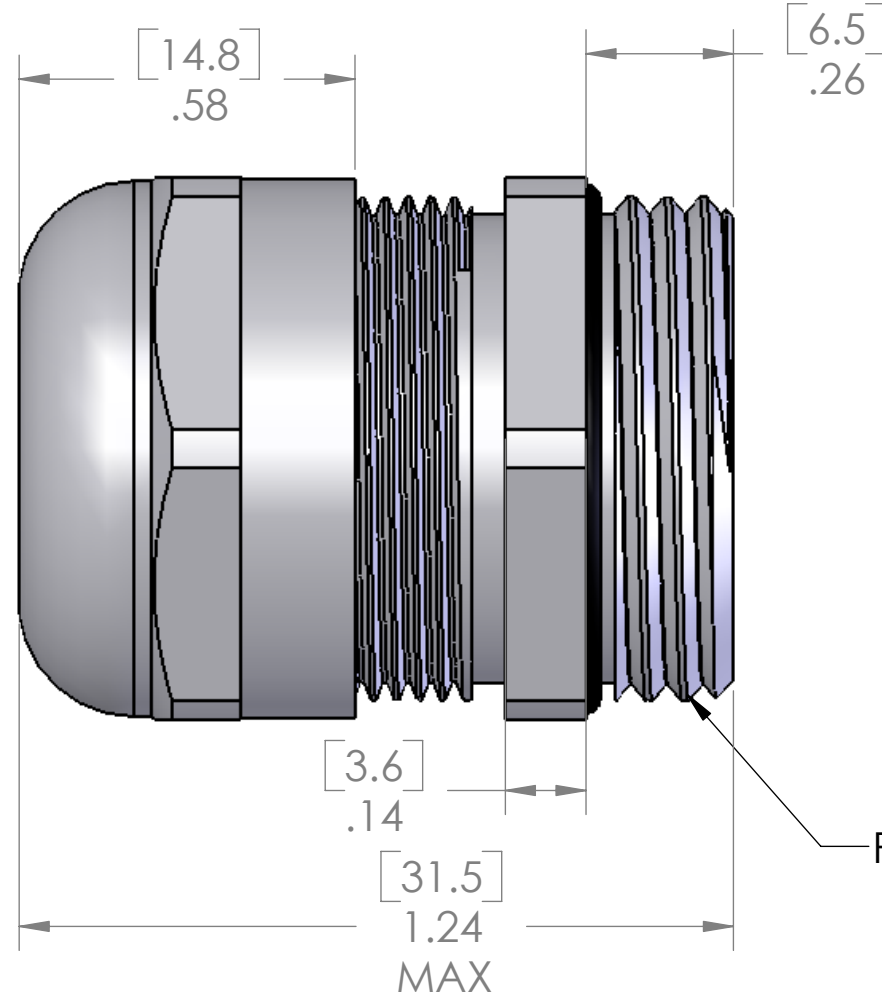


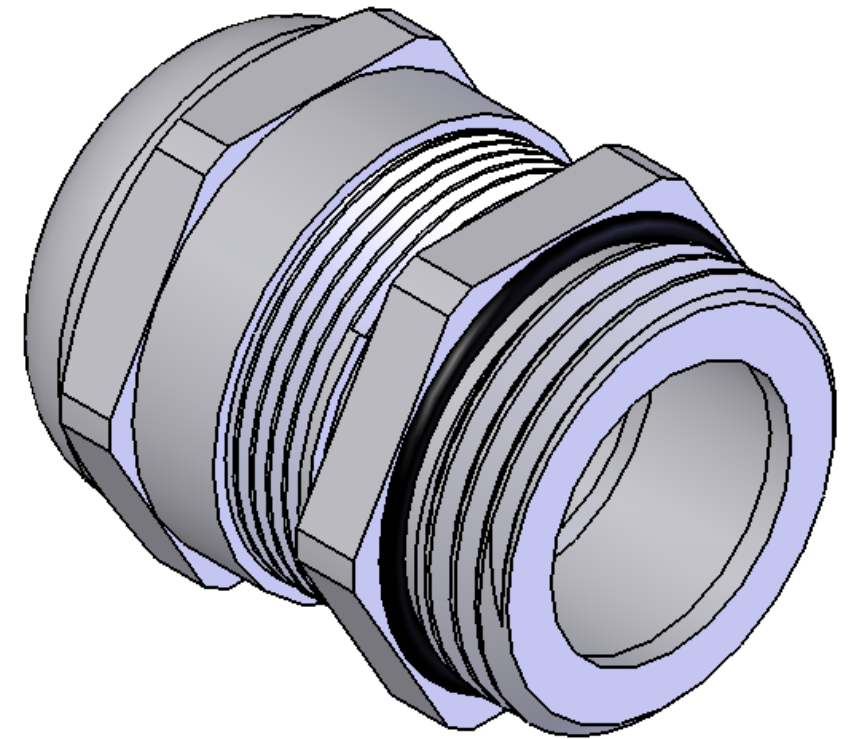
REVISIONS			
REV.	DESCRIPTION	DATE	APPROVED
A	REDRAWN IN NEW CAD	1/12/2005	
B	ADDED TABLE	6/1/2006	



[23.9]
.94



PG16 THREAD



LOCK NUT INCLUDED BUT NOT SHOWN

SEAL RATED TO: IP68

SPECIFICATIONS:	(B)
TIGHTENING TORQUE:	7.5 Nm
TEMPERATURE:	-20°C - +100°C

PART NUMBER	SEALING RANGE
MCG-16	0.394" - 0.551" [10-14MM]
MCG-16R	0.276" - 0.472" [7 - 12MM]

MATERIALS:	
BODY:	NICKEL PLATED BRASS
INSERT:	POLYAMIDE
GROMMET:	NEOPRENE
LOCK NUT:	NICKEL PLATED BRASS
O-RING:	BUNA-N

PROPRIETARY AND CONFIDENTIAL
THE INFORMATION CONTAINED IN THIS DRAWING IS THE SOLE PROPERTY OF MENCOM CORPORATION. ANY REPRODUCTION IN PART OR AS A WHOLE WITHOUT THE WRITTEN PERMISSION OF MENCOM CORPORATION IS PROHIBITED.

UNLESS OTHERWISE SPECIFIED:	
DIMENSIONS ARE IN INCHES	
MATERIAL	
FINISH	
DO NOT SCALE DRAWING	

NAME		MENCOM CORPORATION	
DRAWN	BEM	TITLE:	
CHECKED		PG16 METAL CABLE GLAND	
ENG APPR.		SIZE	DWG. NO.
MFG APPR.		B	MCG-16
Q.A.		SCALE: 3:1	WEIGHT:
COMMENTS:		REV B	
		SHEET 1 OF 1	