

8 7 6 5 4 3 2 1

D

D

C

C

B

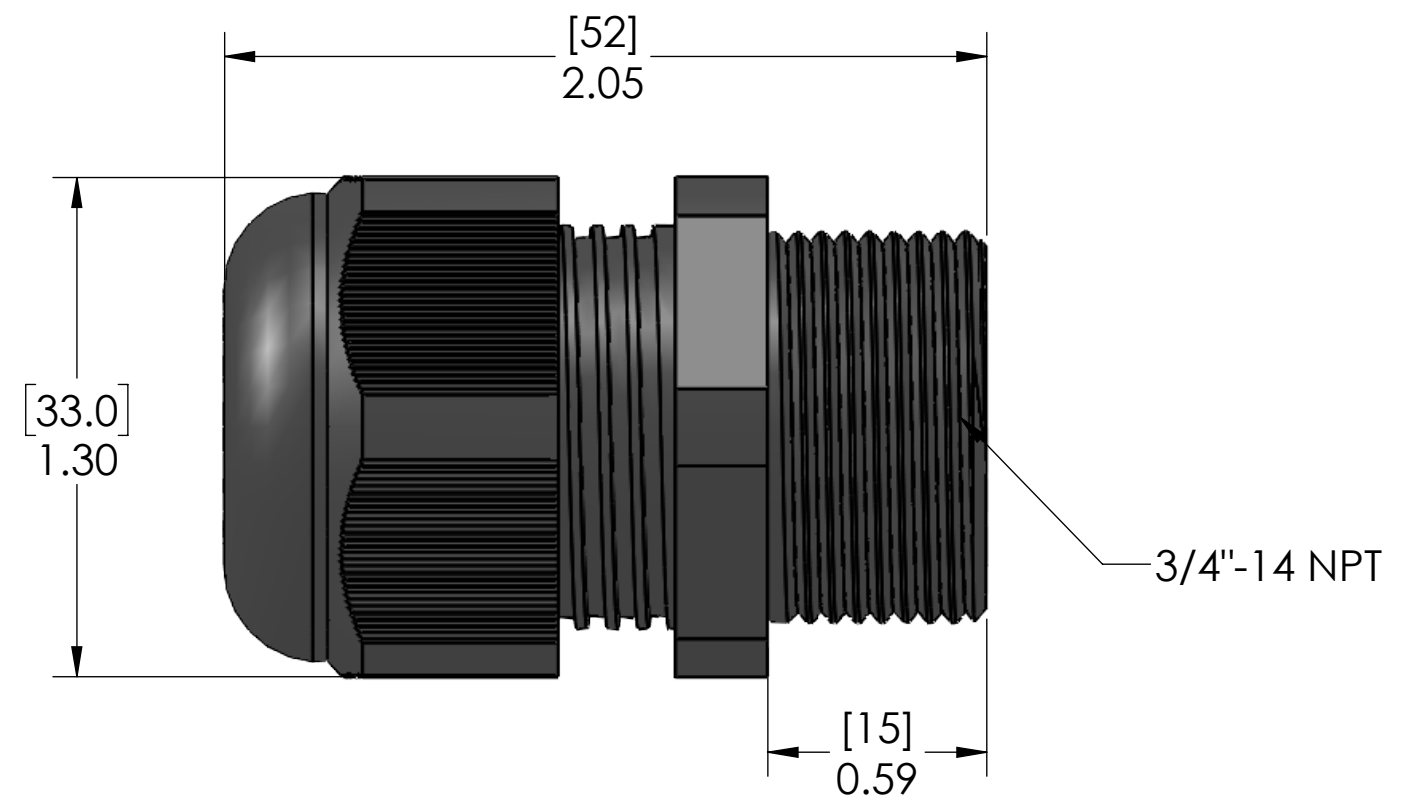
B

A

A



MULTI-HOLED GROMMET
SEE TABLE A FOR CONFIGURATIONS



NO O-RING IS NECESSARY TO OBTAIN IP65 SEAL. CRUSH RIBS ON THE UNDERSIDE OF HEX WILL PROVIDE THE SEAL.

LOCK-NUT ORDERED SEPARATELY. PART 234PA/SW

SEAL RATED TO: IP65 (WHEN ALL HOLES ARE POPULATED WITH APPROPRIATE SIZE CABLES)

TABLE A	
Part Number	SEALING RANGE
PCG-34-0x0-B	N.A.
PCG-34-2x7-B	2X(6.5MM TO 7.5MM)
PCG-34-2x8-B	2X(7.5MM TO 8.5MM)
PCG-34-2x9-B	2X(8.5MM TO 9.5MM)
PCG-34-3x7-B	3X(6.5MM TO 7.5MM)
PCG-34-3x8-B	3X(7.5MM TO 8.5MM)
PCG-34-4x6.5-B	4X(6.0MM TO 7.0MM)
PCG-34-4x7-B	4X(6.5MM TO 7.5MM)
PCG-34-4x7.5-B	4X(7.0MM TO 8.0MM)

MATERIALS	
BODY:	GRAY POLYAMIDE
GROMMET:	TPE
SPECIFICATIONS:	
TIGHTENING TORQUE:	5.0 Nm
TEMPERATURE:	-20°C - +100°C

PROPRIETARY AND CONFIDENTIAL
THE INFORMATION CONTAINED IN THIS DRAWING IS THE SOLE PROPERTY OF MENCOM CORPORATION. ANY REPRODUCTION IN PART OR AS A WHOLE WITHOUT THE WRITTEN PERMISSION OF MENCOM CORPORATION IS PROHIBITED.

UNLESS OTHERWISE SPECIFIED: DIMENSIONS ARE IN INCHES AND [MM]	DRAWN BY	APR
	DRAWN DATE	06/29/2022
	CHECKED BY	ADM
	CHECK DATE	06/29/2022
COMMENTS:		
MATERIAL		
FINISH		
DO NOT SCALE DRAWING		

MENCOM CORPORATION		
TITLE:		
SIZE	DWG. NO.	REV
B	PCG-34-XxX-B	A
SCALE: 4:2	WEIGHT:	SHEET 1 OF 1

8 7 6 5 4 3 2 1