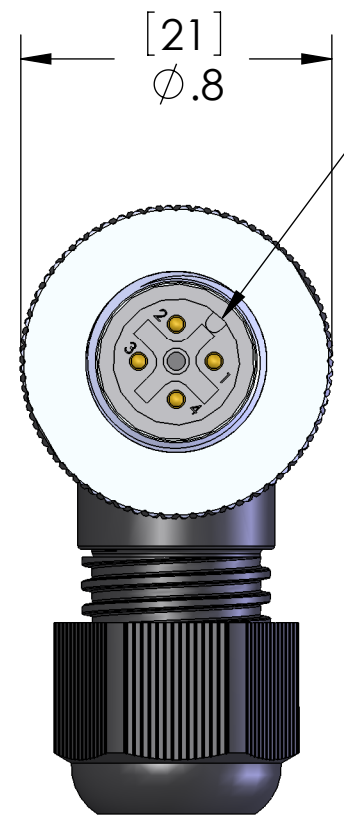
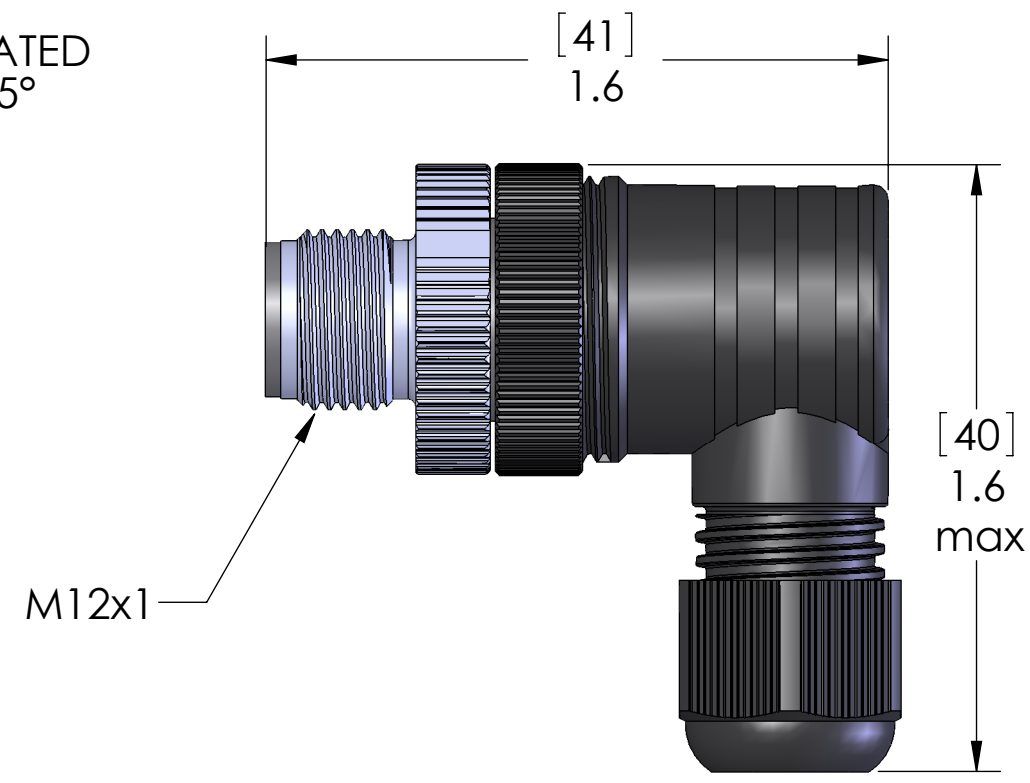


REVISIONS			
REV.	DESCRIPTION	DATE	APPROVED
A	REDRAWN IN SW	3/15/2006	



KEY ANGLE CAN BE ROTATED TO 45°, 135°, 225°, OR 315°



MATERIALS:	
BODY:	POLYAMIDE
COUPLING:	NICKEL PLATED ZINC
CONTACTS:	GOLD PLATED COPPER ALLOY
GROMMET:	NBR
SPECIFICATIONS:	
WIRE RANGE:	18-24AWG [1.0 - 0.25sqmm]
CABLE RANGE:	0.118 - 0.255 [3 - 6.5mm]
CONNECTION:	SCREW TERMINALS
VOLTS:	250V
AMPS:	4A
SEAL:	IP67

APPROVALS:	
US:	UL RECOGNIZED
CANADA:	C-UL RECOGNIZED

PROPRIETARY AND CONFIDENTIAL
 THE INFORMATION CONTAINED IN THIS DRAWING IS THE SOLE PROPERTY OF MENCOM CORPORATION. ANY REPRODUCTION IN PART OR AS A WHOLE WITHOUT THE WRITTEN PERMISSION OF MENCOM CORPORATION IS PROHIBITED.

UNLESS OTHERWISE SPECIFIED:	NAME
DIMENSIONS ARE IN INCHES AND [MM]	DRAWN BEM
	CHECKED
	ENG APPR.
	MFG APPR.
	Q.A.
	COMMENTS:
MATERIAL	
FINISH	
DO NOT SCALE DRAWING	

MENCOM CORPORATION		
TITLE: 4 POLE R/A MALE FIELD WIREABLE PLUG		
SIZE B	DWG. NO. MDC-4MP-FW07-R	REV A
SCALE: 2:1	WEIGHT:	SHEET 1 OF 1