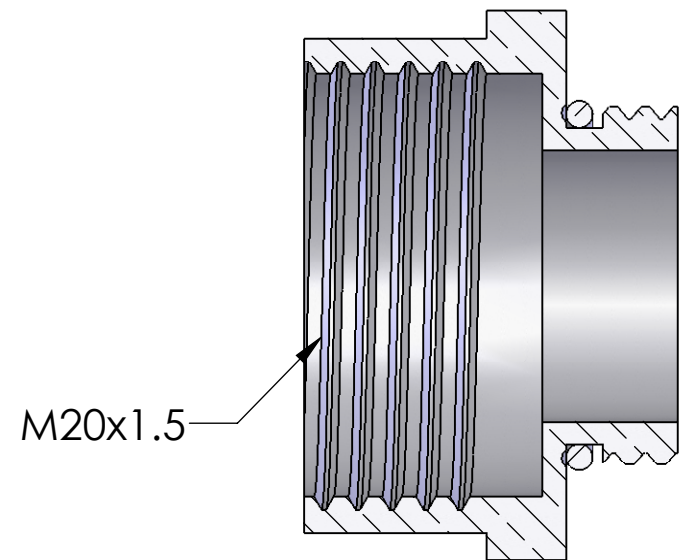
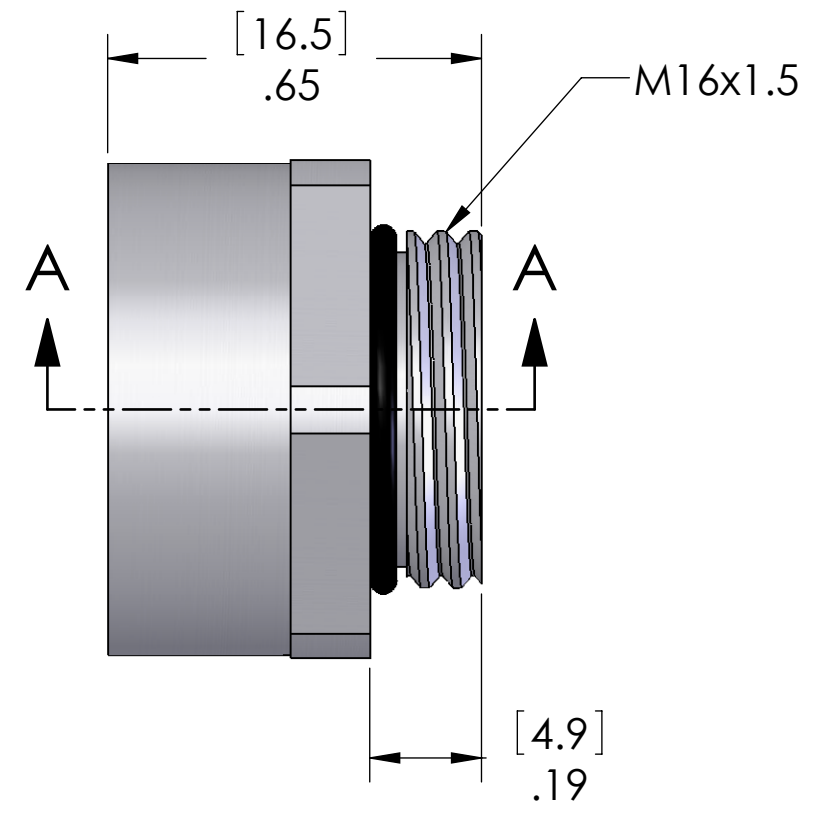
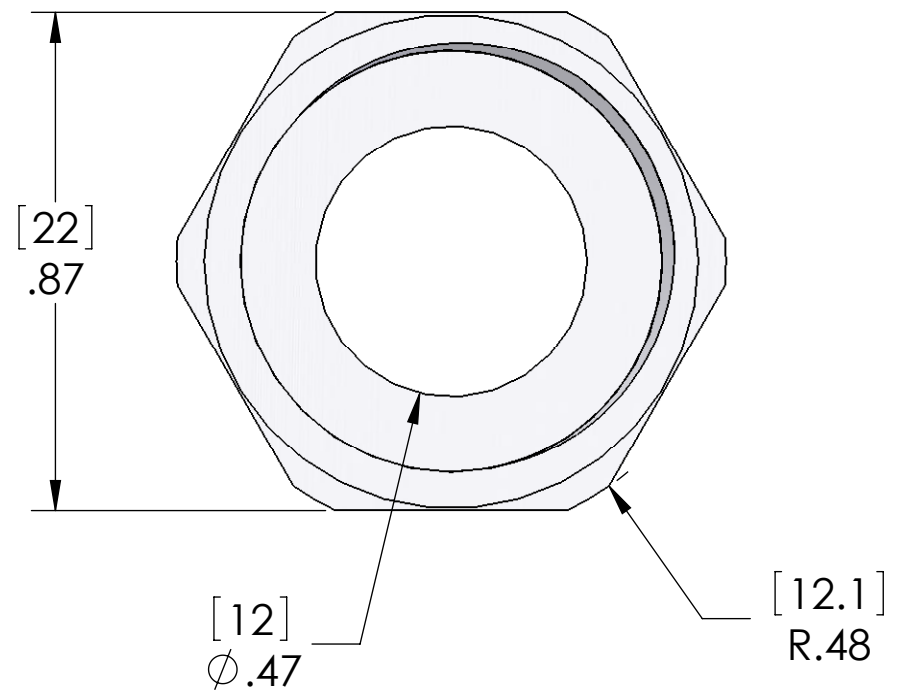


8 7 6 5 4 3 2 1

REVISIONS			
REV.	DESCRIPTION	DATE	APPROVED
A	REDRAWN IN SW	2/22/2005	



SECTION A-A



MATERIALS:	
BODY:	NICKEL PLATED BRASS
O-RING:	NBR

PROPRIETARY AND CONFIDENTIAL
 THE INFORMATION CONTAINED IN THIS DRAWING IS THE SOLE PROPERTY OF MENCOM CORPORATION. ANY REPRODUCTION IN PART OR AS A WHOLE WITHOUT THE WRITTEN PERMISSION OF MENCOM CORPORATION IS PROHIBITED.

UNLESS OTHERWISE SPECIFIED:	NAME
DIMENSIONS ARE IN INCHES AND [MM]	BEM
MATERIAL	
FINISH	
DO NOT SCALE DRAWING	

MENCOM CORPORATION		
TITLE:		
M16 MALE TO M20 FEM ADAPTER		
SIZE	DWG. NO.	REV
B	CRC-M16	A
SCALE: 3:1	WEIGHT:	SHEET 1 OF 1

D
C
B
A

D
C
B
A

8 7 6 5 4 3 2 1