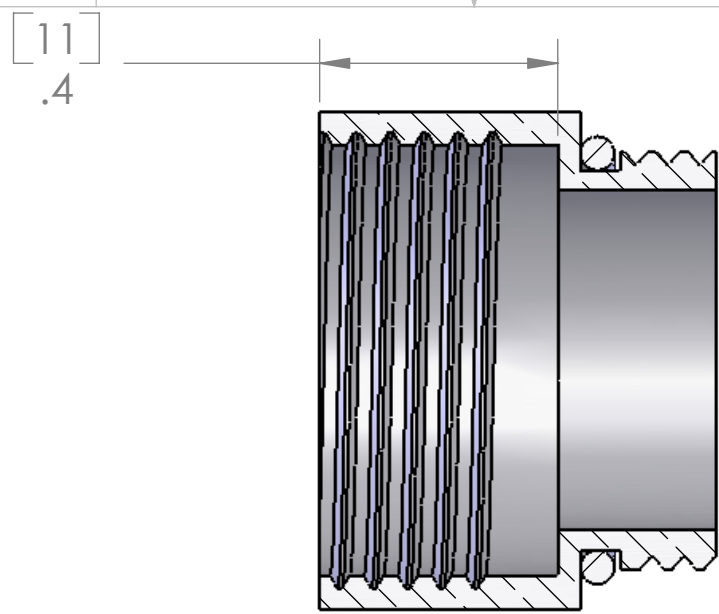
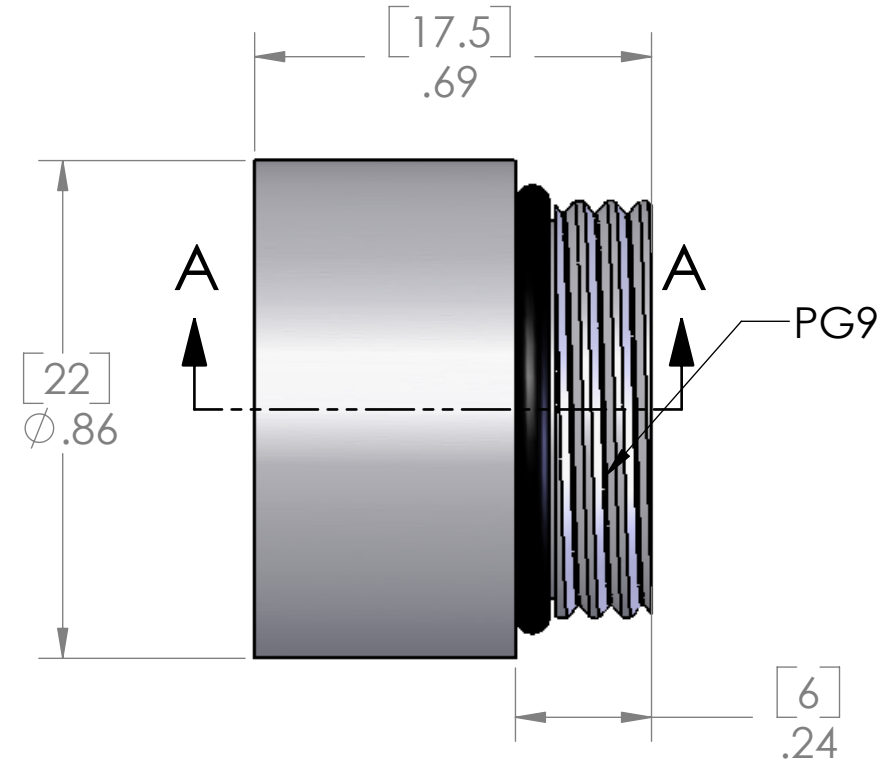
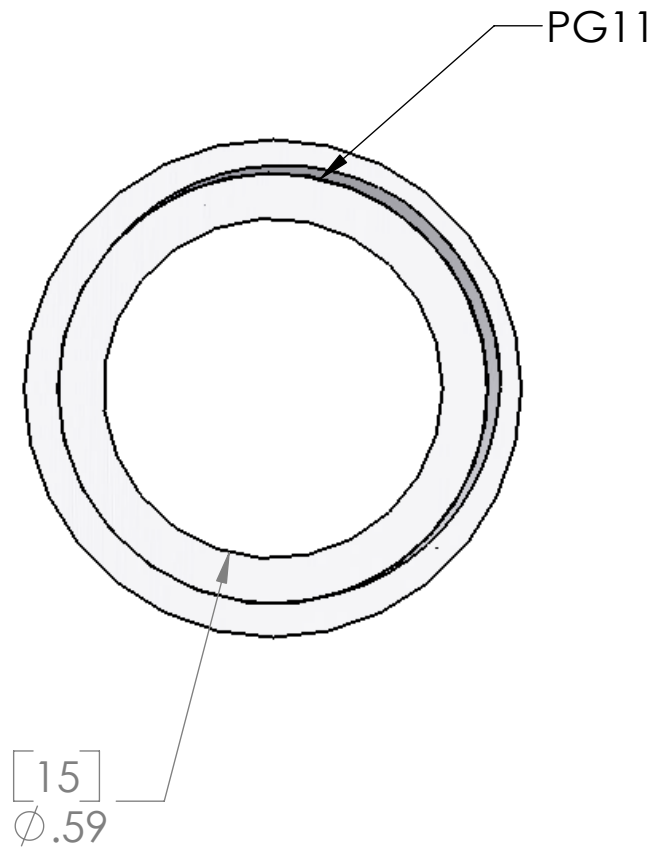


8 7 6 5 4 3 2 1

REVISIONS			
REV.	DESCRIPTION	DATE	APPROVED
A	REDRAWN IN SW	6/15/2006	



SECTION A-A



<b>MATERIALS:</b>	
<b>BODY:</b>	NICKEL PLATED BRASS
<b>O-RING:</b>	NBR

**PROPRIETARY AND CONFIDENTIAL**  
 THE INFORMATION CONTAINED IN THIS DRAWING IS THE SOLE PROPERTY OF MENCOM CORPORATION. ANY REPRODUCTION IN PART OR AS A WHOLE WITHOUT THE WRITTEN PERMISSION OF MENCOM CORPORATION IS PROHIBITED.

UNLESS OTHERWISE SPECIFIED:		NAME	MENCOM CORPORATION
DIMENSIONS ARE IN INCHES		DRAWN	DWM
		CHECKED	
		ENG APPR.	
		MFG APPR.	
		Q.A.	
		COMMENTS:	
MATERIAL			
FINISH			
DO NOT SCALE DRAWING			

TITLE:			MENCOM CORPORATION
M12 MALE TO M16 FEM ADAPTER			
SIZE	DWG. NO.	REV	
<b>B</b>	CRC-11	<b>A</b>	
SCALE: 3:1	WEIGHT:	SHEET 1 OF 1	

8 7 6 5 4 3 2 1