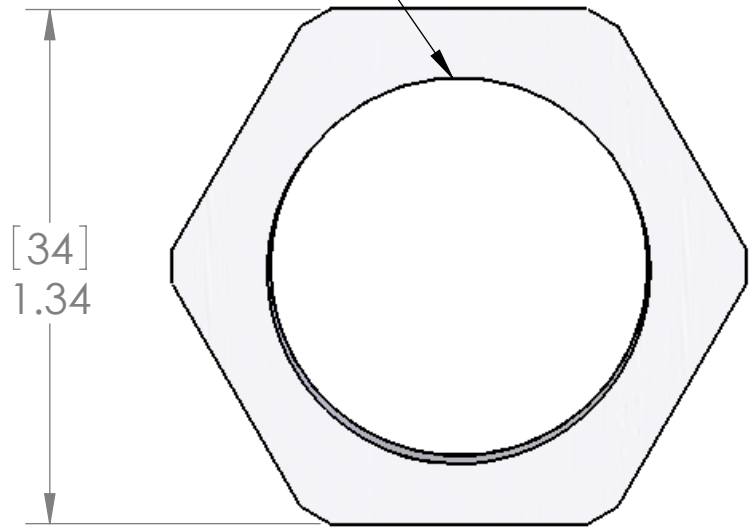


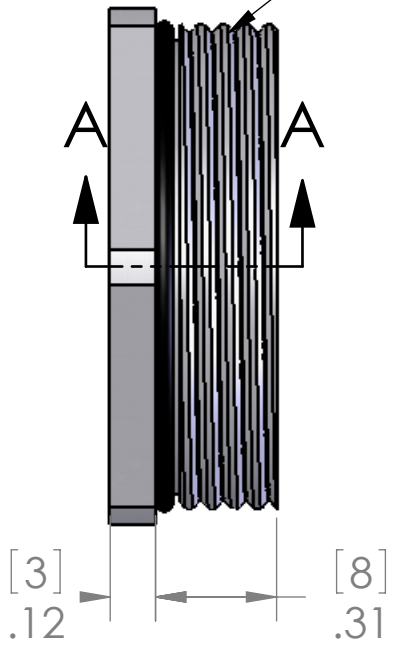
REVISIONS			
REV.	DESCRIPTION	DATE	APPROVED
A	DRAWN IN SW	12/17/2013	JJH

M25x1.5  
FEMALE



SECTION A-A

M32x1.5  
MALE



MATERIALS:	
BODY:	NICKEL PLATED BRASS
O-RING:	NBR

**PROPRIETARY AND CONFIDENTIAL**  
THE INFORMATION CONTAINED IN THIS DRAWING IS THE SOLE PROPERTY OF MENCOM CORPORATION. ANY REPRODUCTION IN PART OR AS A WHOLE WITHOUT THE WRITTEN PERMISSION OF MENCOM CORPORATION IS PROHIBITED.

UNLESS OTHERWISE SPECIFIED:	
DIMENSIONS ARE IN INCHES	
MATERIAL	
FINISH	
DO NOT SCALE DRAWING	

NAME	RSC
DRAWN	
CHECKED	
ENG APPR.	
MFG APPR.	
Q.A.	
COMMENTS:	

MENCOM CORPORATION		
TITLE: M32 MALE TO M25 FEM ADAPTER		
SIZE	DWG. NO.	REV
<b>B</b>	CEC-M25	<b>A</b>
SCALE: 2:1	WEIGHT:	SHEET 1 OF 1