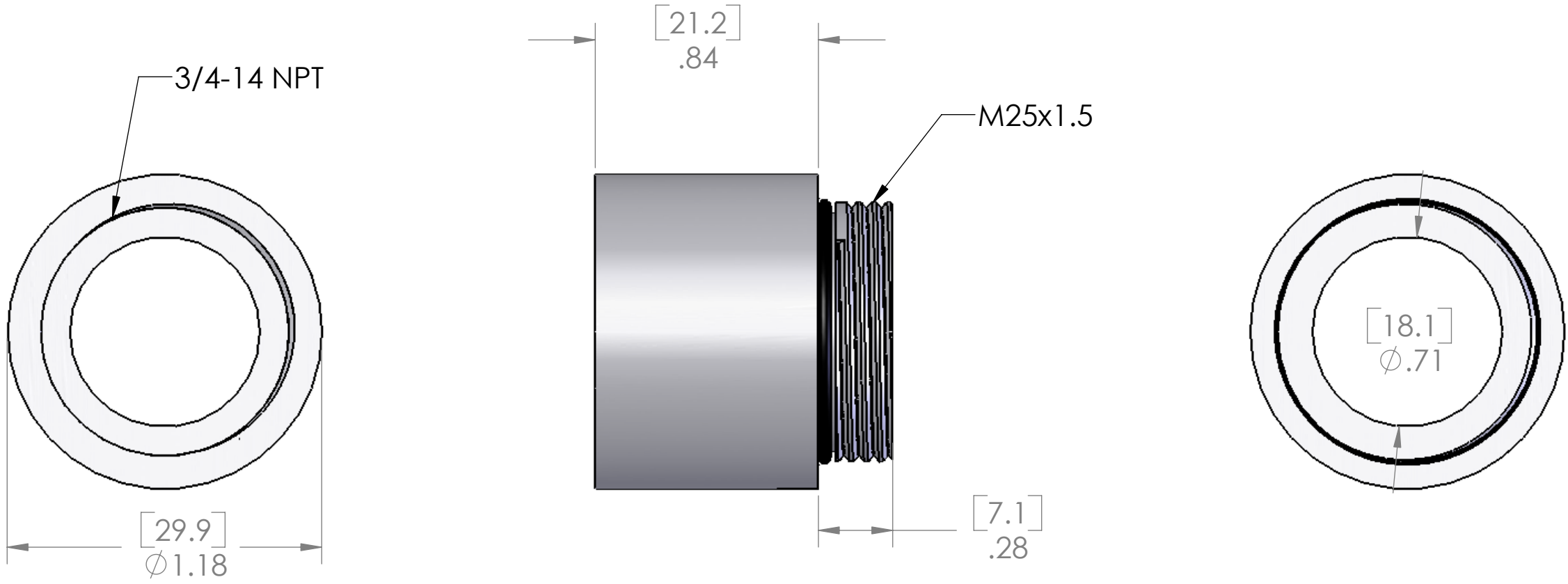


REVISIONS		
REV.	DESCRIPTION	DATE
A	REDRAWN IN SW	8/14/2006



MATERIALS:	
BODY:	NICKEL PLATED BRASS
O-RING:	BUNA-N

PROPRIETARY AND CONFIDENTIAL
 THE INFORMATION CONTAINED IN THIS DRAWING IS THE SOLE PROPERTY OF MENCOM CORPORATION. ANY REPRODUCTION IN PART OR AS A WHOLE WITHOUT THE WRITTEN PERMISSION OF MENCOM CORPORATION IS PROHIBITED.

UNLESS OTHERWISE SPECIFIED: DIMENSIONS ARE IN INCHES AND [MM]	DRAWN	NAME
	CHECKED	DWM
	ENG APPR.	
	MFG APPR.	
	Q.A.	
MATERIAL	COMMENTS:	
FINISH		
DO NOT SCALE DRAWING		

MENCOM CORPORATION		
TITLE: M25 MALE TO 3/4" NPT FEM ADAPTER		
SIZE B	DWG. NO. M25-3/4	REV A
SCALE: 2:1	WEIGHT:	SHEET 1 OF 1