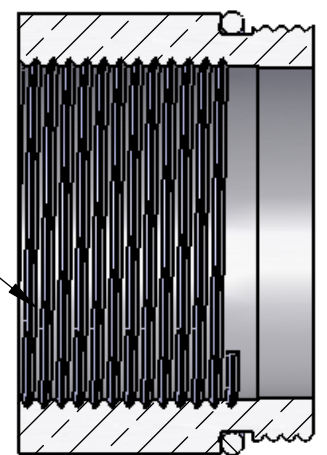
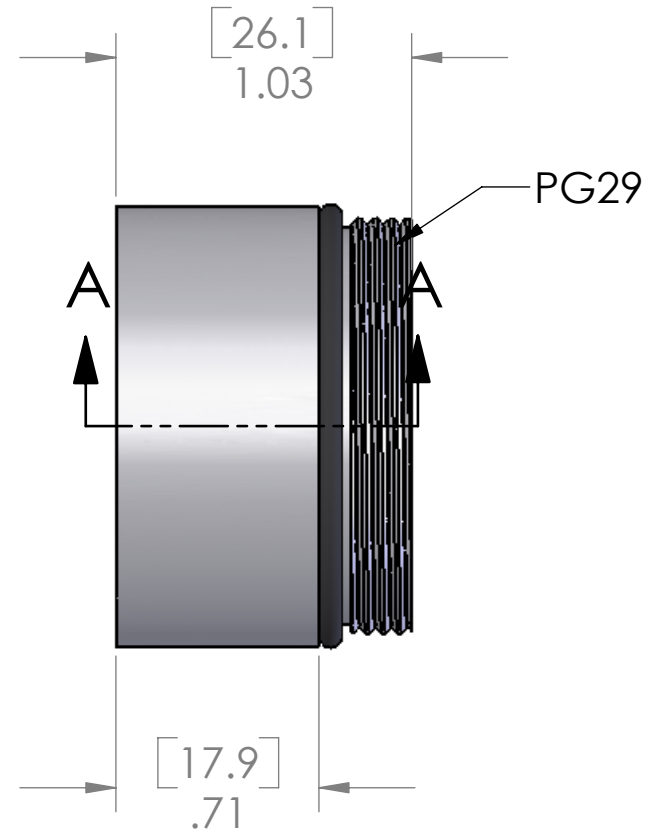
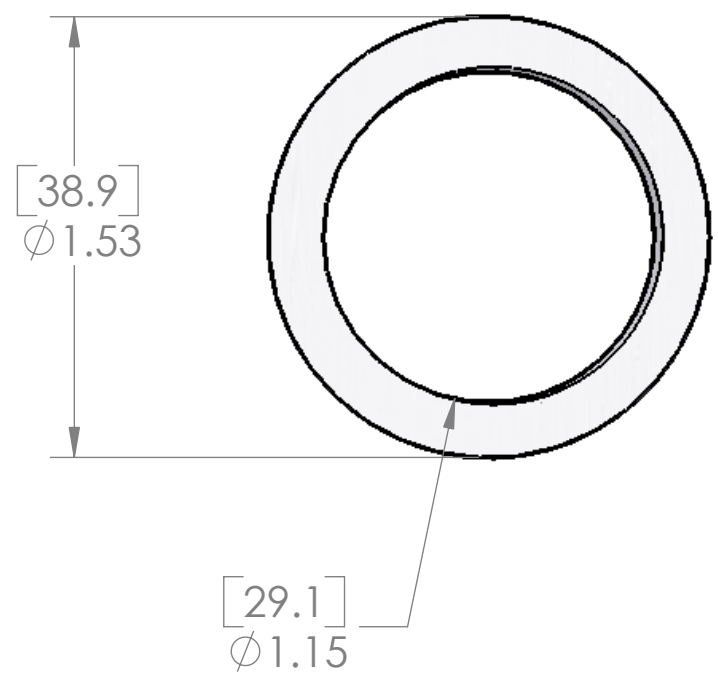


REVISIONS			
REV.	DESCRIPTION	DATE	APPROVED
A	REDRAWN IN SW	9/12/2005	

1" NPT  
Female  
Thread



SECTION A-A



<b>MATERIALS:</b>	
<b>BODY:</b>	NICKEL PLATED BRASS
<b>O-RING:</b>	NBR

**PROPRIETARY AND CONFIDENTIAL**  
THE INFORMATION CONTAINED IN THIS DRAWING IS THE SOLE PROPERTY OF MENCOM CORPORATION. ANY REPRODUCTION IN PART OR AS A WHOLE WITHOUT THE WRITTEN PERMISSION OF MENCOM CORPORATION IS PROHIBITED.

UNLESS OTHERWISE SPECIFIED:		NAME
DIMENSIONS ARE IN INCHES		DRAWN BEM
		CHECKED
		ENG APPR.
		MFG APPR.
		Q.A.
		COMMENTS:
MATERIAL		
FINISH		
DO NOT SCALE DRAWING		

MENCOM CORPORATION		
TITLE: PG29 TO M40 ADAPTER		
SIZE	DWG. NO.	REV
<b>B</b>	PG29-1	<b>A</b>
SCALE: 3:2	WEIGHT:	SHEET 1 OF 1