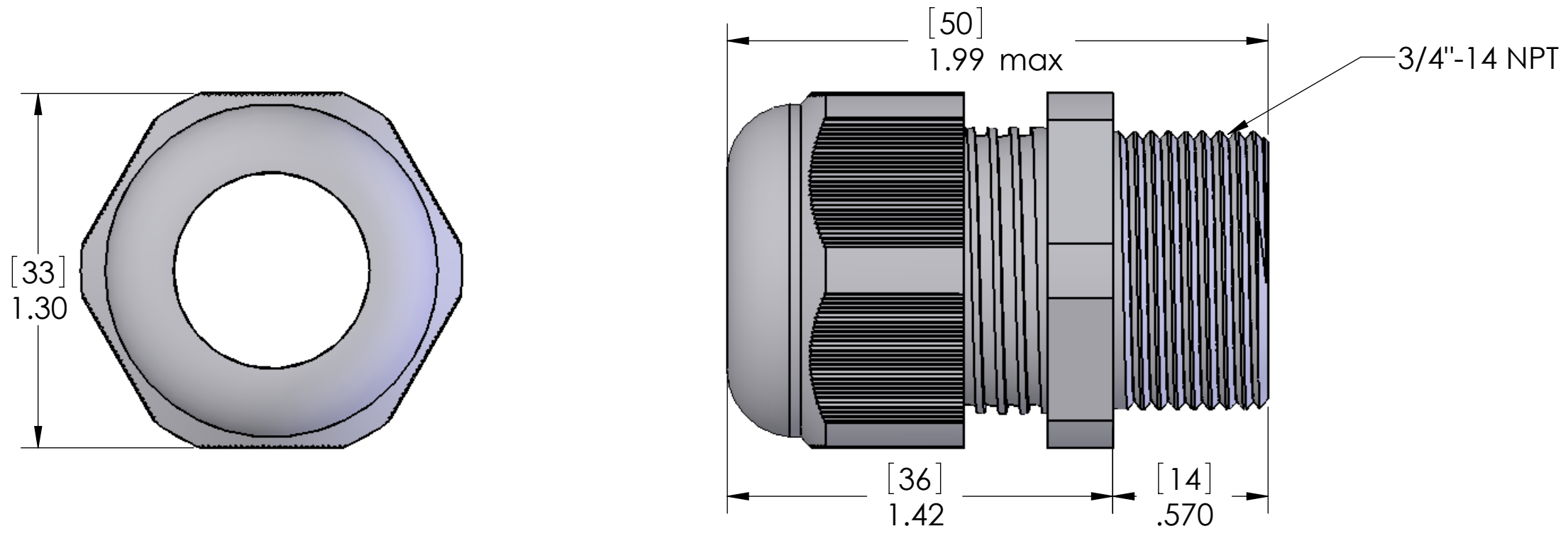


REVISIONS		
REV.	DESCRIPTION	DATE
A	REDRAWN IN SW	6/1/2006



NO O-RING IS NECESSARY TO OBTAIN IP68 SEAL. CRUSH RIBS ON THE UNDERSIDE OF HEX WILL PROVIDE THE SEAL.

SEAL RATED TO: IP68

<b>MATERIALS</b>	
<b>BODY:</b>	<b>GRAY OR BLACK POLYAMIDE</b>
<b>GROMMET:</b>	<b>NEOPRENE</b>

<b>SPECIFICATIONS:</b>	
<b>TIGHTENING TORQUE:</b>	<b>7.5 Nm</b>
<b>TEMPERATURE:</b>	<b>-20°C - +100°C</b>

<b>APPROVALS:</b>	
<b>US</b>	<b>UL RECOGNIZED</b>
<b>CANADA</b>	<b>C-UL RECOGNIZED</b>

PART NUMBER	COLOR	SEALING RANGE
PCG-3/4	GRAY	.551 - .708 [13 - 18 MM]
PCG-3/4R	GRAY	.354 - .630 [9 - 16 MM]
PCG-3/4-B	BLACK	.551 - .708 [13 - 18 MM]
PCG-3/4R-B	BLACK	.354 - .630 [9 - 16 MM]

**PROPRIETARY AND CONFIDENTIAL**  
 THE INFORMATION CONTAINED IN THIS DRAWING IS THE SOLE PROPERTY OF MENCOM CORPORATION. ANY REPRODUCTION IN PART OR AS A WHOLE WITHOUT THE WRITTEN PERMISSION OF MENCOM CORPORATION IS PROHIBITED.

UNLESS OTHERWISE SPECIFIED:  
 DIMENSIONS ARE IN INCHES

MATERIAL

FINISH

SPECIFICATIONS

DO NOT SCALE DRAWING

NAME	MENCOM CORPORATION	
DRAWN	DWM	TITLE:
CHECKED		
ENG APPR.		
MFG APPR.		
Q.A.		
COMMENTS:		
SIZE	DWG. NO.	REV
<b>B</b>	PCG-3/4	<b>A</b>
SCALE: 2:1	WEIGHT:	SHEET 1 OF 1