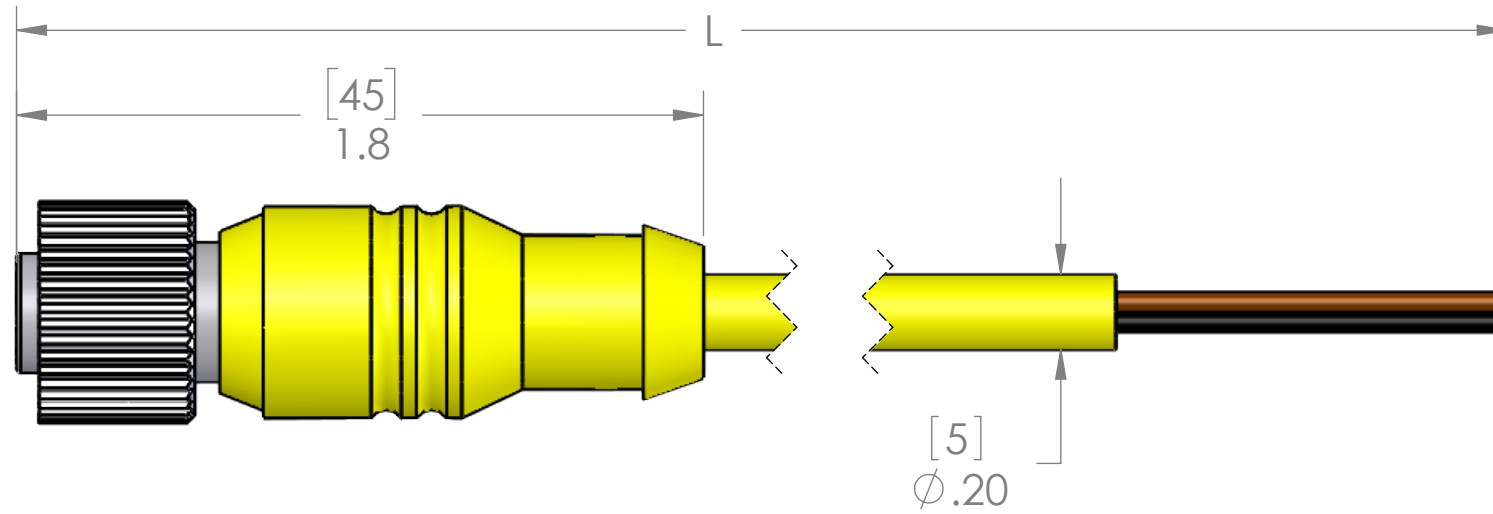
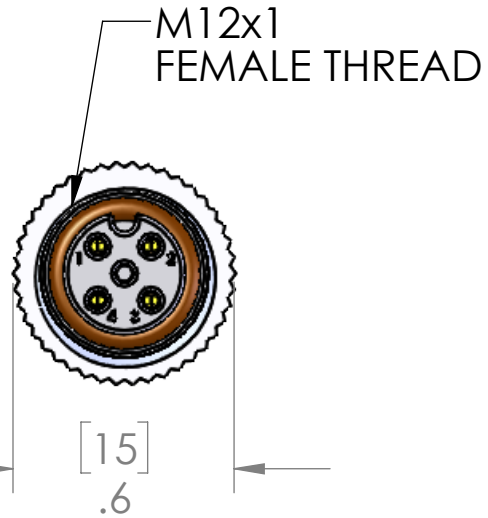


PIN #	COLOR
1	BROWN
2	WHITE
3	BLUE
4	BLACK



P/N	L	STD?
MDC-4FP-1M	40" [1m]	YES
MDC-4FP-2M	79" [2m]	YES
MDC-4FP-2.5M	98" [2.5m]	NO
MDC-4FP-3M	118" [3m]	YES
MDC-4FP-4M	157" [4m]	YES
MDC-4FP-5M	197" [5m]	YES
MDC-4FP-6M	236" [6m]	NO
MDC-4FP-8M	315" [8m]	NO
MDC-4FP-10M	393" [10m]	YES
MDC-4FP-15M	591" [15m]	YES
MDC-4FP-20M	787" [20m]	YES
MDC-4FP-30M	1181" [30m]	NO
MDC-4FP-50M	1968" [50m]	NO

PARTS LISTED AS NOT BEING STANDARD
MAY HAVE MINIMUM ORDER QUANTITIES

MATERIALS	
BODY:	YELLOW PVC
CONTACTS:	GOLD PLATED COPPER ALLOY
CABLE:	
STYLE:	AWM
AWG:	22/4
JACKET:	YELLOW PVC
VOLTAGE:	600V
SHIELD:	NO
COUPLING:	NICKEL PLATED BRASS
INSERT:	POLYAMIDE
O-RING:	FPM
APPROVALS	
US:	UL LISTED
CANADA:	C-UL LISTED
ROHS:	YES
CE:	YES
RATINGS	
PROTECTION CLASS:	UL TYPE 4 & 12, IEC IP69

PROPRIETARY AND CONFIDENTIAL
THE INFORMATION CONTAINED IN THIS DRAWING IS THE SOLE PROPERTY OF MENCOM CORPORATION. ANY REPRODUCTION IN PART OR AS A WHOLE WITHOUT THE WRITTEN PERMISSION OF MENCOM CORPORATION IS PROHIBITED.

VOLTS	300V
AMPS	4A
TEMP:	105°C

UNLESS OTHERWISE SPECIFIED:	DRAWN BY	ADM
DIMENSIONS ARE IN INCHES AND [MM]	DRAWN DATE	08/04/2021
	CHECKED BY	JJH
	CHECK DATE	08/05/2021
MATERIAL	COMMENTS:	
FINISH		
DO NOT SCALE DRAWING		

MENCOM CORPORATION		
TITLE: 4 PL MDC FEM PLG		
SIZE	DWG. NO.	REV
B	MDC-4FP-ZZ	C
SCALE: 2:1	WEIGHT:	SHEET 1 OF 1