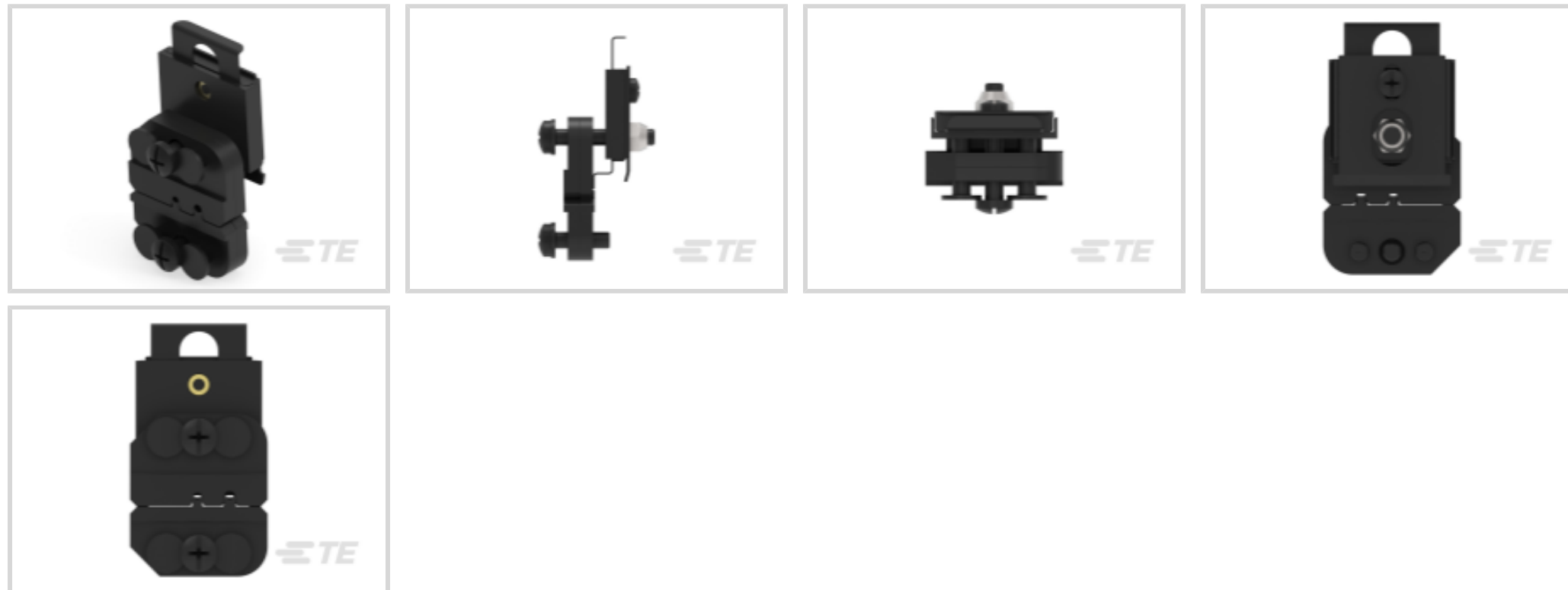




Application Tooling > Portable Crimp Tools



Tool Grade: **Commercial Crimp Tooling**  
 Die Sets Type: **Removable/Interchangeable**  
 Specification Type: **TE Product Specification (114-)**  
 TE Certification: **Cannot be Certified**  
 Power Technology Type: **Manual**

### Features

#### Other

Crimp Form-Wire Barrel Type	Open Barrel - F Crimp
Tool Grade	Commercial Crimp Tooling
Die Sets Type	Removable/Interchangeable
Specification Type	TE Product Specification (114-)
TE Certification	Cannot be Certified
Power Technology Type	Manual
Tooling Type	Die Sets

### Product Compliance

[For compliance documentation, visit the product page on TE.com>](#)

EU RoHS Directive 2011/65/EU	Out of Scope
EU ELV Directive 2000/53/EC	Out of Scope
China RoHS 2 Directive MIIT Order No 32, 2016	No Restricted Materials Above Threshold
EU REACH Regulation (EC) No. 1907/2006	Current ECHA Candidate List: JAN 2022 (223) Not Yet Reviewed



Halogen Content

Not Yet Reviewed for halogen content

Solder Process Capability

Not applicable for solder process capability

Product Compliance Disclaimer

This information is provided based on reasonable inquiry of our suppliers and represents our current actual knowledge based on the information they provided. This information is subject to change. The part numbers that TE has identified as EU RoHS compliant have a maximum concentration of 0.1% by weight in homogenous materials for lead, hexavalent chromium, mercury, PBB, PBDE, DBP, BBP, DEHP, DIBP, and 0.01% for cadmium, or qualify for an exemption to these limits as defined in the Annexes of Directive 2011/65/EU (RoHS2). Finished electrical and electronic equipment products will be CE marked as required by Directive 2011/65/EU. Components may not be CE marked. Additionally, the part numbers that TE has identified as EU ELV compliant have a maximum concentration of 0.1% by weight in homogenous materials for lead, hexavalent chromium, and mercury, and 0.01% for cadmium, or qualify for an exemption to these limits as defined in the Annexes of Directive 2000/53/EC (ELV). Regarding the REACH Regulation, the information TE provides on SVHC in articles for this part number is based on the latest European Chemicals Agency (ECHA) 'Guidance on requirements for substances in articles' posted at this URL: <https://echa.europa.eu/guidance-documents/guidance-on-reach>

### Compatible Parts



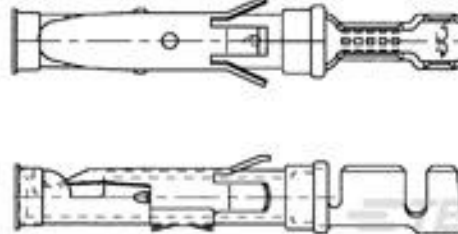
TE Part # CAT-AM71-T98D  
 TYPE III CONTACTS LP EMEA



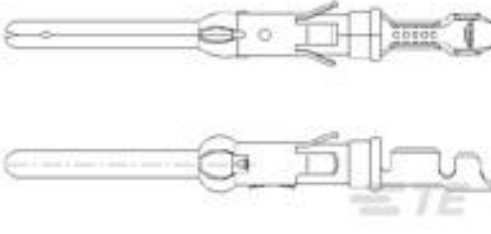
TE Part # CAT-AM71-T98C  
 TYPE III CONTACTS STRIP EMEA



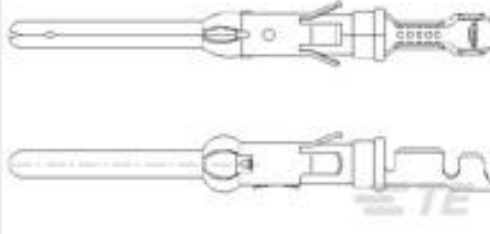
TE Part # CAT-AM71-T98B  
 TYPE III CONTACTS STRIP



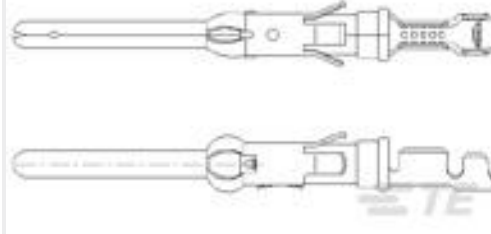
TE Part # 163087-8  
 062 SOC.ASS. TYP3+



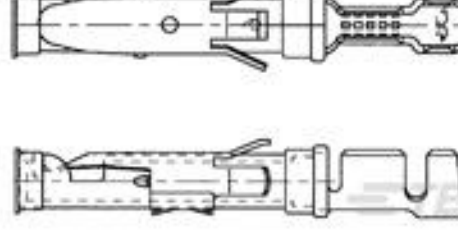
TE Part # 1-163085-1  
 SPEC. PLATED



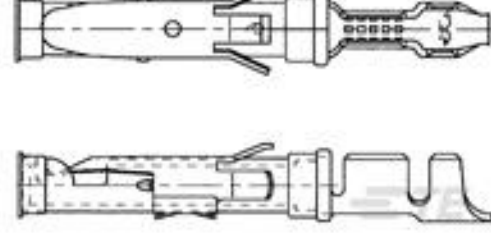
TE Part # 163085-8  
 .062 DIA PIN ASS 3+



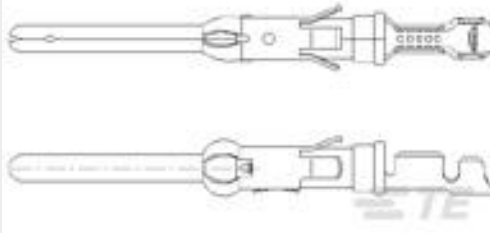
TE Part # 5-163085-2  
 .062 PIN, TYPE III Contact



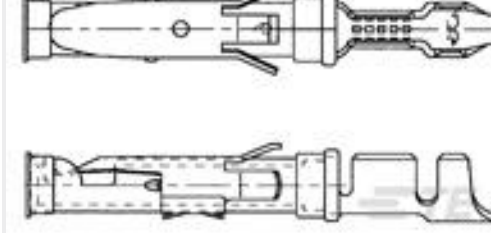
TE Part # 1-163087-1  
 SPEC.PLATED



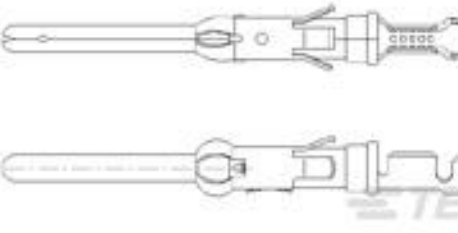
TE Part # 163087-9  
 062 SOC.ASS. TYP3+



TE Part # 1-163089-1  
 .062 DIA PIN ASS.3+



TE Part # 1-163091-1  
 SPEC.PLATED



TE Part # 163089-8  
 062 PIN ASS. TYP3+



## Documents

### Datasheets & Catalog Pages

#### Bottoming Dies

English

#### SDE Crimp Commercial Tool System

English

### Instruction Sheets

#### Instruction Sheet (U.S.)

English