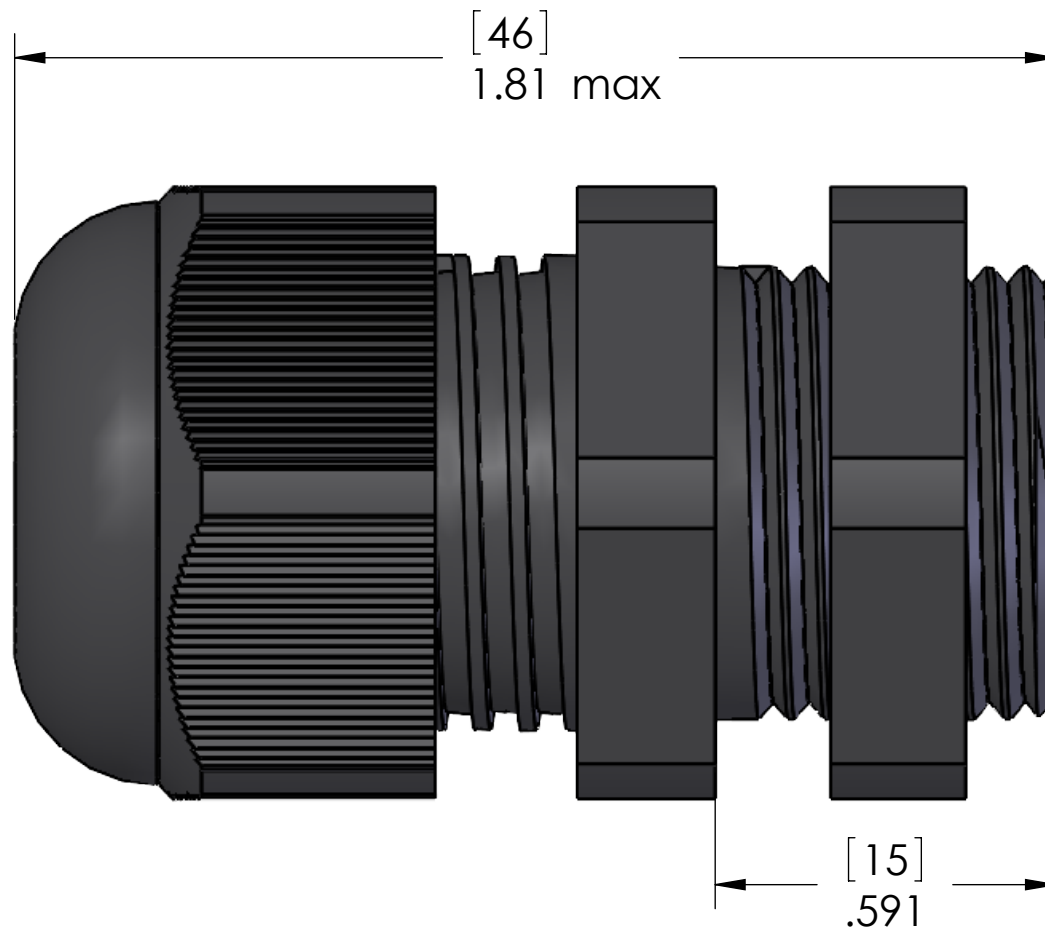


[27]
1.06



[46]
1.81 max

[15]
.591

M20x1.5 Thread

NO O-RING IS NECESSARY TO OBTAIN IP68 SEAL. CRUSH RIBS ON THE UNDERSIDE OF HEX WILL PROVIDE THE SEAL.

SEALING RANGE: .197" - .354" (5 - 9MM)
SEAL RATED TO: IP68

MATERIALS	
BODY:	BLACK POLYAMIDE
GROMMET:	CR/NBR

SPECIFICATIONS:	
TIGHTENING TORQUE:	3.75 Nm
TEMPERATURE:	-20°C - +100°C

APPROVALS:	
US	UL RECOGNIZED
CANADA	C-UL RECOGNIZED

PROPRIETARY AND CONFIDENTIAL
THE INFORMATION CONTAINED IN THIS DRAWING IS THE SOLE PROPERTY OF MENCOM CORPORATION. ANY REPRODUCTION IN PART OR AS A WHOLE WITHOUT THE WRITTEN PERMISSION OF MENCOM CORPORATION IS PROHIBITED.

UNLESS OTHERWISE SPECIFIED:	DRAWN BY	GO
DIMENSIONS ARE IN INCHES AND [MM]	DRAWN DATE	06/29/2022
	CHECKED BY	
	CHECK DATE	
MATERIAL	COMMENTS:	
FINISH		
DO NOT SCALE DRAWING		

MENCOM CORPORATION		
TITLE: PLSTC CBL GLND M20 THRD 5-9MM		
SIZE B	DWG. NO. PCG-M20RL-B	REV A
SCALE: 3:1	WEIGHT:	SHEET 1 OF 1