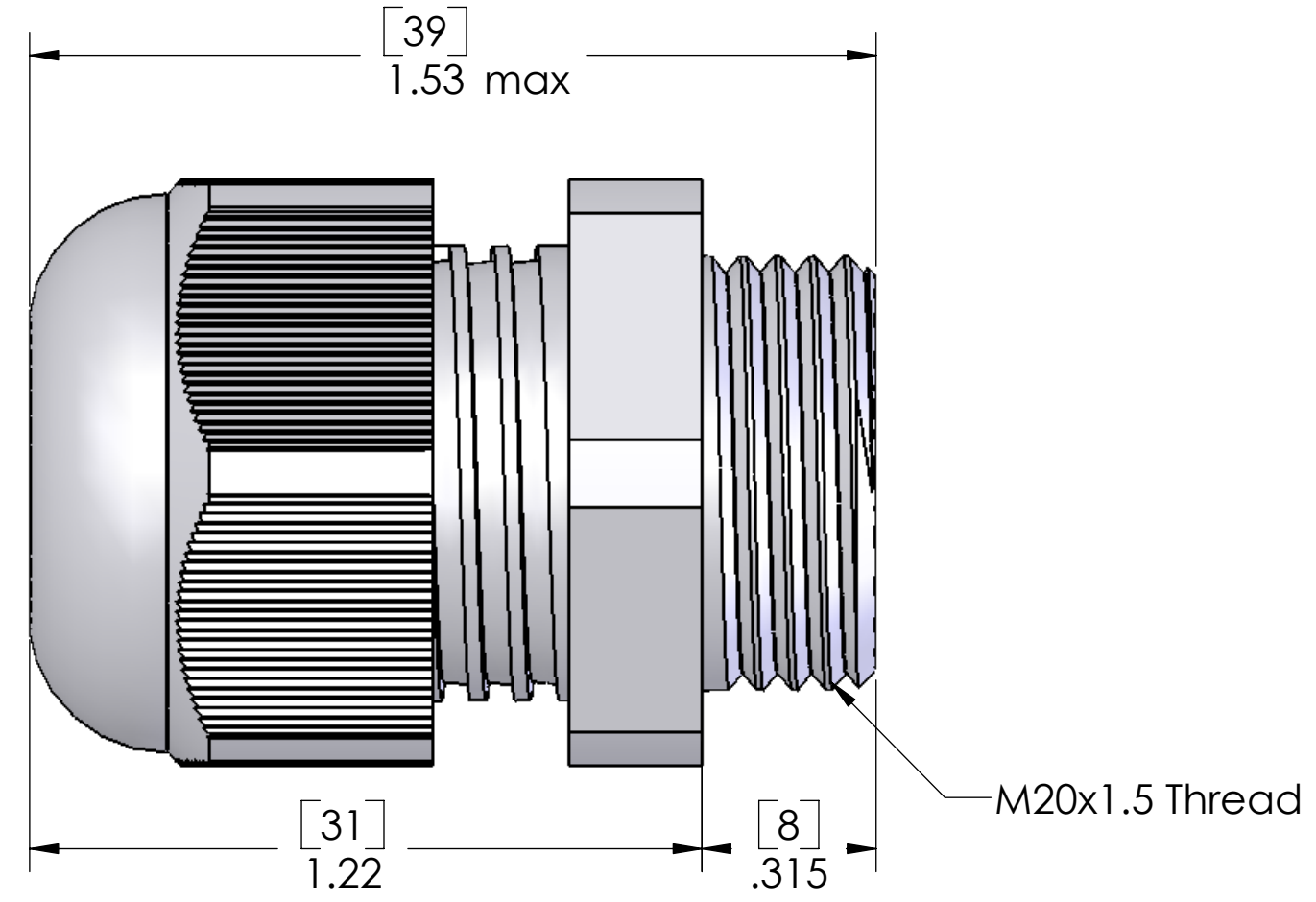
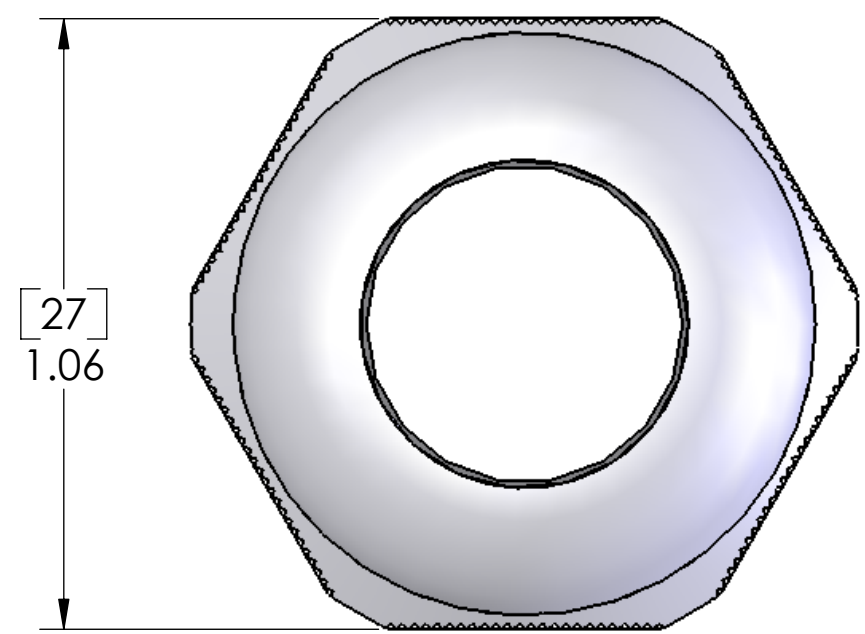


| REVISIONS | | |
|-----------|---------------|-----------|
| REV. | DESCRIPTION | DATE |
| A | REDRAWN IN SW | 2/25/2005 |



M20 LOCK NUT INCLUDED BUT NOT SHOWN
 NO O-RING IS NECESSARY TO OBTAIN IP68 SEAL. CRUSH RIBS ON THE UNDERSIDE OF HEX WILL PROVIDE THE SEAL.

| | |
|------------------|-----------------------|
| MATERIALS | |
| BODY: | GRAY POLYAMIDE |
| GROMMET: | NEOPRENE |

| | |
|---------------------------|-----------------------|
| SPECIFICATIONS: | |
| TIGHTENING TORQUE: | 3.75 Nm |
| TEMPERATURE: | -20°C - +100°C |

| | |
|-------------------|------------------------|
| APPROVALS: | |
| US | UL RECOGNIZED |
| CANADA | C-UL RECOGNIZED |

| PART NUMBER | COLOR | SEALING RANGE |
|-------------------|--------------|----------------|
| PCG-M20 | GRAY | 10-14mm |
| PCG-M20R-B | BLACK | 10-14mm |

UNLESS OTHERWISE SPECIFIED:
 DIMENSIONS ARE IN INCHES AND [MM]

MATERIAL

FINISH

DO NOT SCALE DRAWING

| | | |
|------------|---------------------------|--------------|
| NAME | MENCOM CORPORATION | |
| DRAWN | BEM | TITLE: |
| CHECKED | | |
| ENG APPR. | | |
| MFG APPR. | | |
| Q.A. | | |
| COMMENTS: | | |
| SIZE | DWG. NO. | REV |
| B | PCG-M20 | A |
| SCALE: 3:1 | WEIGHT: | SHEET 1 OF 1 |

PROPRIETARY AND CONFIDENTIAL
 THE INFORMATION CONTAINED IN THIS DRAWING IS THE SOLE PROPERTY OF MENCOM CORPORATION. ANY REPRODUCTION IN PART OR AS A WHOLE WITHOUT THE WRITTEN PERMISSION OF MENCOM CORPORATION IS PROHIBITED.

| | |
|----------------|--|
| SPECIFICATIONS | |
| | |