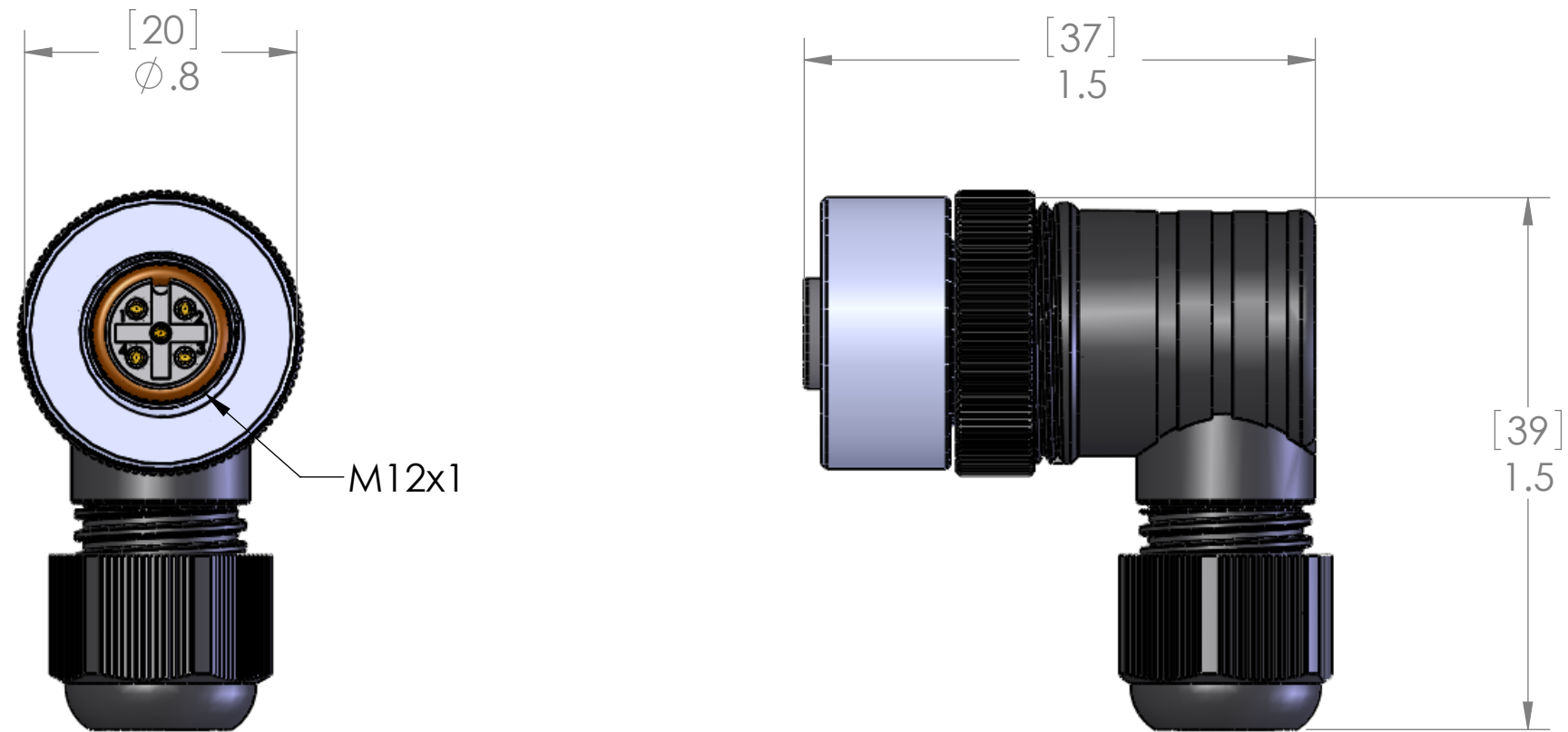


REVISIONS			
REV.	DESCRIPTION	DATE	APPROVED
A	Redrawn	9/6/2007	
B	UL & SPECS CHANGED	11/10/2014	JJH



MATERIALS:	
BODY:	POLYAMIDE
COUPLING:	NICKEL PLATED ZINC
CONTACTS:	GOLD PLATED COPPER ALLOY
GROMMET:	NBR
O-RINGS:	NBR & FPM
SPECIFICATIONS:	
WIRE RANGE:	18-24AWG [1.0 - 0.25sqmm]
CABLE RANGE:	0.118 - 0.255 [3.0 - 6.5mm]
CONNECTION:	SCREW TERMINALS
VOLTS:	125V
AMPS:	4A
SEAL:	IP67
TEMP RANGE:	STATIC: -40°C - +100°C
	DYNAMIC: -20°C -+100°C

APPROVALS:	
US:	UL LISTED
CANADA:	C-UL LISTED

All connections made via Screw Terminals.

**PROPRIETARY AND CONFIDENTIAL**  
 THE INFORMATION CONTAINED IN THIS DRAWING IS THE SOLE PROPERTY OF MENCOM CORPORATION. ANY REPRODUCTION IN PART OR AS A WHOLE WITHOUT THE WRITTEN PERMISSION OF MENCOM CORPORATION IS PROHIBITED.

UNLESS OTHERWISE SPECIFIED:	NAME
DIMENSIONS ARE IN INCHES AND [MM]	BEM
MATERIAL	COMMENTS:
FINISH	
DO NOT SCALE DRAWING	

MENCOM CORPORATION		
TITLE:		
SIZE	DWG. NO.	REV
<b>B</b>	MDC-5FP-FW07-R	<b>B</b>
SCALE: 2:1	WEIGHT:	SHEET 1 OF 1